

# Standard series

General catalogue

---

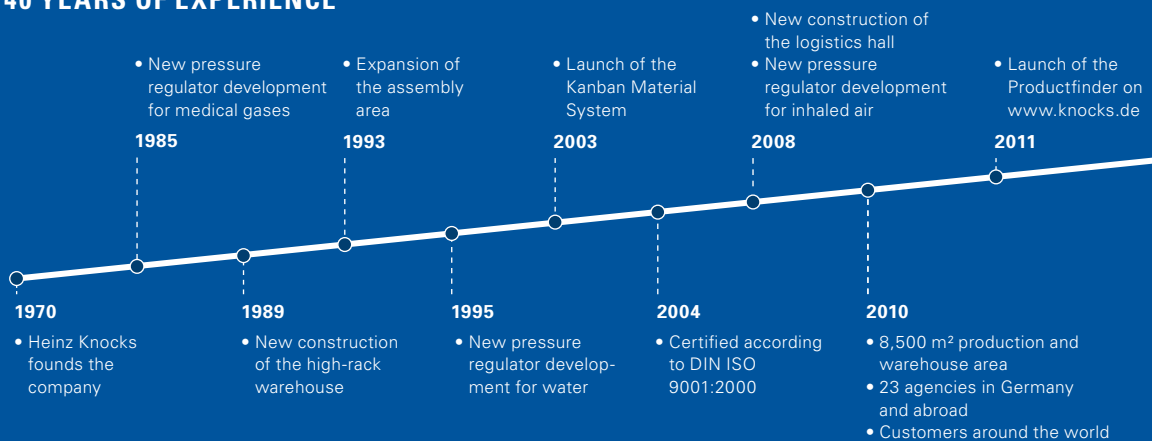
**Robust, solid and extremely tough.**

The KNOCKS Standard series.

# KNOCKS

## Regulation inspiration for you.

### 40 YEARS OF EXPERIENCE



# The Standard series: For toughest requirements.

## ONLY THE BEST IS GOOD ENOUGH FOR YOU?

Do you require intelligent problem solving? We will regulate it! As one of the leading manufacturers of compressed-air regulator systems and filter technology, we have been driving momentum in the industry for over 40 years. We deliver competent answers to your questions in all areas of compressed-air conditioning – providing not only expertise for a competitive edge, but also fair conditions.

## OUR STANDARD SERIES

Our Standard series made of die-cast zinc has proven itself in tough everyday practice. Shockproof, it shows its true size, and not only in terms of its dimensions. The units in this series can master up to 3-inch connections and higher flow rate volumes with absolute assurance.



Our production – professional and committed.



At home in tough everyday practice: the Standard series.

Quality, purity, quantity and composition all play a decisive role in compressed-air conditioning. Each production process has very specific requirements, which the various KNOCKS products of the Standard series fulfil in an individual and highly secure manner.



## Service 3 unit

BG0 | BG1 | BG2 | BG3 | BG5 | BG7 | BG8

## Service 2 unit

BG0 | BG1 | BG2 | BG3 | BG5

## Filter regulator

BG0 | BG1 | BG2 | BG3 | BG5

## Filter

BG0 | BG1 | BG2 | BG3 | BG5 | BG8 | BG9

## Pressure regulator

BG0 | BG1 | BG2 | BG3 | BG5 | BG7 | BG8

## Lubricator

BG0 | BG1 | BG2 | BG3 | BG5 | BG8

## Accessories

BG0 | BG1 | BG2 | BG3 | BG5 | BG7 | BG8 | BG9

## Special products

BG0 | BG1 | BG2 | BG3 | BG5 | BG7 | BG8 | BG9

Service 3 unit

Service 2 unit

Filter regulator

Filter

Pressure regulator

Lubricator

Accessories

Special products

## Service 3 unit | BG1



Image shows:  
9.3011.00.005.0V

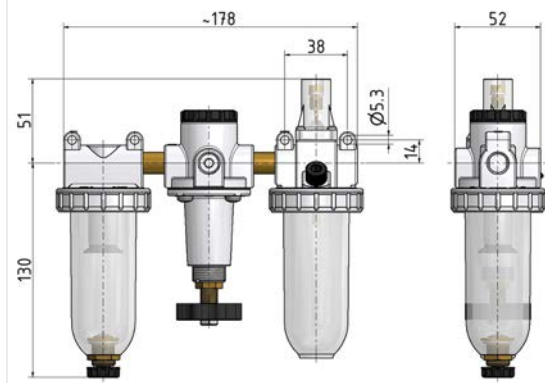
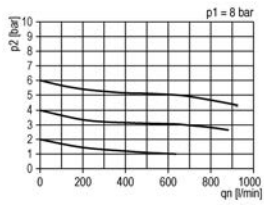
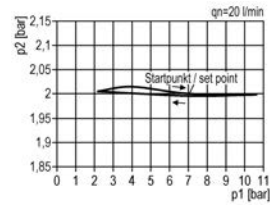


Image shows:  
9.3011.00.005.0V

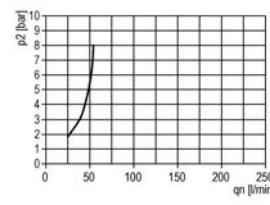
### flow characteristic



### pressure characteristic



### lubricator operating limit



### symbol



### technical data

- **description:** sinter filter centrifugal principle, diaphragm-type pressure with relieving feature, proportional oiler
- **medium:** compressed air, neutral gases
- **supply pressure P1 min.:** 1,5 bar
- **supply pressure P1 max.:** 16 bar
- **temperature range:** 0 - 60°C
- **bowl:** PC
- **drain:** HA3
- **mounting:** vertical
- **filter element:** 5 µm
- **bowl volume lubricator:** 40 cm<sup>3</sup>
- **oil metering qv=1.000l/min:** 1 - 2 drops/min
- **oil type:** CL 32 DIN 51517 - ISO VG 32

### accessories



- **mounting bracket:** [BW.10](#)

- **control panel mounting:** nut DR.11-7

Service 3 unit

Service 2 unit

Filter regulator

Filter

Pressure regulator

Lubricator

System extensions

Accessories

Special products

type	part-number	description
FRO.11 HA3	9.3011.00.005.0V	Service 3 unit G1/4 0,5-10 5µm with PC bowl and semi automatic drain
FRO.11 M HA3	9.3011.00.007.0V	Service 3 unit G1/4 0,5-10 5µm with metal bowl and semi automatic drain
FRO.11 HA3 B	9.3011.00.008.0V	Service 3 unit G1/4 0,5-10 5µm with PC bowl, bowl guard and semi automatic drain
FRO.11 AM10	9.3011.00.010.0V	Service 3 unit G1/4 0,5-10 5µm with PC bowl and automatic drain
FRO.11 M AM10	9.3011.00.012.0V	Service 3 unit G1/4 0,5-10 5µm with metal bowl and automatic drain
FRO.11 AM10 B	9.3011.00.013.0V	Service 3 unit G1/4 0,5-10 5µm with PC bowl, bowl guard and automatic drain
FRO.12 HA3	9.3012.00.005.0V	Service 3 unit G3/8 0,5-10 5µm with PC bowl and semi automatic drain
FRO.12 M HA3	9.3012.00.007.0V	Service 3 unit G3/8 0,5-10 5µm with metal bowl and semi automatic drain
FRO.12 HA3 B	9.3012.00.008.0V	Service 3 unit G3/8 0,5-10 5µm with PC bowl, bowl guard and semi automatic drain
FRO.12 AM10	9.3012.00.010.0V	Service 3 unit G3/8 0,5-10 5µm with PC bowl and automatic drain
FRO.12 M AM10	9.3012.00.012.0V	Service 3 unit G3/8 0,5-10 5µm with metal bowl and automatic drain
FRO.12 AM10 B	9.3012.00.013.0V	Service 3 unit G3/8 0,5-10 5µm with PC bowl, bowl guard and automatic drain

Service 3 unit

Service 2 unit

Filter regulator

Filter

Pressure regulator

Lubricator

System extensions

Accessories

Special products

## Service 3 unit | BG2

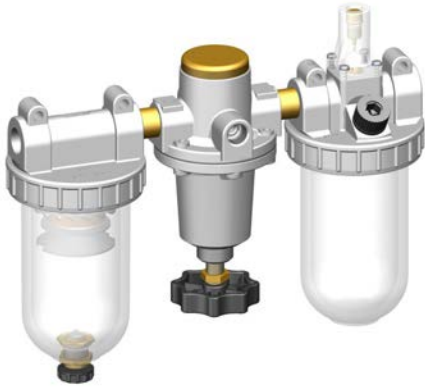


Image shows:  
9.3022.00.125.0V

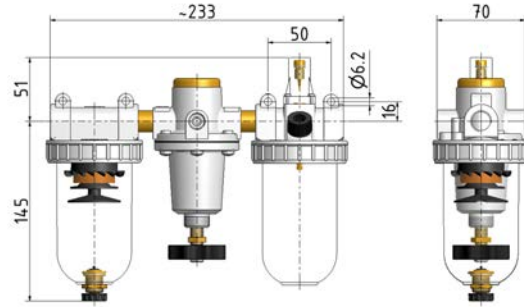
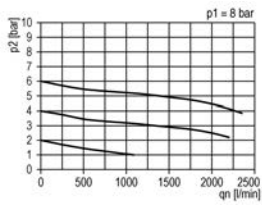
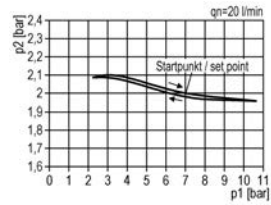


Image shows:  
9.3022.00.125.0V

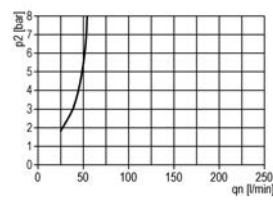
### flow characteristic



### pressure characteristic



### lubricator operating limit



### symbol



### technical data

- **description:** sinter filter centrifugal principle, diaphragm-type pressure with relieving feature, proportional oiler
- **medium:** compressed air, neutral gases
- **supply pressure P1 min.:** 1,5 bar
- **supply pressure P1 max.:** 16 bar
- **temperature range:** 0 - 60°C
- **bowl:** PC
- **drain:** HA3
- **mounting:** vertical
- **filter element:** 40 µm
- **bowl volume lubricator:** 110 cm<sup>3</sup>
- **oil metering qv=1.000/min:** 1 - 2 drops/min
- **oil type:** CL 32 DIN 51517 - ISO VG 32

### accessories



- **mounting bracket:** [BW.20](#)

- **control panel mounting:** nut DR.11-7



type	part-number	description
FRO.22 HA3	9.3022.00.125.0V	Service 3 unit G3/8 0,5-10 40µm with PC bowl and semi automatic drain
FRO.22 M HA3	9.3022.00.127.0V	Service 3 unit G3/8 0,5-10 40µm with metal bowl and semi automatic drain
FRO.22 HA3 B	9.3022.00.128.0V	Service 3 unit G3/8 0,5-10 40µm with PC bowl, bowl guard and semi automatic drain
FRO.22 AM10	9.3022.00.130.0V	Service 3 unit G3/8 0,5-10 40µm with PC bowl and automatic drain
FRO.22 M AM10	9.3022.00.132.0V	Service 3 unit G3/8 0,5-10 40µm with metal bowl and automatic drain
FRO.22 AM10 B	9.3022.00.133.0V	Service 3 unit G3/8 0,5-10 40µm with PC bowl, bowl guard and automatic drain
FRO.23 HA3	9.3023.00.125.0V	Service 3 unit G1/2 0,5-10 40µm with PC bowl and semi automatic drain
FRO.23 M HA3	9.3023.00.127.0V	Service 3 unit G1/2 0,5-10 40µm with metal bowl and semi automatic drain
FRO.23 HA3 B	9.3023.00.128.0V	Service 3 unit G1/2 0,5-10 40µm with PC bowl, bowl guard and semi automatic drain
FRO.23 AM10	9.3023.00.130.0V	Service 3 unit G1/2 0,5-10 40µm with PC bowl and automatic drain
FRO.23 M AM10	9.3023.00.132.0V	Service 3 unit G1/2 0,5-10 40µm with metal bowl and automatic drain
FRO.23 AM10 B	9.3023.00.133.0V	Service 3 unit G1/2 0,5-10 40µm with PC bowl, bowl guard and automatic drain

Service 3 unit

Service 2 unit

Filter regulator

Filter

Pressure regulator

Lubricator

System extensions

Accessories

Special products

## Service 3 unit | BG3

Service 3 unit

Service 2 unit

Filter regulator

Filter

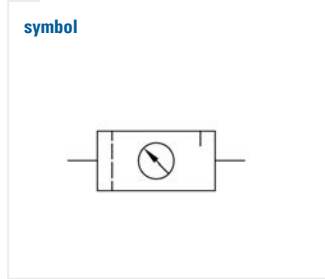
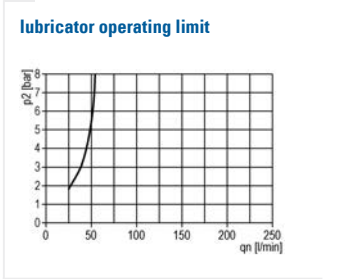
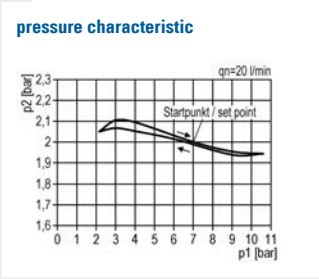
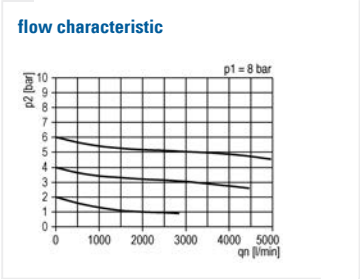
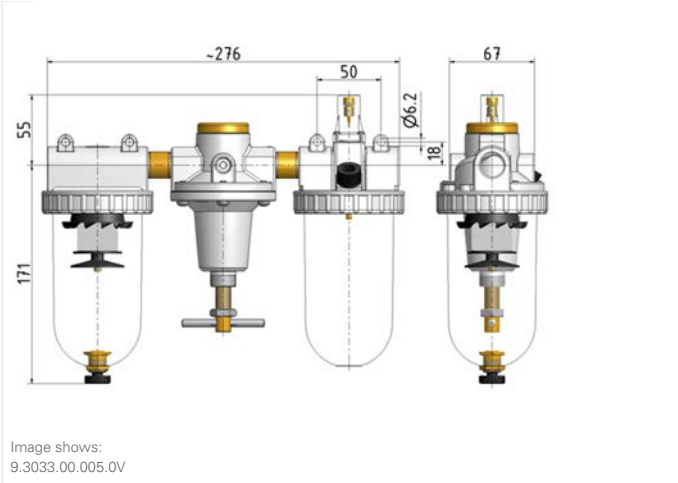
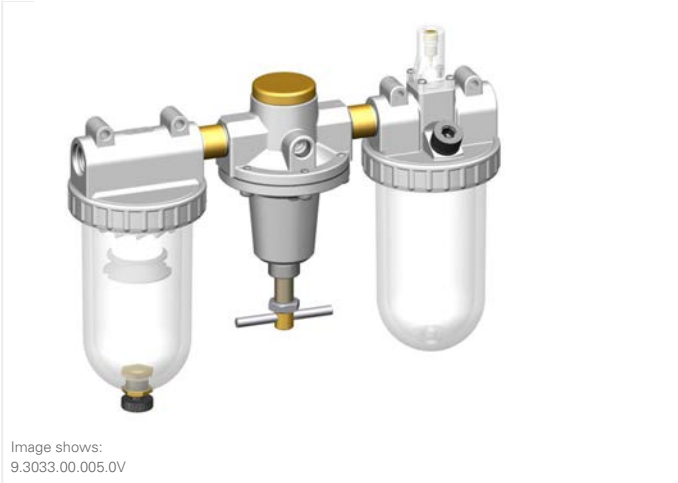
Pressure regulator

Lubricator

System extensions

Accessories

Special products



**technical data**

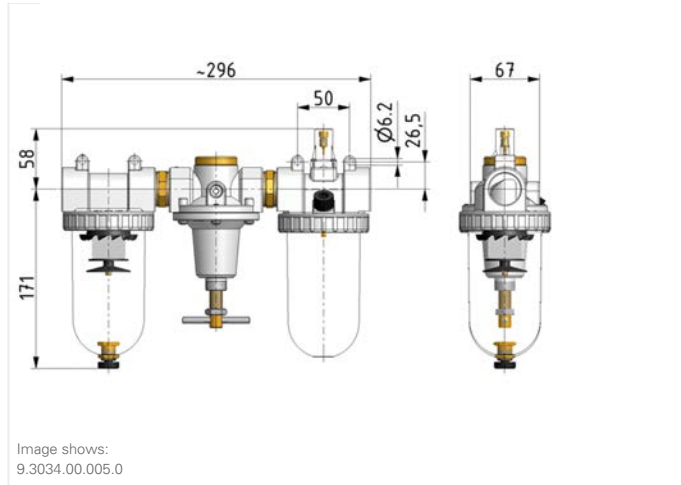
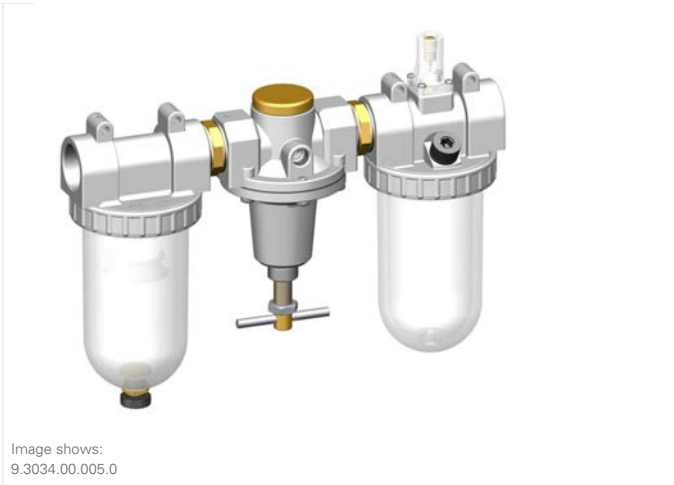
- **description:** sinter filter centrifugal principle, diaphragm-type pressure with relieving feature, proportional oiler
- **medium:** compressed air, neutral gases
- **supply pressure P1 min.:** 1,5 bar
- **supply pressure P1 max.:** 16 bar
- **temperature range:** 0 - 60°C
- **bowl:** PC
- **drain:** HA3
- **mounting:** vertical
- **filter element:** 5 µm
- **bowl volume lubricator:** 135 cm<sup>3</sup>
- **oil metering qv=1.000l/min:** 1 - 2 drops/min
- **oil type:** CL 32 DIN 51517 - ISO VG 32

**accessories**

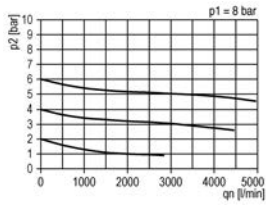
- **mounting bracket:** [BW.30](#)
- **control panel mounting:** nut DR.11-7

type	part-number	description
FRO.33 HA3	9.3033.00.005.0V	Service 3 unit G1/2 0,5-10 5µm with PC bowl and semi automatic drain
FRO.33 M HA3	9.3033.00.007.0V	Service 3 unit G1/2 0,5-10 5µm with metal bowl and semi automatic drain
FRO.33 HA3 B	9.3033.00.008.0V	Service 3 unit G1/2 0,5-10 5µm with PC bowl, bowl guard and semi automatic drain
FRO.33 AM10	9.3033.00.010.0V	Service 3 unit G1/2 0,5-10 5µm with PC bowl and automatic drain
FRO.33 M AM10	9.3033.00.012.0V	Service 3 unit G1/2 0,5-10 5µm with metal bowl and automatic drain
FRO.33 AM10 B	9.3033.00.013.0V	Service 3 unit G1/2 0,5-10 5µm with PC bowl, bowl guard and automatic drain

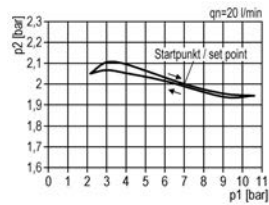
## Service 3 unit | BG3



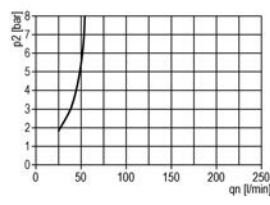
### flow characteristic



### pressure characteristic



### lubricator operating limit



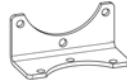
### symbol



### technical data

- **description:** sinter filter centrifugal principle, diaphragm-type pressure with relieving feature, proportional oiler
- **medium:** compressed air, neutral gases
- **supply pressure P1 min.:** 1,5 bar
- **supply pressure P1 max.:** 16 bar
- **temperature range:** 0 - 60°C
- **bowl:** PC
- **drain:** HA3
- **mounting:** vertical
- **filter element:** 5 µm
- **bowl volume lubricator:** 135 cm<sup>3</sup>
- **oil metering qv=1.000l/min:** 1 - 2 drops/min
- **oil type:** CL 32 DIN 51517 - ISO VG 32

### accessories



- mounting bracket: [BW.30](#)

- control panel mounting: nut DR.11-7

Service 3 unit

Service 2 unit

Filter regulator

Filter

Pressure regulator

Lubricator

System extensions

Accessories

Special products

type	part-number	description
FRO.34 HA3	9.3034.00.005.0	Service 3 unit G3/4 0,5-10 5µm with PC bowl and semi automatic drain
FRO.34 M HA3	9.3034.00.007.0	Service 3 unit G3/4 0,5-10 5µm with metal bowl and semi automatic drain
FRO.34 HA3 B	9.3034.00.008.0	Service 3 unit G3/4 0,5-10 5µm with PC bowl, bowl guard and semi automatic drain
FRO.34 AM10	9.3034.00.010.0	Service 3 unit G3/4 0,5-10 5µm with PC bowl and automatic drain
FRO.34 M AM10	9.3034.00.012.0	Service 3 unit G3/4 0,5-10 5µm with metal bowl and automatic drain
FRO.34 AM10 B	9.3034.00.013.0	Service 3 unit G3/4 0,5-10 5µm with PC bowl, bowl guard and automatic drain
FRO.35 HA3	9.3035.00.005.0	Service 3 unit G1 0,5-10 5µm with PC bowl and semi automatic drain
FRO.35 M HA3	9.3035.00.007.0	Service 3 unit G1 0,5-10 5µm with metal bowl and semi automatic drain
FRO.35 HA3 B	9.3035.00.008.0	Service 3 unit G1 0,5-10 5µm with PC bowl, bowl guard and semi automatic drain
FRO.35 AM10	9.3035.00.010.0	Service 3 unit G1 0,5-10 5µm with PC bowl and automatic drain
FRO.35 M AM10	9.3035.00.012.0	Service 3 unit G1 0,5-10 5µm with metal bowl and automatic drain
FRO.35 AM10 B	9.3035.00.013.0	Service 3 unit G1 0,5-10 5µm with PC bowl, bowl guard and automatic drain

## Service 3 unit | BG5

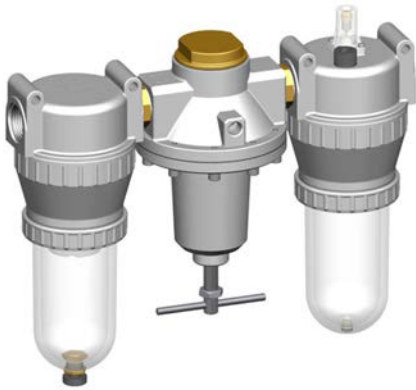


Image shows:  
9.3055.00.125.0

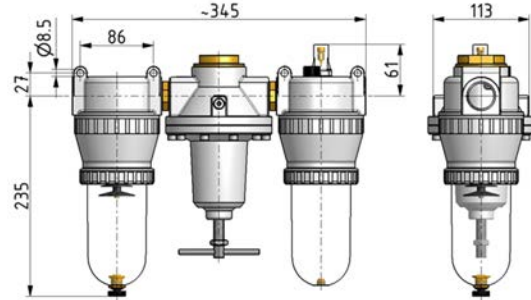
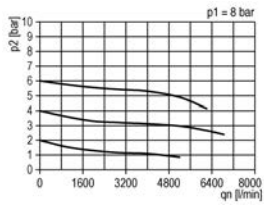
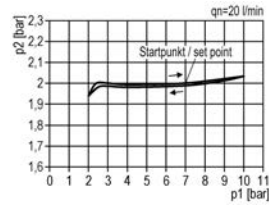


Image shows:  
9.3055.00.125.0

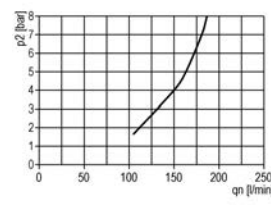
### flow characteristic



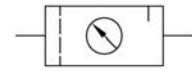
### pressure characteristic



### lubricator operating limit



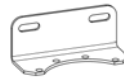
### symbol



### technical data

- **description:** sinter filter centrifugal principle, diaphragm-type pressure with relieving feature, proportional oiler
- **medium:** compressed air, neutral gases
- **supply pressure P1 min.:** 1,5 bar
- **supply pressure P1 max.:** 16 bar
- **temperature range:** 0 - 60°C
- **bowl:** PC
- **drain:** HA3
- **mounting:** vertical
- **filter element:** 40 µm
- **bowl volume lubricator:** 550 cm<sup>3</sup>
- **oil metering qv=1.000l/min:** 1 - 2 drops/min
- **oil type:** CL 32 DIN 51517 - ISO VG 32

### accessories



- **mounting bracket:** [BW.50](#)

type	part-number	description
FRO.55 HA3	9.3055.00.125.0	Service 3 unit G1 0,5-10 40µm with PC bowl and semi automatic drain
FRO.55 M HA3	9.3055.00.127.0	Service 3 unit G1 0,5-10 40µm with metal bowl and semi automatic drain
FRO.55 HA3 B	9.3055.00.128.0	Service 3 unit G1 0,5-10 40µm with PC bowl, bowl guard and semi automatic drain
FRO.55 AM10	9.3055.00.130.0	Service 3 unit G1 0,5-10 40µm with PC bowl and automatic drain
FRO.55 M AM10	9.3055.00.132.0	Service 3 unit G1 0,5-10 40µm with metal bowl and automatic drain
FRO.55 AM10 B	9.3055.00.133.0	Service 3 unit G1 0,5-10 40µm with PC bowl, bowl guard and automatic drain

Service 3 unit

Service 2 unit

Filter regulator

Filter

Pressure regulator

Lubricator

System extensions

Accessories

Special products

## Service 3 unit | BG8



Image shows:  
9.3088.00.125.0

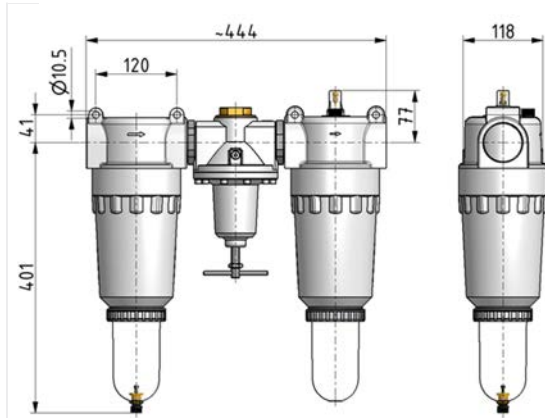
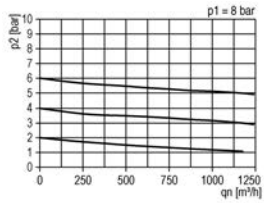
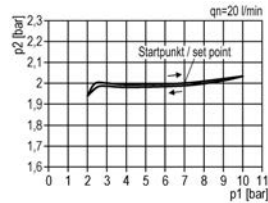


Image shows:  
9.3088.00.125.0

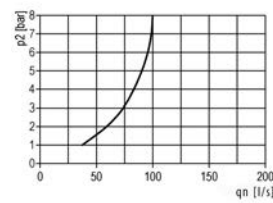
### flow characteristic



### pressure characteristic



### lubricator operating limit



### symbol



### technical data

- **description:** sinter filter centrifugal principle, diaphragm-type pressure with relieving feature, proportional oiler
- **medium:** compressed air, neutral gases
- **supply pressure P1 min.:** 1,5 bar
- **supply pressure P1 max.:** 16 bar
- **temperature range:** 0 - 60°C
- **bowl:** PC
- **drain:** HA3
- **mounting:** vertical
- **filter element:** 60 µm
- **bowl volume lubricator:** 1700 cm<sup>3</sup>
- **oil metering qv=1.000l/min:** 1 - 2 drops/min
- **oil type:** CL 32 DIN 51517 - ISO VG 32

### accessories

- **mounting bracket:** [BW.50](#)

type	part-number	description
FRO.88 HA3	9.3088.00.125.0	Service 3 unit G2 0,5-10 60µm with PC bowl and semi automatic drain
FRO.88 M HA3	9.3088.00.127.0	Service 3 unit G2 0,5-10 60µm with metal bowl and semi automatic drain
FRO.88 HA3 B	9.3088.00.128.0	Service 3 unit G2 0,5-10 60µm with PC bowl, bowl guard and semi automatic drain
FRO.88 AM10	9.3088.00.130.0	Service 3 unit G2 0,5-10 60µm with PC bowl and automatic drain
FRO.88 M AM10	9.3088.00.132.0	Service 3 unit G2 0,5-10 60µm with metal bowl and automatic drain
FRO.88 AM10 B	9.3088.00.133.0	Service 3 unit G2 0,5-10 60µm with PC bowl, bowl guard and automatic drain

## Service 2 unit | BGO



Image shows:  
9.3100.00.005.0V

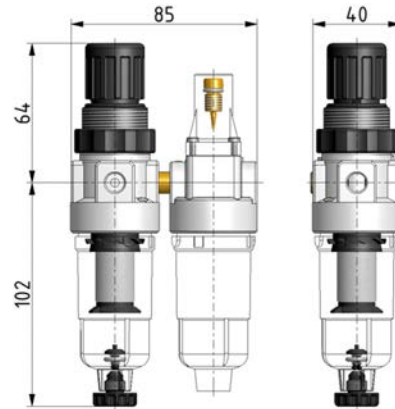
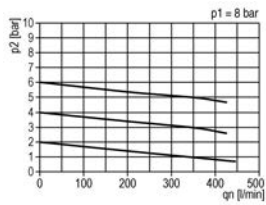
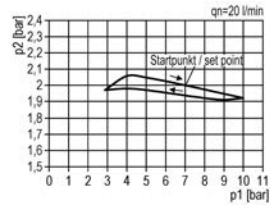


Image shows:  
9.3100.00.005.0V

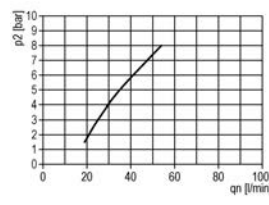
### flow characteristic



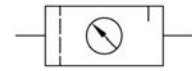
### pressure characteristic



### lubricator operating limit



### symbol



### technical data

- **description:** sinter filter centrifugal principle, diaphragm-type pressure with relieving feature, proportional oiler
- **medium:** compressed air, neutral gases
- **supply pressure P1 min.:** 1,5 bar
- **supply pressure P1 max.:** 16 bar
- **temperature range:** 0 - 60°C
- **bowl:** PC
- **drain:** HA
- **mounting:** vertical
- **filter element:** 5 µm
- **bowl volume lubricator:** 17 cm<sup>3</sup>
- **oil metering qv=1.000l/min:** 1 - 2 drops/min
- **oil type:** CL 32 DIN 51517 - ISO VG 32

### accessories



- **control panel mounting:**  
[WH.M.30/DR.00-34](#)

type	part-number	description
FDO.00 HA4	9.3100.00.005.0V	Service 2 unit G1/8 0,5-10 5µm with PC bowl and semi automatic drain
FDO.00 M HA4	9.3100.00.007.0V	Service 2 unit G1/8 0,5-10 5µm with metal bowl and semi automatic drain
FDO.01 HA4	9.3101.00.005.0	Service 2 unit G1/4 0,5-10 5µm with PC bowl and semi automatic drain
FDO.01 M HA4	9.3101.00.007.0V	Service 2 unit G1/4 0,5-10 5µm with metal bowl and semi automatic drain

Service 3 unit

Service 2 unit

Filter regulator

Filter

Pressure regulator

Lubricator

System extensions

Accessories

Special products

## Service 2 unit | BG1



Image shows:  
9.3111.00.005.0V

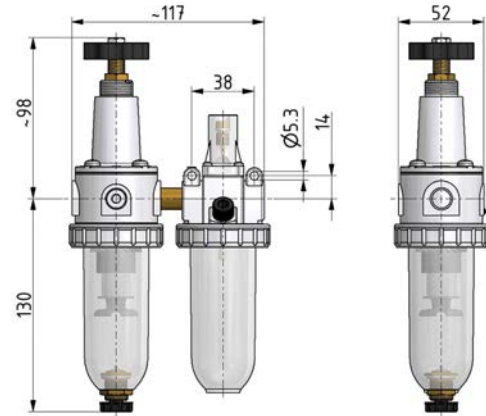
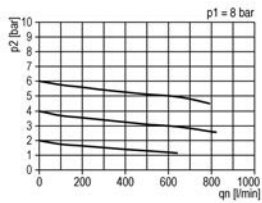
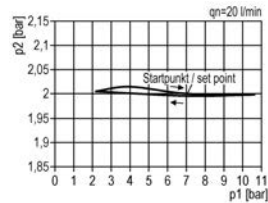


Image shows:  
9.3111.00.005.0V

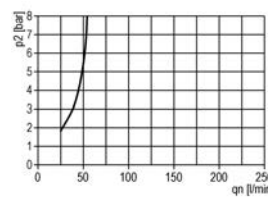
### flow characteristic



### pressure characteristic



### lubricator operating limit



### symbol



### technical data

- **description:** sinter filter centrifugal principle, diaphragm-type pressure with relieving feature, proportional oiler
- **medium:** compressed air, neutral gases
- **supply pressure P1 min.:** 1,5 bar
- **supply pressure P1 max.:** 16 bar
- **temperature range:** 0 - 60°C
- **bowl:** PC
- **drain:** HA3
- **mounting:** vertical
- **filter element:** 5 µm
- **bowl volume lubricator:** 40 cm<sup>3</sup>
- **oil metering qv=1.000l/min:** 1 - 2 drops/min
- **oil type:** CL 32 DIN 51517 - ISO VG 32

### accessories



- **mounting bracket:** [BW.10](#)

- **control panel mounting:** nut DR.11-7

type	part-number	description
FDO.11 HA3	9.3111.00.005.0V	Service 2 unit G1/4 0,5-10 5µm with PC bowl and semi automatic drain
FDO.11 M HA3	9.3111.00.007.0V	Service 2 unit G1/4 0,5-10 5µm with metal bowl and semi automatic drain
FDO.11 HA3 B	9.3111.00.008.0V	Service 2 unit G1/4 0,5-10 5µm with PC bowl, bowl guard and semi automatic drain
FDO.12 HA3	9.3112.00.005.0V	Service 2 unit G3/8 0,5-10 5µm with PC bowl and semi automatic drain
FDO.12 M HA3	9.3112.00.007.0V	Service 2 unit G3/8 0,5-10 5µm with metal bowl and semi automatic drain
FDO.12 HA3 B	9.3112.00.008.0V	Service 2 unit G3/8 0,5-10 5µm with PC bowl, bowl guard and semi automatic drain



## Service 2 unit | BG2



Image shows:  
9.3122.00.125.0V

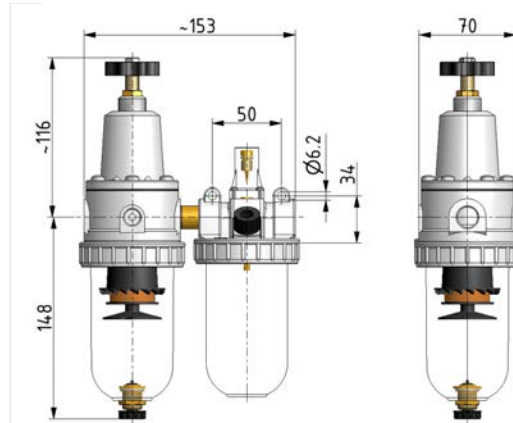
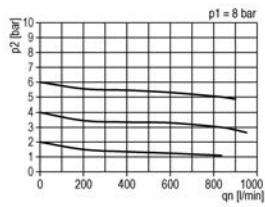
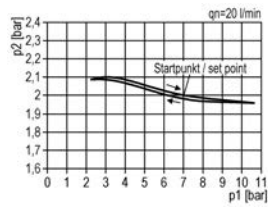


Image shows:  
9.3122.00.125.0V

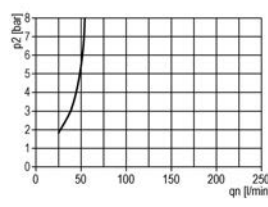
### flow characteristic



### pressure characteristic



### lubricator operating limit



### symbol



### technical data

- **description:** sinter filter centrifugal principle, diaphragm-type pressure with relieving feature, proportional oiler
- **medium:** compressed air, neutral gases
- **supply pressure P1 min.:** 1,5 bar
- **supply pressure P1 max.:** 16 bar
- **temperature range:** 0 - 60°C
- **bowl:** PC
- **drain:** HA3
- **mounting:** vertical
- **filter element:** 40 µm
- **bowl volume lubricator:** 110 cm<sup>3</sup>
- **oil metering qv=1.000l/min:** 1 - 2 drops/min
- **oil type:** CL 32 DIN 51517 - ISO VG 32

### accessories



- **mounting bracket:** [BW.20](#)

- **control panel mounting:** nut DR.11-7

Service 3 unit

Service 2 unit

Filter regulator

Filter

Pressure regulator

Lubricator

System extensions

Accessories

Special products

type	part-number	description
FDO.22 HA3	9.3122.00.125.0V	Service 2 unit G3/8 0,5-10 40µm with PC bowl and semi automatic drain
FDO.22 M HA3	9.3122.00.127.0V	Service 2 unit G3/8 0,5-10 40µm with metal bowl and semi automatic drain
FDO.22 HA3 B	9.3122.00.128.0V	Service 2 unit G3/8 0,5-10 40µm with PC bowl, bowl guard and semi automatic drain
FDO.22 AM10	9.3122.00.130.0V	Service 2 unit G3/8 0,5-10 40µm with PC bowl and automatic drain
FDO.22 M AM10	9.3122.00.132.0V	Service 2 unit G3/8 0,5-10 40µm with metal bowl and automatic drain
FDO.22 AM10 B	9.3122.00.133.0V	Service 2 unit G3/8 0,5-10 40µm with PC bowl, bowl guard and automatic drain
FDO.23 HA3	9.3123.00.125.0V	Service 2 unit G1/2 0,5-10 40µm with PC bowl and semi automatic drain
FDO.23 M HA3	9.3123.00.127.0V	Service 2 unit G1/2 0,5-10 40µm with metal bowl and semi automatic drain
FDO.23 HA3 B	9.3123.00.128.0V	Service 2 unit G1/2 0,5-10 40µm with PC bowl, bowl guard and semi automatic drain
FDO.23 AM10	9.3123.00.130.0V	Service 2 unit G1/2 0,5-10 40µm with PC bowl and automatic drain
FDO.23 M AM10	9.3123.00.132.0V	Service 2 unit G1/2 0,5-10 40µm with metal bowl and automatic drain
FDO.23 AM10 B	9.3123.00.133.0V	Service 2 unit G1/2 0,5-10 40µm with PC bowl, bowl guard and automatic drain

Service 3 unit

Service 2 unit

Filter regulator

Filter

Pressure regulator

Lubricator

System extensions

Accessories

Special products

## Service 2 unit | BG3



Image shows:  
9.3133.00.005.0V

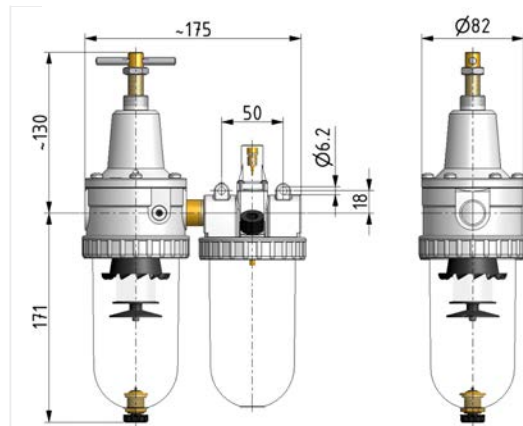
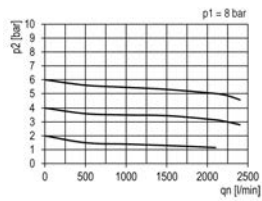
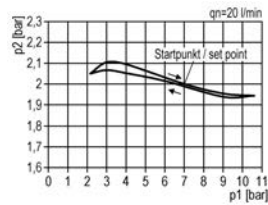


Image shows:  
9.3133.00.005.0V

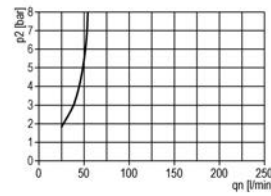
### flow characteristic



### pressure characteristic



### lubricator operating limit



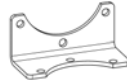
### symbol



### technical data

- **description:** sinter filter centrifugal principle, diaphragm-type pressure with relieving feature, proportional oiler
- **medium:** compressed air, neutral gases
- **supply pressure P1 min.:** 1,5 bar
- **supply pressure P1 max.:** 16 bar
- **temperature range:** 0 - 60°C
- **bowl:** PC
- **drain:** HA3
- **mounting:** vertical
- **filter element:** 5 µm
- **bowl volume lubricator:** 135 cm<sup>3</sup>
- **oil metering qv=1.000l/min:** 1 - 2 drops/min
- **oil type:** CL 32 DIN 51517 - ISO VG 32

### accessories



- **mounting bracket:** [BW.30](#)

- **control panel mounting:** nut DR.11-7

type	part-number	description
FDO.33 HA3	9.3133.00.005.0V	Service 2 unit G1/2 0,5-10 5µm with PC bowl and semi automatic drain
FDO.33 M HA3	9.3133.00.007.0V	Service 2 unit G1/2 0,5-10 5µm with metal bowl and semi automatic drain
FDO.33 HA3 B	9.3133.00.008.0V	Service 2 unit G1/2 0,5-10 5µm with PC bowl, bowl guard and semi automatic drain
FDO.33 AM10	9.3133.00.010.0V	Service 2 unit G1/2 0,5-10 5µm with PC bowl and automatic drain
FDO.33 M AM10	9.3133.00.012.0V	Service 2 unit G1/2 0,5-10 5µm with metal bowl and automatic drain
FDO.33 AM10 B	9.3133.00.013.0V	Service 2 unit G1/2 0,5-10 5µm with PC bowl, bowl guard and automatic drain

Service 3 unit

Service 2 unit

Filter regulator

Filter

Pressure regulator

Lubricator

System extensions

Accessories

Special products

## Service 2 unit | BG5



Image shows:  
9.3154.00.125.0

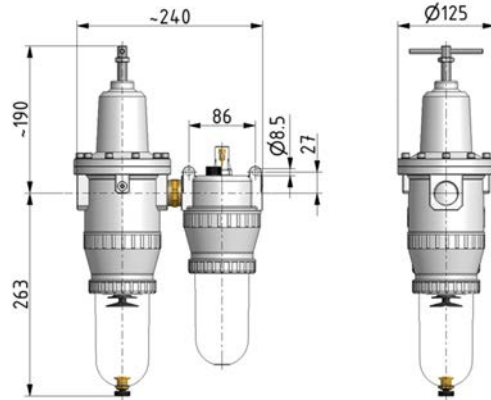
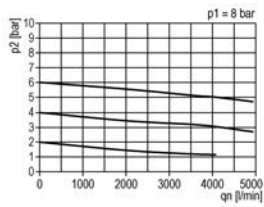
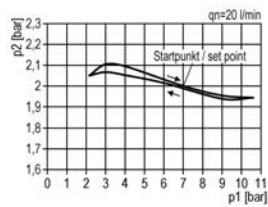


Image shows:  
9.3154.00.125.0

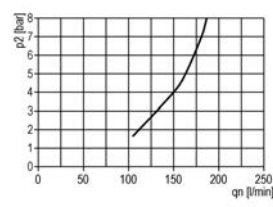
### flow characteristic



### pressure characteristic



### lubricator operating limit



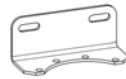
### symbol



### technical data

- **description:** sinter filter centrifugal principle, diaphragm-type pressure with relieving feature, proportional oiler
- **medium:** compressed air, neutral gases
- **supply pressure P1 min.:** 1,5 bar
- **supply pressure P1 max.:** 16 bar
- **temperature range:** 0 - 60°C
- **bowl:** PC
- **drain:** HA3
- **mounting:** vertical
- **filter element:** 40 µm
- **bowl volume lubricator:** 550 cm<sup>3</sup>
- **oil metering qv=1.000l/min:** 1 - 2 drops/min
- **oil type:** CL 32 DIN 51517 - ISO VG 32

### accessories



- **mounting bracket:** [BW.50](#)

Service 3 unit

Service 2 unit

Filter regulator

Filter

Pressure regulator

Lubricator

System extensions

Accessories

Special products

type	part-number	description
FDO.54 HA3	9.3154.00.125.0	Service 2 unit G3/4 0,5-10 40µm with PC bowl and semi automatic drain
FDO.54 M HA3	9.3154.00.127.0	Service 2 unit G3/4 0,5-10 40µm with metal bowl and semi automatic drain
FDO.54 HA3 B	9.3154.00.128.0	Service 2 unit G3/4 0,5-10 40µm with PC bowl, bowl guard and semi automatic drain
FDO.54 AM10	9.3154.00.130.0	Service 2 unit G3/4 0,5-10 40µm with PC bowl and automatic drain
FDO.54 M AM10	9.3154.00.132.0	Service 2 unit G3/4 0,5-10 40µm with metal bowl and automatic drain
FDO.54 AM10 B	9.3154.00.133.0	Service 2 unit G3/4 0,5-10 40µm with PC bowl, bowl guard and automatic drain
FDO.55 HA3	9.3155.00.125.0	Service 2 unit G1 0,5-10 40µm with PC bowl and semi automatic drain
FDO.55 M HA3	9.3155.00.127.0	Service 2 unit G1 0,5-10 40µm with metal bowl and semi automatic drain
FDO.55 HA3 B	9.3155.00.128.0	Service 2 unit G1 0,5-10 40µm with PC bowl, bowl guard and semi automatic drain
FDO.55 AM10	9.3155.00.130.0	Service 2 unit G1 0,5-10 40µm with PC bowl and automatic drain
FDO.55 M AM10	9.3155.00.132.0	Service 2 unit G1 0,5-10 40µm with metal bowl and automatic drain
FDO.55 AM10 B	9.3155.00.133.0	Service 2 unit G1 0,5-10 40µm with PC bowl, bowl guard and automatic drain

Service 3 unit

Service 2 unit

Filter regulator

Filter

Pressure regulator

Lubricator

System extensions

Accessories

Special products

## Filter regulator | BGO

Service 3 unit

Service 2 unit



Image shows:  
9.1900.00.005.0V

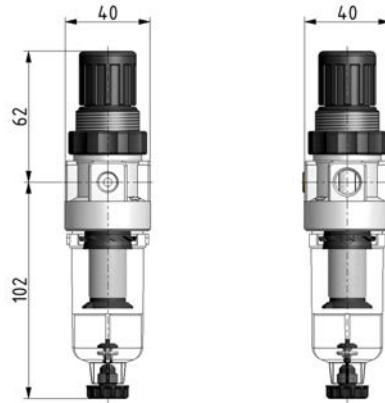
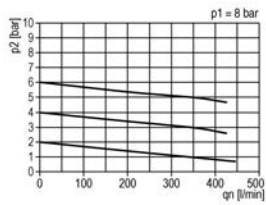


Image shows:  
9.1900.00.005.0V

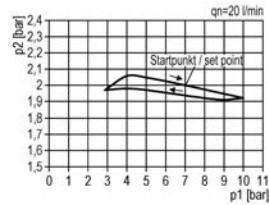
Filter regulator

Filter

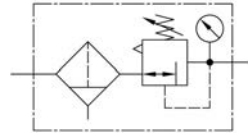
### flow characteristic



### pressure characteristic



### symbol



Pressure regulator

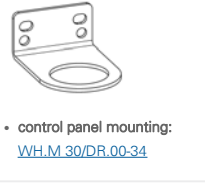
Lubricator

System extensions

### technical data

- **description:** sinter filter centrifugal principle, diaphragm-type pressure with relieving feature
- **medium:** compressed air, neutral gases
- **supply pressure P1 min.:** 1,5 bar
- **supply pressure P1 max.:** 16 bar
- **temperature range:** 0 - 60°C
- **bowl:** PC
- **drain:** HA
- **mounting:** vertical
- **filter element:** 5 µm

### accessories



- **control panel mounting:**  
[WH.M.30/DR.00-34](#)

Accessories

Special products

type	part-number	description
FD.00 HA4	9.1900.00.005.0V	Filter regulator G1/8 0,5-10 5µm with PC bowl and semi automatic drain
FD.00 M HA4	9.1900.00.007.0V	Filter regulator G1/8 0,5-10 5µm with metal bowl and semi automatic drain
FD.01 HA4	9.1901.00.005.0V	Filter regulator G1/4 0,5-10 5µm with PC bowl and semi automatic drain
FD.01 M HA4	9.1901.00.007.0V	Filter regulator G1/4 0,5-10 5µm with metal bowl and semi automatic drain

# Filter regulator | BG1



Image shows:  
9.1911.00.005.0V

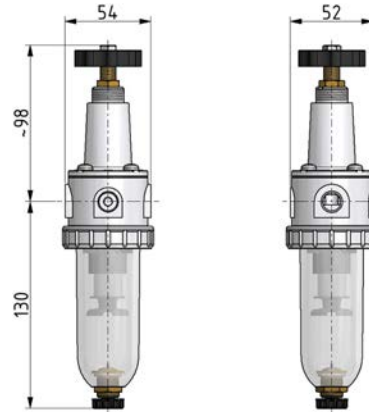
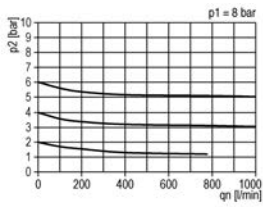
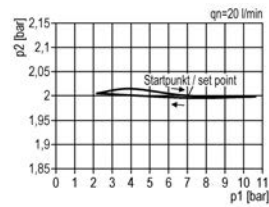


Image shows:  
9.1911.00.005.0V

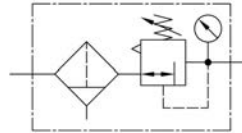
### flow characteristic



### pressure characteristic



### symbol



### technical data

- **description:** sinter filter centrifugal principle, diaphragm-type pressure with relieving feature
- **medium:** compressed air, neutral gases
- **supply pressure P1 min.:** 1,5 bar
- **supply pressure P1 max.:** 16 bar
- **temperature range:** 0 - 60°C
- **bowl:** PC
- **drain:** HA3
- **mounting:** vertical
- **filter element:** 5 µm

### accessories



- **mounting bracket:** [BW.10](#)

- **control panel mounting:** nut DR.11-7

type	part-number	description
FD.11 HA3	9.1911.00.005.0V	Filter regulator G1/4 0,5-10 5µm with PC bowl and semi automatic drain
FD.11 M HA3	9.1911.00.007.0V	Filter regulator G1/4 0,5-10 5µm with metal bowl and semi automatic drain
FD.11 HA3 B	9.1911.00.008.0V	Filter regulator G1/4 0,5-10 5µm with PC bowl, bowl guard and semi automatic drain
FD.12 HA3	9.1912.00.005.0V	Filter regulator G3/8 0,5-10 5µm with PC bowl and semi automatic drain
FD.12 M HA3	9.1912.00.007.0V	Filter regulator G3/8 0,5-10 5µm with metal bowl and semi automatic drain
FD.12 HA3 B	9.1912.00.008.0V	Filter regulator G3/8 0,5-10 5µm with PC bowl, bowl guard and semi automatic drain

Service 3 unit

Service 2 unit

Filter regulator

Filter

Pressure regulator

Lubricator

System extensions

Accessories

Special products

## Filter regulator | BG2



Image shows:  
9.1922.00.125.0V

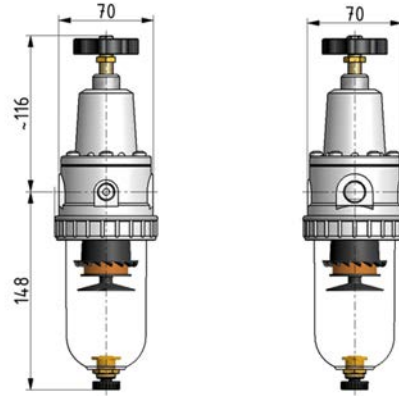
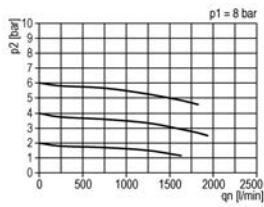
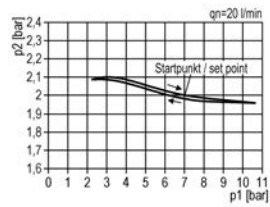


Image shows:  
9.1922.00.125.0V

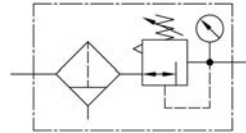
### flow characteristic



### pressure characteristic



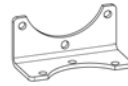
### symbol



### technical data

- **description:** sinter filter centrifugal principle, diaphragm-type pressure with relieving feature
- **medium:** compressed air, neutral gases
- **supply pressure P1 min.:** 1,5 bar
- **supply pressure P1 max.:** 16 bar
- **temperature range:** 0 - 60°C
- **bowl:** PC
- **drain:** HA3
- **mounting:** vertical
- **filter element:** 40 µm

### accessories



- **mounting bracket:** [BW.30](#)

- **control panel mounting:** nut DR.11-7

Service 3 unit

Service 2 unit

Filter regulator

Filter

Pressure regulator

Lubricator

System extensions

Accessories

Special products



type	part-number	description
FD.22 HA3	9.1922.00.125.0V	Filter regulator G3/8 0,5-10 40µm with PC bowl and semi automatic drain
FD.22 M HA3	9.1922.00.127.0V	Filter regulator G3/8 0,5-10 40µm with metal bowl and semi automatic drain
FD.22 HA3 B	9.1922.00.128.0V	Filter regulator G3/8 0,5-10 40µm with PC bowl, bowl guard and semi automatic drain
FD.22 AM10	9.1922.00.130.0V	Filter regulator G3/8 0,5-10 40µm with PC bowl and automatic drain
FD.22 M AM10	9.1922.00.132.0V	Filter regulator G3/8 0,5-10 40µm with metal bowl and automatic drain
FD.22 AM10 B	9.1922.00.133.0V	Filter regulator G3/8 0,5-10 40µm with PC bowl, bowl guard and automatic drain
FD.23 HA3	9.1923.00.125.0V	Filter regulator G1/2 0,5-10 40µm with PC bowl and semi automatic drain
FD.23 M HA3	9.1923.00.127.0V	Filter regulator G1/2 0,5-10 40µm with metal bowl and semi automatic drain
FD.23 HA3 B	9.1923.00.128.0V	Filter regulator G1/2 0,5-10 40µm with PC bowl, bowl guard and semi automatic drain
FD.23 AM10	9.1923.00.130.0V	Filter regulator G1/2 0,5-10 40µm with PC bowl and automatic drain
FD.23 M AM10	9.1923.00.132.0V	Filter regulator G1/2 0,5-10 40µm with metal bowl and automatic drain
FD.23 AM10 B	9.1923.00.133.0V	Filter regulator G1/2 0,5-10 40µm with PC bowl, bowl guard and automatic drain

Service 3 unit

Service 2 unit

Filter regulator

Filter

Pressure regulator

Lubricator

System extensions

Accessories

Special products

# Filter regulator | BG3



Image shows:  
9.1933.00.005.0V

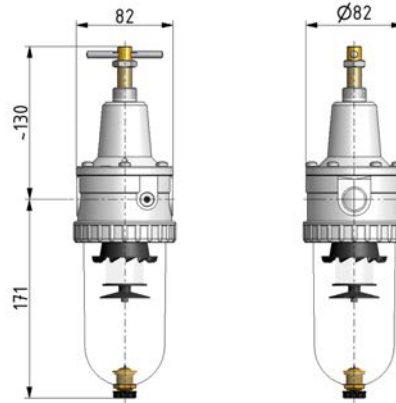
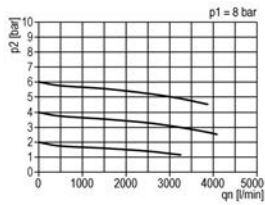
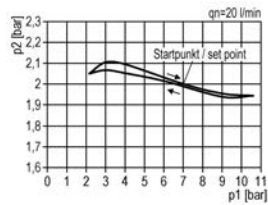


Image shows:  
9.1933.00.005.0V

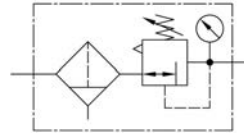
### flow characteristic



### pressure characteristic



### symbol



### technical data

- **description:** sinter filter centrifugal principle, diaphragm-type pressure with relieving feature
- **medium:** compressed air, neutral gases
- **supply pressure P1 min.:** 1,5 bar
- **supply pressure P1 max.:** 16 bar
- **temperature range:** 0 - 60°C
- **bowl:** PC
- **drain:** HA3
- **mounting:** vertical
- **filter element:** 5 µm

### accessories

- **mounting bracket:** [BW.30](#)
- **control panel mounting:** nut DR.11-7

type	part-number	description
FD.33 HA3	9.1933.00.005.0V	Filter regulator G1/2 0,5-10 5µm with PC bowl and semi automatic drain
FD.33 M HA3	9.1933.00.007.0V	Filter regulator G1/2 0,5-10 5µm with metal bowl and semi automatic drain
FD.33 HA3 B	9.1933.00.008.0V	Filter regulator G1/2 0,5-10 5µm with PC bowl, bowl guard and semi automatic drain
FD.33 AM10	9.1933.00.010.0V	Filter regulator G1/2 0,5-10 5µm with PC bowl and automatic drain
FD.33 M AM10	9.1933.00.012.0V	Filter regulator G1/2 0,5-10 5µm with metal bowl and automatic drain
FD.33 AM10 B	9.1933.00.013.0V	Filter regulator G1/2 0,5-10 5µm with PC bowl, bowl guard and automatic drain

## Filter regulator | BG5



Image shows:  
9.1954.00.125.0

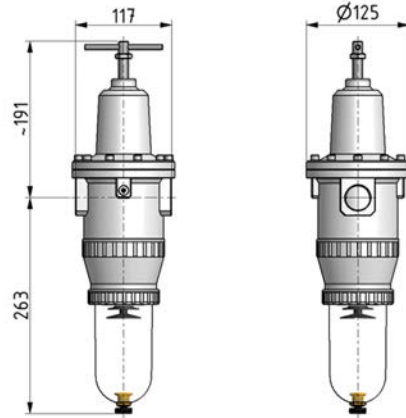
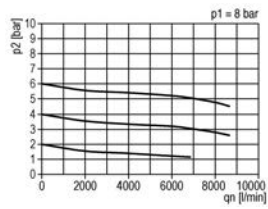
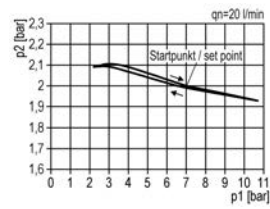


Image shows:  
9.1954.00.125.0

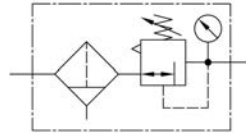
### flow characteristic



### pressure characteristic



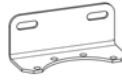
### symbol



### technical data

- **description:** sinter filter centrifugal principle, diaphragm-type pressure with relieving feature
- **medium:** compressed air, neutral gases
- **supply pressure P1 min.:** 1,5 bar
- **supply pressure P1 max.:** 16 bar
- **temperature range:** 0 - 60°C
- **bowl:** PC
- **drain:** HA3
- **mounting:** vertical
- **filter element:** 40 µm

### accessories



- **mounting bracket:** [BW.50](#)

Service 3 unit

Service 2 unit

Filter regulator

Filter

Pressure regulator

Lubricator

System extensions

Accessories

Special products

	type	part-number	description
Service 3 unit	FD.54 HA3	9.1954.00.125.0	Filter regulator G3/4 0,5-10 40µm with PC bowl and semi automatic drain
	FD.54 M HA3	9.1954.00.127.0	Filter regulator G3/4 0,5-10 40µm with metal bowl and semi automatic drain
	FD.54 HA3 B	9.1954.00.128.0	Filter regulator G3/4 0,5-10 40µm with PC bowl, bowl guard and semi automatic drain
Service 2 unit	FD.54 AM10	9.1954.00.130.0	Filter regulator G3/4 0,5-10 40µm with PC bowl and automatic drain
	FD.54 M AM10	9.1954.00.132.0	Filter regulator G3/4 0,5-10 40µm with metal bowl and automatic drain
	FD.54 AM10 B	9.1954.00.133.0	Filter regulator G3/4 0,5-10 40µm with PC bowl, bowl guard and automatic drain
Filter regulator	FD.55 HA3	9.1955.00.125.0	Filter regulator G1 0,5-10 40µm with PC bowl and semi automatic drain
	FD.55 M HA3	9.1955.00.127.0	Filter regulator G1 0,5-10 40µm with metal bowl and semi automatic drain
	FD.55 HA3 B	9.1955.00.128.0	Filter regulator G1 0,5-10 40µm with PC bowl, bowl guard and semi automatic drain
	FD.55 AM10	9.1955.00.130.0	Filter regulator G1 0,5-10 40µm with PC bowl and automatic drain
	FD.55 M AM10	9.1955.00.132.0	Filter regulator G1 0,5-10 40µm with metal bowl and automatic drain
	FD.55 AM10 B	9.1955.00.133.0	Filter regulator G1 0,5-10 40µm with PC bowl, bowl guard and automatic drain
Filter	FD.55 HA3	9.1955.00.665.0V	Filter regulator G1 0,5-16 40µm with PC bowl and semi automatic drain

Filter

Pressure regulator

Lubricator

System extensions

Accessories

Special products

## Filter | BGO



Image shows:  
9.1100.00.050.0V

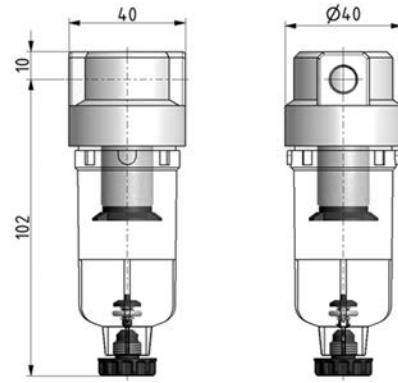
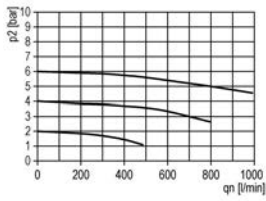
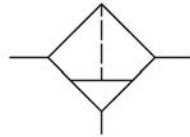


Image shows:  
9.1100.00.050.0V

### flow characteristic



### symbol



### technical data

- **description:** sinter filter centrifugal principle
- **medium:** compressed air, neutral gases
- **supply pressure P1 min.:** 1,5 bar
- **supply pressure P1 max.:** 16 bar
- **temperature range:** 0 - 60°C
- **bowl:** PC
- **drain:** HA
- **mounting:** vertical
- **filter element:** 5 µm

### accessories

type	part-number	description
DF.00 HA4	9.1100.00.050.0V	Filter G1/8 5µm with PC bowl and semi automatic drain
DF.00 M HA4	9.1100.00.052.0V	Filter G1/8 5µm with metal bowl and semi automatic drain
DF.01 HA4	9.1101.00.050.0V	Filter G1/4 5µm with PC bowl and semi automatic drain
DF.01 M HA4	9.1101.00.052.0V	Filter G1/4 5µm with metal bowl and semi automatic drain

Service 3 unit

Service 2 unit

Filter regulator

**Filter**

Pressure regulator

Lubricator

System extensions

Accessories

Special products

## Filter | BG1



Image shows:  
9.1111.00.050.0V

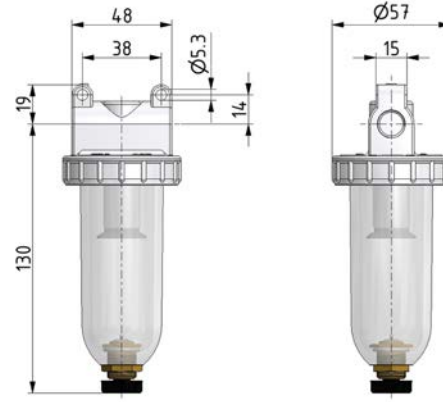
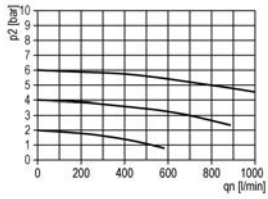
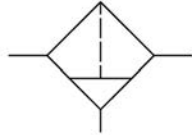


Image shows:  
9.1111.00.050.0V

### flow characteristic



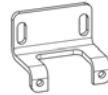
### symbol



### technical data

- **description:** sinter filter centrifugal principle
- **medium:** compressed air, neutral gases
- **supply pressure P1 min.:** 1,5 bar
- **supply pressure P1 max.:** 16 bar
- **temperature range:** 0 - 60°C
- **bowl:** PC
- **drain:** HA3
- **mounting:** vertical
- **filter element:** 5 µm

### accessories



- **mounting bracket:** [ZW.10](#)

Service 3 unit

Service 2 unit

Filter regulator

Filter

Pressure regulator

Lubricator

System extensions

Accessories

Special products

type	part-number	description
DF.11 HA3	9.1111.00.050.0V	Filter G1/4 5µm with PC bowl and semi automatic drain
DF.11 M HA3	9.1111.00.052.0V	Filter G1/4 5µm with metal bowl and semi automatic drain
DF.11 HA3 B	9.1111.00.053.0V	Filter G1/4 5µm with PC bowl, bowl guard and semi automatic drain
DF.11 AM10	9.1111.00.100.0V	Filter G1/4 5µm with PC bowl and automatic drain
DF.11 M AM10	9.1111.00.102.0V	Filter G1/4 5µm with metal bowl and automatic drain
DF.11 AM10 B	9.1111.00.103.0V	Filter G1/4 5µm with PC bowl, bowl guard and automatic drain
DF.12 HA3	9.1112.00.050.0V	Filter G3/8 5µm with PC bowl and semi automatic drain
DF.12 M HA3	9.1112.00.052.0V	Filter G3/8 5µm with metal bowl and semi automatic drain
DF.12 HA3 B	9.1112.00.053.0V	Filter G3/8 5µm with PC bowl, bowl guard and semi automatic drain
DF.12 AM10	9.1112.00.100.0V	Filter G3/8 5µm with PC bowl and automatic drain
DF.12 M AM10	9.1112.00.102.0V	Filter G3/8 5µm with metal bowl and automatic drain
DF.12 AM10 B	9.1112.00.103.0V	Filter G3/8 5µm with PC bowl, bowl guard and automatic drain

Service 3 unit

Service 2 unit

Filter regulator

Filter

Pressure regulator

Lubricator

System extensions

Accessories

Special products

## Filter | BG2



Image shows:  
9.1122.00.350.0V

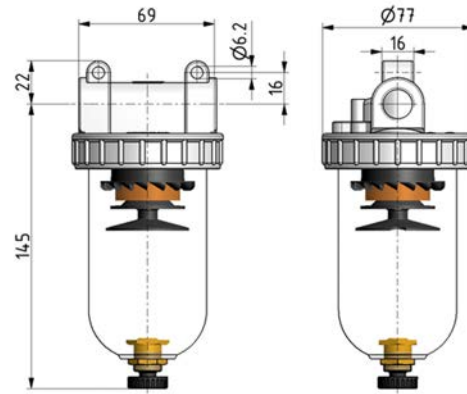


Image shows:  
9.1122.00.350.0V

Service 3 unit

Service 2 unit

Filter regulator

Filter

Pressure regulator

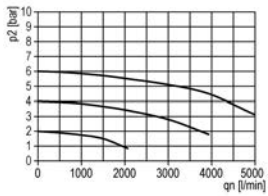
Lubricator

System extensions

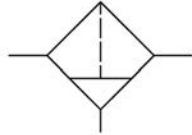
Accessories

Special products

### flow characteristic



### symbol



### technical data

- **description:** sinter filter centrifugal principle
- **medium:** compressed air, neutral gases
- **supply pressure P1 min.:** 1,5 bar
- **supply pressure P1 max.:** 16 bar
- **temperature range:** 0 - 60°C
- **bowl:** PC
- **drain:** HA3
- **mounting:** vertical
- **filter element:** 40 µm

### accessories



- **mounting bracket:** [ZW.30](#)



type	part-number	description
DF.22 HA3	9.1122.00.350.0V	Filter G3/8 40µm with PC bowl and semi automatic drain
DF.22 M HA3	9.1122.00.352.0V	Filter G3/8 40µm with metal bowl and semi automatic drain
DF.22 HA3 B	9.1122.00.353.0V	Filter G3/8 40µm with PC bowl, bowl guard and semi automatic drain
DF.22 AM10	9.1122.00.400.0V	Filter G3/8 40µm with PC bowl and automatic drain
DF.22 M AM10	9.1122.00.402.0V	Filter G3/8 40µm with metal bowl and automatic drain
DF.22 AM10 B	9.1122.00.403.0V	Filter G3/8 40µm with PC bowl, bowl guard and automatic drain
DF.23 HA3	9.1123.00.350.0V	Filter G1/2 40µm with PC bowl and semi automatic drain
DF.23 M HA3	9.1123.00.352.0V	Filter G1/2 40µm with metal bowl and semi automatic drain
DF.23 HA3 B	9.1123.00.353.0V	Filter G1/2 40µm with PC bowl, bowl guard and semi automatic drain
DF.23 AM10	9.1123.00.400.0V	Filter G1/2 40µm with PC bowl and automatic drain
DF.23 M AM10	9.1123.00.402.0V	Filter G1/2 40µm with metal bowl and automatic drain
DF.23 AM10 B	9.1123.00.403.0V	Filter G1/2 40µm with PC bowl, bowl guard and automatic drain

Service 3 unit

Service 2 unit

Filter regulator

Filter

Pressure regulator

Lubricator

System extensions

Accessories

Special products

## Filter | BG3



Image shows:  
9.1133.00.050.0V

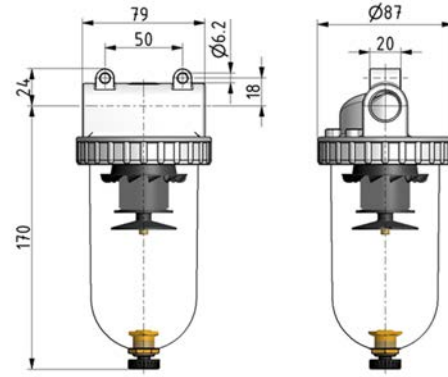
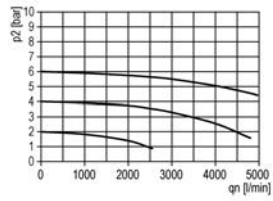
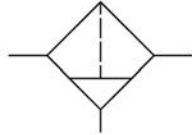


Image shows:  
9.1133.00.050.0V

### flow characteristic



### symbol



### technical data

- **description:** sinter filter centrifugal principle
- **medium:** compressed air, neutral gases
- **supply pressure P1 min.:** 1,5 bar
- **supply pressure P1 max.:** 16 bar
- **temperature range:** 0 - 60°C
- **bowl:** PC
- **drain:** HA3
- **mounting:** vertical
- **filter element:** 5 µm

### accessories



- **mounting bracket:** [ZW.30](#)

type	part-number	description
DF.33 HA3	9.1133.00.050.0V	Filter G1/2 5µm with PC bowl and semi automatic drain
DF.33 M HA3	9.1133.00.052.0V	Filter G1/2 5µm with metal bowl and semi automatic drain
DF.33 HA3 B	9.1133.00.053.0V	Filter G1/2 5µm with PC bowl, bowl guard and semi automatic drain
DF.33 AM10	9.1133.00.100.0V	Filter G1/2 5µm with PC bowl and automatic drain
DF.33 M AM10	9.1133.00.102.0V	Filter G1/2 5µm with metal bowl and automatic drain
DF.33 AM10 B	9.1133.00.103.0V	Filter G1/2 5µm with PC bowl, bowl guard and automatic drain

## Filter | BG3



Image shows:  
9.1134.00.050.0

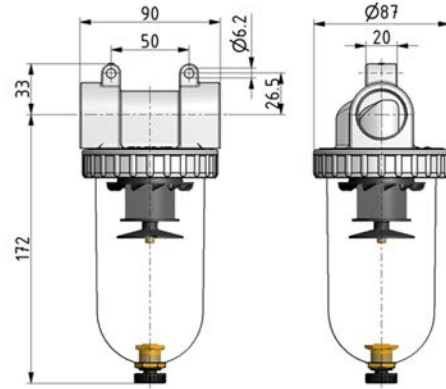
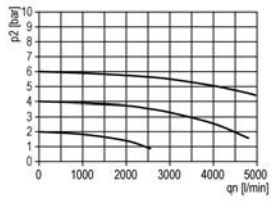
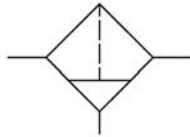


Image shows:  
9.1134.00.050.0

## flow characteristic



## symbol



## technical data

- **description:** sinter filter centrifugal principle
- **medium:** compressed air, neutral gases
- **supply pressure P1 min.:** 1,5 bar
- **supply pressure P1 max.:** 16 bar
- **temperature range:** 0 - 60°C
- **bowl:** PC
- **drain:** HA3
- **mounting:** vertical
- **filter element:** 5 µm

## accessories



- **mounting bracket:** [ZW.30](#)

Service 3 unit

Service 2 unit

Filter regulator

Filter

Pressure regulator

Lubricator

System extensions

Accessories

Special products

type	part-number	description
DF.34 HA3	9.1134.00.050.0	Filter G3/4 5µm with PC bowl and semi automatic drain
DF.34 M HA3	9.1134.00.052.0	Filter G3/4 5µm with metal bowl and semi automatic drain
DF.34 HA3 B	9.1134.00.053.0	Filter G3/4 5µm with PC bowl, bowl guard and semi automatic drain
DF.34 AM10	9.1134.00.100.0	Filter G3/4 5µm with PC bowl and automatic drain
DF.34 M AM10	9.1134.00.102.0V	Filter G3/4 5µm with metal bowl and automatic drain
DF.34 AM10 B	9.1134.00.103.0	Filter G3/4 5µm with PC bowl, bowl guard and automatic drain
DF.35 HA3	9.1135.00.050.0V	Filter G1 5µm with PC bowl and semi automatic drain
DF.35 M HA3	9.1135.00.052.0	Filter G1 5µm with metal bowl and semi automatic drain
DF.35 HA3 B	9.1135.00.053.0	Filter G1 5µm with PC bowl, bowl guard and semi automatic drain
DF.35 AM10	9.1135.00.100.0V	Filter G1 5µm with PC bowl and automatic drain
DF.35 M AM10	9.1135.00.102.0	Filter G1 5µm with metal bowl and automatic drain
DF.35 AM10 B	9.1135.00.103.0	Filter G1 5µm with PC bowl, bowl guard and automatic drain

Service 3 unit

Service 2 unit

Filter regulator

Filter

Pressure regulator

Lubricator

System extensions

Accessories

Special products

## Filter | BG5



Image shows:  
9.1154.00.350.0V

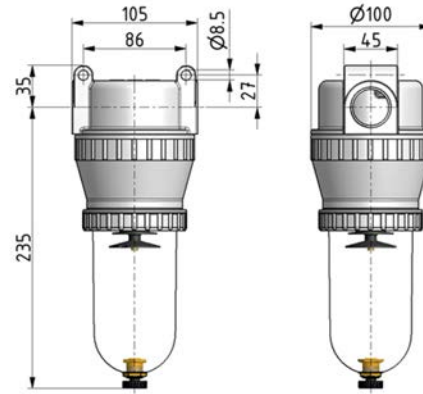
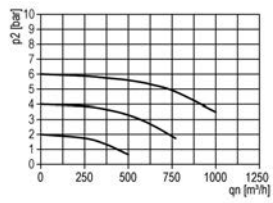
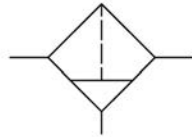


Image shows:  
9.1154.00.350.0V

## flow characteristic



## symbol



## technical data

- **description:** sinter filter centrifugal principle
- **medium:** compressed air, neutral gases
- **supply pressure P1 min.:** 1,5 bar
- **supply pressure P1 max.:** 16 bar
- **temperature range:** 0 - 60°C
- **bowl:** PC
- **drain:** HA3
- **mounting:** vertical
- **filter element:** 40 µm

## accessories

Service 3 unit

Service 2 unit

Filter regulator

Filter

Pressure regulator

Lubricator

System extensions

Accessories

Special products

type	part-number	description
DF.54 HA3	9.1154.00.350.0V	Filter G3/4 40µm with PC bowl and semi automatic drain
DF.54 M HA3	9.1154.00.352.0V	Filter G3/4 40µm with metal bowl and semi automatic drain
DF.54 HA3 B	9.1154.00.353.0V	Filter G3/4 40µm with PC bowl, bowl guard and semi automatic drain
DF.54 AM10	9.1154.00.400.0V	Filter G3/4 40µm with PC bowl and automatic drain
DF.54 M AM10	9.1154.00.402.0	Filter G3/4 40µm with metal bowl and automatic drain
DF.54 AM10 B	9.1154.00.403.0V	Filter G3/4 40µm with PC bowl, bowl guard and automatic drain
DF.55 HA3	9.1155.00.350.0V	Filter G1 40µm with PC bowl and semi automatic drain
DF.55 M HA3	9.1155.00.352.0V	Filter G1 40µm with metal bowl and semi automatic drain
DF.55 HA3 B	9.1155.00.353.0V	Filter G1 40µm with PC bowl, bowl guard and semi automatic drain
DF.55 AM10	9.1155.00.400.0V	Filter G1 40µm with PC bowl and automatic drain
DF.55 M AM10	9.1155.00.402.0	Filter G1 40µm with metal bowl and automatic drain
DF.55 AM10 B	9.1155.00.403.0V	Filter G1 40µm with PC bowl, bowl guard and automatic drain

Service 3 unit

Service 2 unit

Filter regulator

Filter

Pressure regulator

Lubricator

System extensions

Accessories

Special products

## Filter | BG5



Image shows:  
9.1156.00.350.0

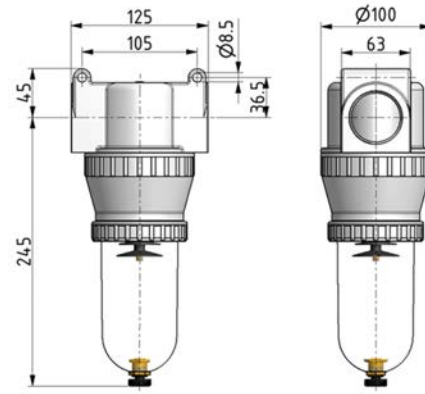
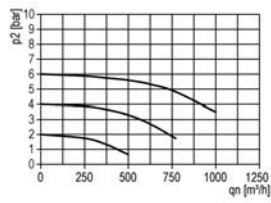
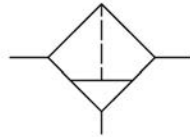


Image shows:  
9.1156.00.350.0

## flow characteristic



## symbol



## technical data

- **description:** sinter filter centrifugal principle
- **medium:** compressed air, neutral gases
- **supply pressure P1 min.:** 1,5 bar
- **supply pressure P1 max.:** 16 bar
- **temperature range:** 0 - 60°C
- **bowl:** PC
- **drain:** HA3
- **mounting:** vertical
- **filter element:** 40 µm

## accessories

Service 3 unit

Service 2 unit

Filter regulator

Filter

Pressure regulator

Lubricator

System extensions

Accessories

Special products

type	part-number	description
DF.56 HA3	9.1156.00.350.0	Filter G1 1/4 40µm with PC bowl and semi automatic drain
DF.56 M HA3	9.1156.00.352.0	Filter G1 1/4 40µm with metal bowl and semi automatic drain
DF.56 HA3 B	9.1156.00.353.0	Filter G1 1/4 40µm with PC bowl, bowl guard and semi automatic drain
DF.56 AM10	9.1156.00.400.0	Filter G1 1/4 40µm with PC bowl and automatic drain
DF.56 M AM10	9.1156.00.402.0	Filter G1 1/4 40µm with metal bowl and automatic drain
DF.56 AM10 B	9.1156.00.403.0	Filter G1 1/4 40µm with PC bowl, bowl guard and automatic drain
DF.57 HA3	9.1157.00.350.0V	Filter G1 1/2 40µm with PC bowl and semi automatic drain
DF.57 M HA3	9.1157.00.352.0	Filter G1 1/2 40µm with metal bowl and semi automatic drain
DF.57 HA3 B	9.1157.00.353.0	Filter G1 1/2 40µm with PC bowl, bowl guard and semi automatic drain
DF.57 AM10	9.1157.00.400.0	Filter G1 1/2 40µm with PC bowl and automatic drain
DF.57 M AM10	9.1157.00.402.0	Filter G1 1/2 40µm with metal bowl and automatic drain
DF.57 AM10 B	9.1157.00.403.0	Filter G1 1/2 40µm with PC bowl, bowl guard and automatic drain

Service 3 unit

Service 2 unit

Filter regulator

Filter

Pressure regulator

Lubricator

System extensions

Accessories

Special products



## Filter | BG8



Image shows:  
9.1186.00.350.0V

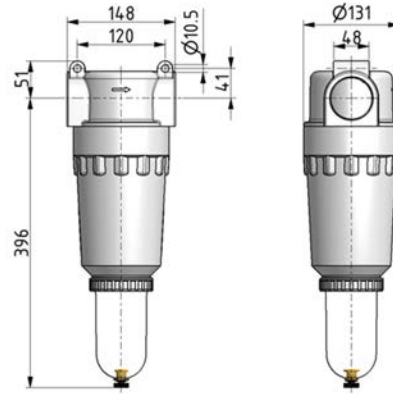
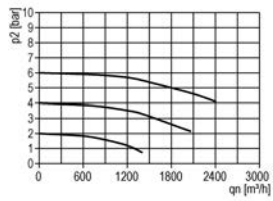
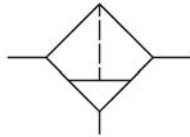


Image shows:  
9.1186.00.350.0V

## flow characteristic



## symbol



## technical data

- **description:** sinter filter centrifugal principle
- **medium:** compressed air, neutral gases
- **supply pressure P1 min.:** 1,5 bar
- **supply pressure P1 max.:** 16 bar
- **temperature range:** 0 - 60°C
- **bowl:** PC
- **drain:** HA3
- **mounting:** vertical
- **filter element:** 60 µm

## accessories

Service 3 unit

Service 2 unit

Filter regulator

Filter

Pressure regulator

Lubricator

System extensions

Accessories

Special products

	type	part-number	description
Service 3 unit	DF.86 HA3	9.1186.00.350.0V	Filter G1 1/4 60µm with PC bowl and semi automatic drain
	DF.86 M HA3	9.1186.00.352.0V	Filter G1 1/4 60µm with metal bowl and semi automatic drain
	DF.86 HA3 B	9.1186.00.353.0V	Filter G1 1/4 60µm with PC bowl, bowl guard and semi automatic drain
	DF.86 AM10	9.1186.00.400.0V	Filter G1 1/4 60µm with PC bowl and automatic drain
Service 2 unit	DF.86 M AM10	9.1186.00.402.0V	Filter G1 1/4 60µm with metal bowl and automatic drain
	DF.86 AM10 B	9.1186.00.403.0V	Filter G1 1/4 60µm with PC bowl, bowl guard and automatic drain
	DF.87 HA3	9.1187.00.350.0	Filter G1 1/2 60µm with PC bowl and semi automatic drain
	DF.87 M HA3	9.1187.00.352.0	Filter G1 1/2 60µm with metal bowl and semi automatic drain
Filter regulator	DF.87 HA3 B	9.1187.00.353.0	Filter G1 1/2 60µm with PC bowl, bowl guard and semi automatic drain
	DF.87 AM10	9.1187.00.400.0	Filter G1 1/2 60µm with PC bowl and automatic drain
	DF.87 M AM10	9.1187.00.402.0	Filter G1 1/2 60µm with metal bowl and automatic drain
	DF.87 AM10 B	9.1187.00.403.0	Filter G1 1/2 60µm with PC bowl, bowl guard and automatic drain
Filter	DF.88 HA3	9.1188.00.350.0	Filter G2 60µm with PC bowl and semi automatic drain
	DF.88 M HA3	9.1188.00.352.0	Filter G2 60µm with metal bowl and semi automatic drain
	DF.88 HA3 B	9.1188.00.353.0	Filter G2 60µm with PC bowl, bowl guard and semi automatic drain
	DF.88 AM10	9.1188.00.400.0	Filter G2 60µm with PC bowl and automatic drain
Pressure regulator	DF.88 M AM10	9.1188.00.402.0	Filter G2 60µm with metal bowl and automatic drain
	DF.88 AM10 B	9.1188.00.403.0	Filter G2 60µm with PC bowl, bowl guard and automatic drain

Lubricator

System extensions

Accessories

Special products

## Filter | BG9



Image shows:  
9.1198.00.102.0

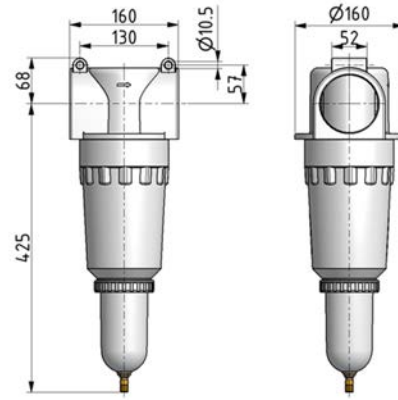
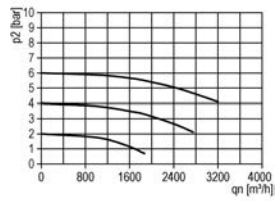
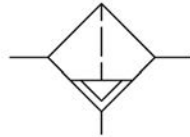


Image shows:  
9.1198.00.102.0

## flow characteristic



## symbol



## technical data

- **description:** sinter filter centrifugal principle
- **medium:** compressed air, neutral gases
- **supply pressure P1 min.:** 1,5 bar
- **supply pressure P1 max.:** 16 bar
- **temperature range:** 0 - 60°C
- **bowl:** metal bowl
- **drain:** AM NO
- **mounting:** vertical
- **filter element:** 8 µm

## accessories

Service 3 unit

Service 2 unit

Filter regulator

Filter

Pressure regulator

Lubricator

System extensions

Accessories

Special products

type	part-number	description
DF.98 M AM10	9.1198.00.102.0	Filter G2 1/2 8µm with metal bowl and automatic drain
DF.98 AM10 B	9.1198.00.103.0	Filter G2 1/2 8µm with PC bowl, bowl guard and automatic drain
DF.98 HA3	9.1198.00.350.0	Filter G2 1/2 60µm with PC bowl and semi automatic drain
DF.98 M HA3	9.1198.00.352.0	Filter G2 1/2 60µm with metal bowl and semi automatic drain
DF.98 HA3 B	9.1198.00.353.0	Filter G2 1/2 60µm with PC bowl, bowl guard and semi automatic drain
DF.98 AM10	9.1198.00.400.0	Filter G2 1/2 60µm with PC bowl and automatic drain
DF.99 HA3	9.1199.00.350.0	Filter G3 60µm with PC bowl and semi automatic drain
DF.99 M HA3	9.1199.00.352.0	Filter G3 60µm with metal bowl and semi automatic drain
DF.99 HA3 B	9.1199.00.353.0	Filter G3 60µm with PC bowl, bowl guard and semi automatic drain
DF.99 AM10	9.1199.00.400.0	Filter G3 60µm with PC bowl and automatic drain
DF.99 M AM10	9.1199.00.402.0	Filter G3 60µm with metal bowl and automatic drain
DF.99 AM10 B	9.1199.00.403.0	Filter G3 60µm with PC bowl, bowl guard and automatic drain

Service 3 unit

Service 2 unit

Filter regulator

Filter

Pressure regulator

Lubricator

System extensions

Accessories

Special products

## Prefilter | BG3



Image shows:  
9.1133.00.914.0

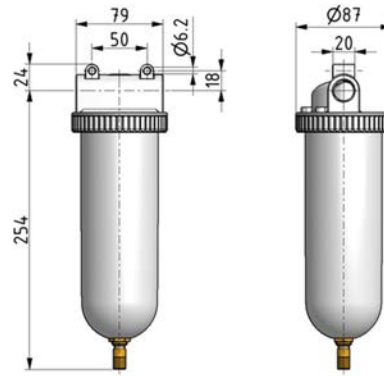
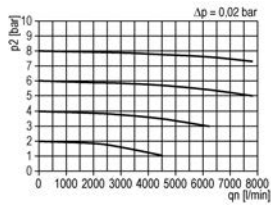
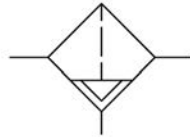


Image shows:  
9.1133.00.914.0

### flow characteristic



### symbol



### technical data

- **description:** prefilter
- **medium:** compressed air, neutral gases
- **supply pressure P1 min.:** 1,5 bar
- **supply pressure P1 max.:** 16 bar
- **temperature range:** 0 - 60°C
- **bowl:** metal bowl
- **drain:** AM NO
- **mounting:** vertical
- **filter element:** 0,3 µm
- **particle separation:** > 0,3 µm 99,999%

### accessories



- **mounting bracket:** [ZW.30](#)

type	part-number	description
DFV.33 M AM10	9.1133.00.914.0	Prefilter G1/2 0,3µm with metal bowl and automatic drain

Service 3 unit

Service 2 unit

Filter regulator

**Filter**

Pressure regulator

Lubricator

System extensions

Accessories

Special products

## Prefilter | BG5



Image shows:  
9.1155.00.908.0

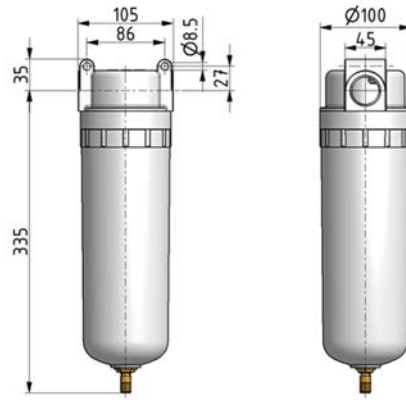
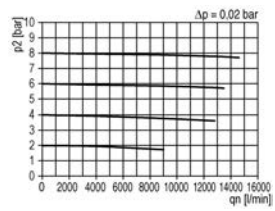
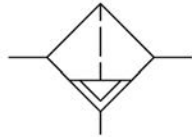


Image shows:  
9.1155.00.908.0

### flow characteristic



### symbol



### technical data

- **description:** prefilter
- **medium:** compressed air, neutral gases
- **supply pressure P1 min.:** 1,5 bar
- **supply pressure P1 max.:** 16 bar
- **temperature range:** 0 - 60°C
- **bowl:** metal bowl
- **drain:** AM NO
- **mounting:** vertical
- **filter element:** 0,3 μm
- **particle separation:** > 0,3 μm 99,999%

### accessories

### type

DFV.55 M AM10

### part-number

9.1155.00.908.0

### description

Prefilter G1 0,3μm with metal bowl and automatic drain

Service 3 unit

Service 2 unit

Filter regulator

Filter

Pressure regulator

Lubricator

System extensions

Accessories

Special products

## Prefilter | BG8



Image shows:  
9.1187.00.914.0

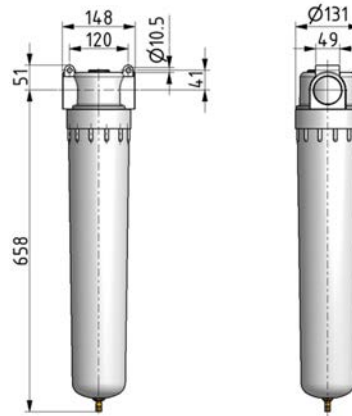
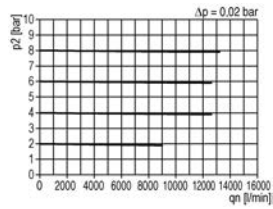
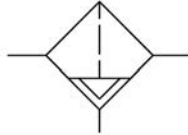


Image shows:  
9.1187.00.914.0

### flow characteristic



### symbol



### technical data

- **description:** prefilter
- **medium:** compressed air, neutral gases
- **supply pressure P1 min.:** 1,5 bar
- **supply pressure P1 max.:** 16 bar
- **temperature range:** 0 - 60°C
- **bowl:** metal bowl
- **drain:** AM NO
- **mounting:** vertical
- **filter element:** 0,3 µm
- **particle separation:** > 0,3 µm 99,999%

### accessories



- **differential pressure gauge:**  
[DM 2](#)

### type

DFV.87 M AM10

### part-number

9.1187.00.914.0

### description

Prefilter G1 1/2 0,3µm with metal bowl and automatic drain

Service 3 unit

Service 2 unit

Filter regulator

**Filter**

Pressure regulator

Lubricator

System extensions

Accessories

Special products

## Prefilter | BG8

Service 3 unit

Service 2 unit



Image shows:  
9.1188.00.914.0

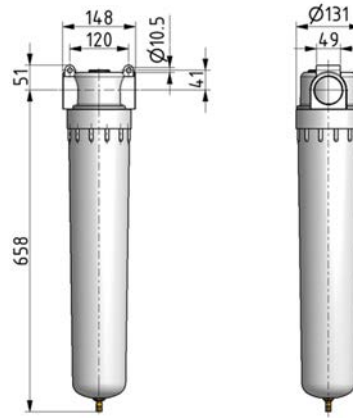
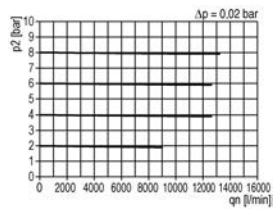


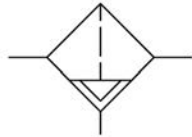
Image shows:  
9.1188.00.914.0

Filter regulator

### flow characteristic



### symbol



Filter

Pressure regulator

### technical data

- **description:** prefilter
- **medium:** compressed air, neutral gases
- **supply pressure P1 min.:** 1,5 bar
- **supply pressure P1 max.:** 16 bar
- **temperature range:** 0 - 60°C
- **bowl:** metal bowl
- **drain:** AM NO
- **mounting:** vertical
- **filter element:** 0,3 µm
- **particle separation:** > 0,3 µm 99,999%

### accessories



- **differential pressure gauge:**  
[DM 2](#)

Lubricator

System extensions

Accessories

type	part-number	description
DFV.88 M AM10	9.1188.00.914.0	Prefilter G2 0,3µm with metal bowl and automatic drain

Special products



## Finefilter | BG3



Image shows:  
9.1133.00.952.0

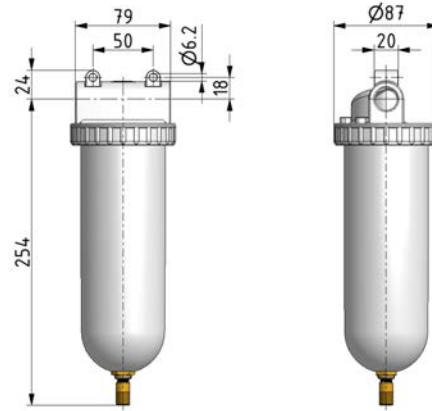
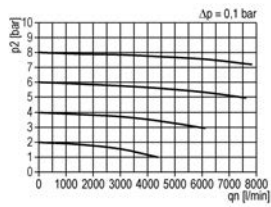
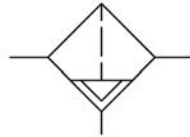


Image shows:  
9.1133.00.952.0

### flow characteristic



### symbol



### technical data

- **description:** finefilter
- **medium:** compressed air, neutral gases
- **supply pressure P1 min.:** 1,5 bar
- **supply pressure P1 max.:** 16 bar
- **temperature range:** 0 - 60°C
- **bowl:** metal bowl
- **drain:** AM NO
- **mounting:** vertical
- **filter element:** 0,01 μm
- **particle separation:** > 0,01 μm 99,999%
- **residual oil concent:** 0,01 mg/m<sup>3</sup>

### accessories



- **mounting bracket:** [ZW.30](#)

### type

DFX.33 M AM10

### part-number

9.1133.00.952.0

### description

Finefilter G1/2 0,01μm with metal bowl and automatic drain

Service 3 unit

Service 2 unit

Filter regulator

**Filter**

Pressure regulator

Lubricator

System extensions

Accessories

Special products

## Finefilter | BG5



Image shows:  
9.1155.00.952.0

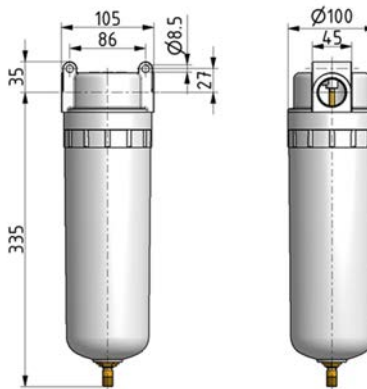
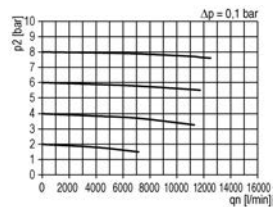
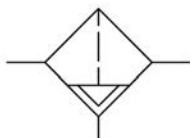


Image shows:  
9.1155.00.952.0

### flow characteristic



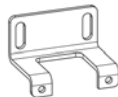
### symbol



### technical data

- **description:** finefilter
- **medium:** compressed air, neutral gases
- **supply pressure P1 min.:** 1,5 bar
- **supply pressure P1 max.:** 16 bar
- **temperature range:** 0 - 60°C
- **bowl:** metal bowl
- **drain:** AM NO
- **mounting:** vertical
- **filter element:** 0,01 µm
- **particle separation:** > 0,01 µm 99,999%
- **residual oil concent:** 0,01 mg/m<sup>3</sup>

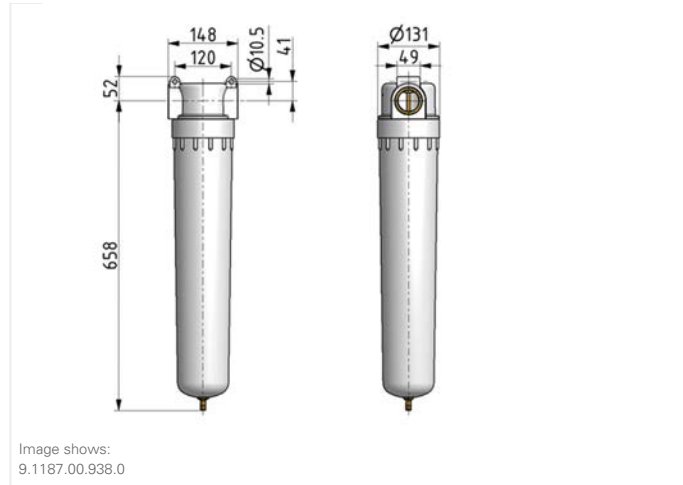
### accessories



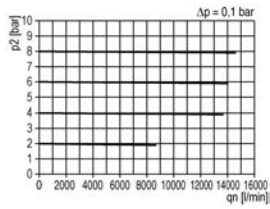
- **mounting bracket:** [ZW.30](#)

type	part-number	description
DFX.55 M AM10	9.1155.00.952.0	Finefilter G1 0,01µm with metal bowl and automatic drain

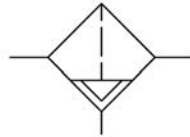
## Finefilter | BG8



### flow characteristic



### symbol



### technical data

- **description:** finefilter
- **medium:** compressed air, neutral gases
- **supply pressure P1 min.:** 1,5 bar
- **supply pressure P1 max.:** 16 bar
- **temperature range:** 0 - 60°C
- **bowl:** metal bowl
- **drain:** AM NO
- **mounting:** vertical
- **filter element:** 0,01 μm
- **particle separation:** > 0,01 μm 99,999%
- **residual oil concent:** 0,01 mg/m<sup>3</sup>

### accessories



- **differential pressure gauge:** [DM 2](#)

### type

DFX.87 M AM10

### part-number

9.1187.00.938.0

### description

Finefilter G1 1/2 0,01μm with metal bowl and automatic drain

Service 3 unit

Service 2 unit

Filter regulator

**Filter**

Pressure regulator

Lubricator

System extensions

Accessories

Special products

## Finefilter | BG8

Service 3 unit

Service 2 unit



Image shows:  
9.1188.00.952.0

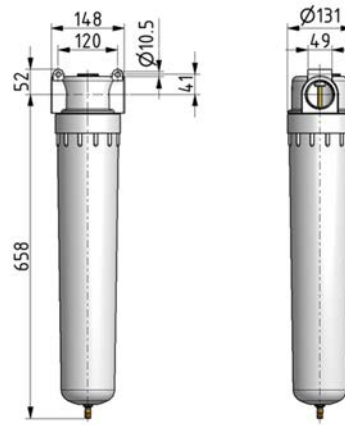
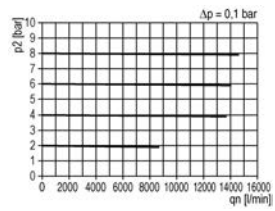


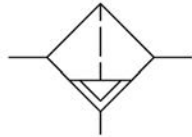
Image shows:  
9.1188.00.952.0

Filter regulator

### flow characteristic



### symbol



Filter

Pressure regulator

### technical data

- **description:** finefilter
- **medium:** compressed air, neutral gases
- **supply pressure P1 min.:** 1,5 bar
- **supply pressure P1 max.:** 16 bar
- **temperature range:** 0 - 60°C
- **bowl:** metal bowl
- **drain:** AM NO
- **mounting:** vertical
- **filter element:** 0,01 µm
- **particle separation:** > 0,01 µm 99,999%
- **residual oil concent:** 0,01 mg/m<sup>3</sup>

### accessories



- **differential pressure gauge:**  
[DM 2](#)

Lubricator

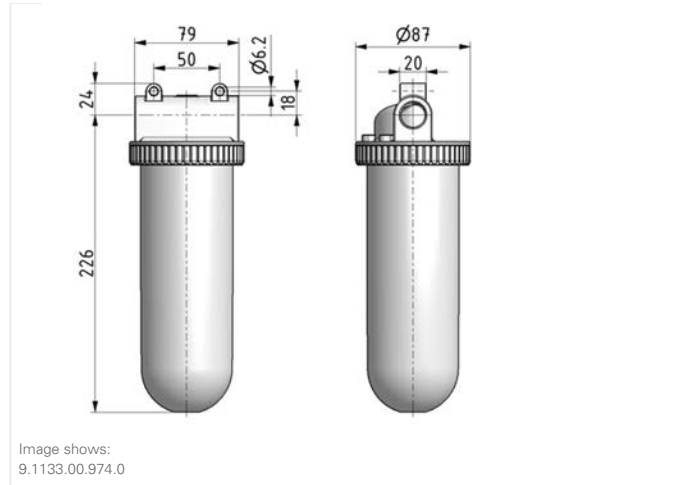
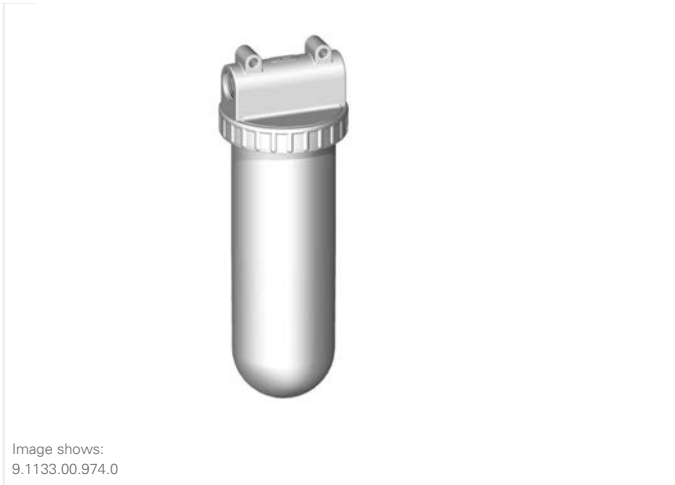
System extensions

Accessories

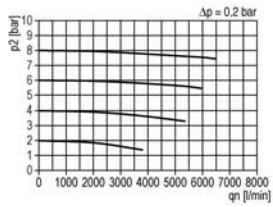
type	part-number	description
DFX.88 M AM10	9.1188.00.952.0	Finefilter G2 0,01µm with metal bowl and automatic drain

Special products

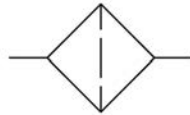
## Active carbon filter | BG3



### flow characteristic



### symbol



### technical data

- **description:** active carbon filter
- **medium:** compressed air, neutral gases
- **supply pressure P1 min.:** 0 bar
- **supply pressure P1 max.:** 25 bar
- **temperature range:** 0 - 60°C
- **bowl:** metal bowl
- **mounting:** vertical
- **residual oil concent:** 0,005 mg/m<sup>3</sup>

### accessories



- **mounting bracket:** [ZW.30](#)

### type

DFA.33 M

### part-number

9.1133.00.974.0

### description

Activated carbon filter G1/2 with metal bowl

Service 3 unit

Service 2 unit

Filter regulator

**Filter**

Pressure regulator

Lubricator

System extensions

Accessories

Special products

## Active carbon filter | BG5



Image shows:  
9.1155.00.974.0V

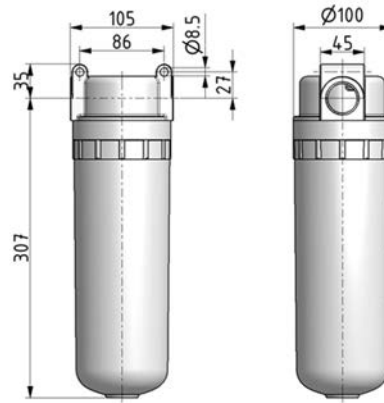
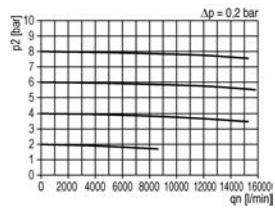
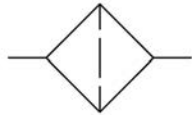


Image shows:  
9.1155.00.974.0V

### flow characteristic



### symbol



### technical data

- **description:** active carbon filter
- **medium:** compressed air, neutral gases
- **supply pressure P1 min.:** 0 bar
- **supply pressure P1 max.:** 25 bar
- **temperature range:** 0 - 60°C
- **bowl:** metal bowl
- **mounting:** vertical
- **residual oil concent:** 0,005 mg/m<sup>3</sup>

### accessories

#### type

DFA.55 M

#### part-number

9.1155.00.974.0V

#### description

Activated carbon filter G 1 with metal bowl

Service 3 unit

Service 2 unit

Filter regulator

Filter

Pressure regulator

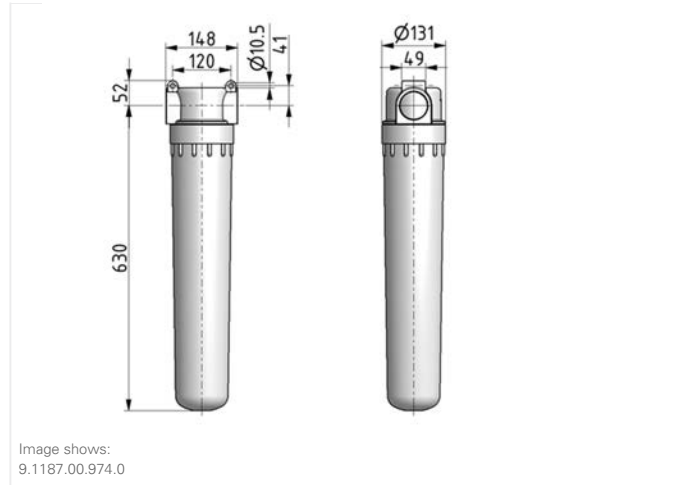
Lubricator

System extensions

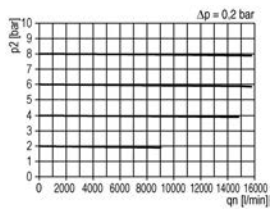
Accessories

Special products

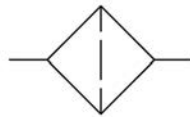
## Active carbon filter | BG8



### flow characteristic



### symbol



### technical data

- **description:** active carbon filter
- **medium:** compressed air, neutral gases
- **supply pressure P1 min.:** 0 bar
- **supply pressure P1 max.:** 20 bar
- **temperature range:** 0 - 60°C
- **bowl:** metal bowl
- **mounting:** vertical
- **residual oil concent:** 0,005 mg/m<sup>3</sup>

### accessories

#### type

DFA.87 M

#### part-number

9.1187.00.974.0

#### description

Activated carbon filter G1 1/2 with metal bowl

Service 3 unit

Service 2 unit

Filter regulator

**Filter**

Pressure regulator

Lubricator

System extensions

Accessories

Special products

## Active carbon filter | BG8

Service 3 unit

Service 2 unit



Image shows:  
9.1188.00.974.0

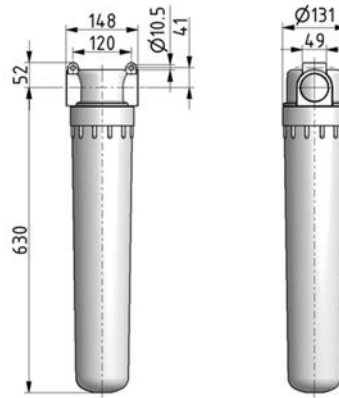
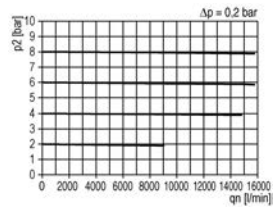


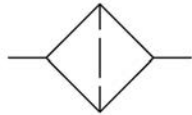
Image shows:  
9.1188.00.974.0

Filter regulator

### flow characteristic



### symbol



Filter

Pressure regulator

### technical data

- **description:** active carbon filter
- **medium:** compressed air, neutral gases
- **supply pressure P1 min.:** 0 bar
- **supply pressure P1 max.:** 20 bar
- **temperature range:** 0 - 60°C
- **bowl:** metal bowl
- **mounting:** vertical
- **residual oil concent:** 0,005 mg/m<sup>3</sup>

### accessories

Lubricator

System extensions

Accessories

### type

DFA.88 M

### part-number

9.1188.00.974.0

### description

Activated carbon filter G2 with metal bowl

Special products



## Pressure regulator | M5



Image shows:  
9.15M5.00.001

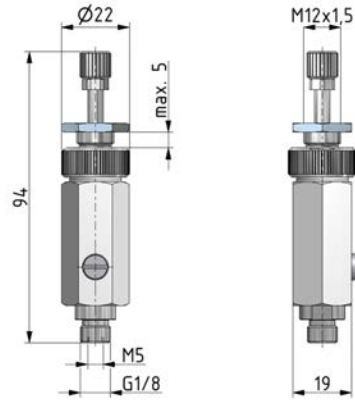
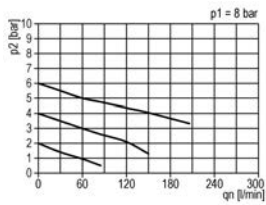
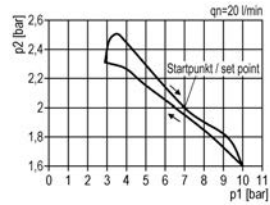


Image shows:  
9.15M5.00.001

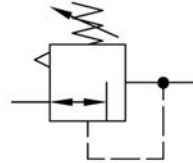
### flow characteristic



### pressure characteristic



### symbol



### technical data

- **description:** plunger regulator with diaphragm and relieving feature
- **medium:** compressed air, neutral gases
- **supply pressure P1 max.:** 16 bar
- **temperature range:** 0 - 60°C
- **control panel nut:** control panel nut

### accessories

#### type

DR.M5 S

#### part-number

9.15M5.00.001

#### description

Pressure regulator M5 0-8,5 with panel mounting ring

Service 3 unit

Service 2 unit

Filter regulator

Filter

Pressure regulator

Lubricator

System extensions

Accessories

Special products

## Pressure regulator | BGO



Image shows:  
9.1500.00.750/V

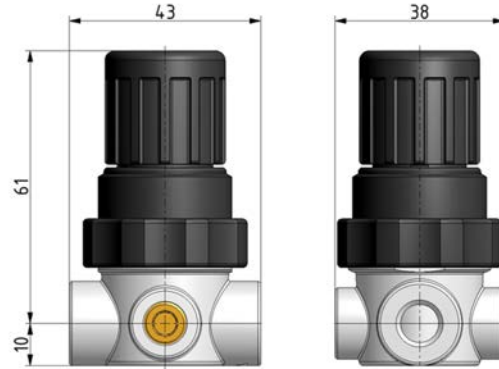
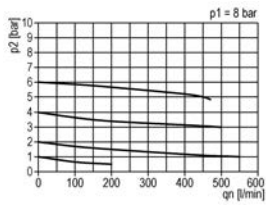
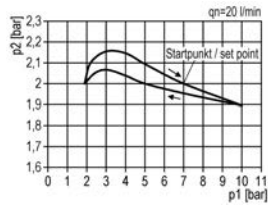


Image shows:  
9.1500.00.750/V

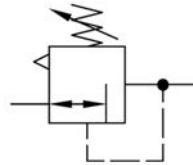
### flow characteristic



### pressure characteristic



### symbol



### technical data

- **description:** air line regulator with diaphragm and relieving feature
- **medium:** compressed air, neutral gases
- **supply pressure P1 max.:** 25 bar
- **temperature range:** 0 - 60°C

### accessories

- 
- control panel mounting:  
[WH.M.30/DR.00-34](#)

type	part-number	description
DR.022-00	9.1500.00.750/V	Pressure regulator G1/8 0,5-10 (2xVST)
DR.022-01	9.1501.00.750/V	Pressure regulator G1/4 0,5-10 (2xVST)

## Pressure regulator | BGO



Image shows:  
9.1600.00.102/V

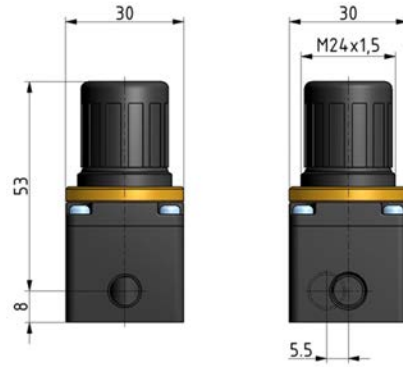
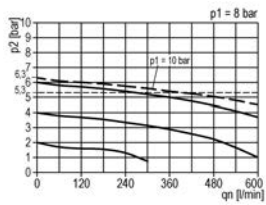
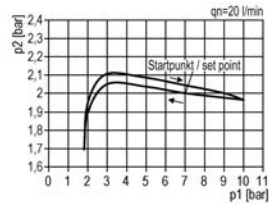


Image shows:  
9.1600.00.102/V

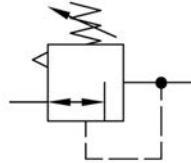
### flow characteristic



### pressure characteristic



### symbol



### technical data

- **description:** air line regulator with diaphragm and relieving feature
- **medium:** compressed air, medical oxygen, NO<sub>2</sub> (nitrous oxide)
- **supply pressure P1 max.:** 10 bar
- **temperature range:** 0 - 60°C
- **control panel nut:** control panel nut

### accessories

type	part-number	description
KDR.00 mO S	9.1600.00.102/V	Pressure regulator 30x30 G1/8 0,2-8 for medical oxygen with panel mounting ring and black galvanized gauge plug in the rear port

Service 3 unit

Service 2 unit

Filter regulator

Filter

Pressure regulator

Lubricator

System extensions

Accessories

Special products

## Pressure regulator 30x30 flange | BGO



Image shows:  
9.160X.00.103/V

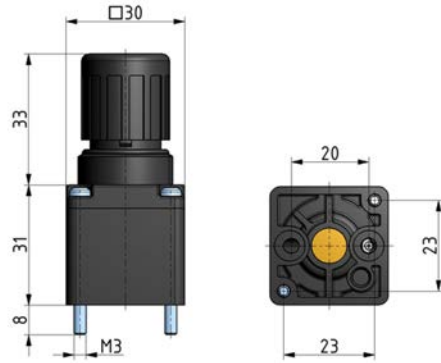
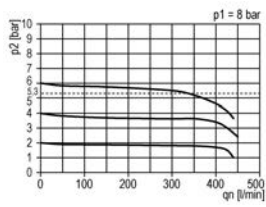
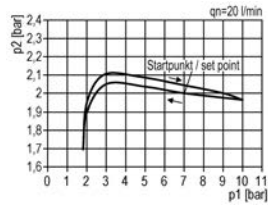


Image shows:  
9.160X.00.103/V

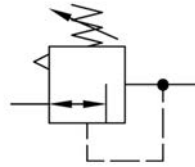
### flow characteristic



### pressure characteristic



### symbol



### technical data

- **description:** air line regulator with diaphragm and relieving feature, cartridge regulation, flange mounting
- **medium:** compressed air, medical oxygen, NO<sub>2</sub> (nitrous oxide)
- **supply pressure P1 max.:** 10 bar
- **temperature range:** 0 - 60°C

### accessories

#### type

KDR.FL mO

#### part-number

9.160X.00.103/V

#### description

Pressure regulator 30x30 flange mounting 0,2-8 for medical oxygen with cartridge regulation and relieving feature

Service 3 unit

Service 2 unit

Filter regulator

Filter

Pressure regulator

Lubricator

System extensions

Accessories

Special products

## Pressure regulator | BGO



Image shows:  
9.1500.00.000.0V

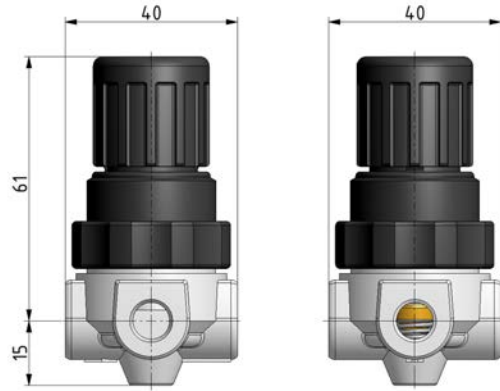
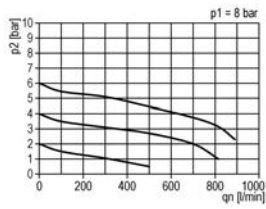
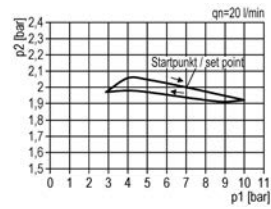


Image shows:  
9.1500.00.000.0V

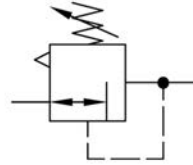
### flow characteristic



### pressure characteristic



### symbol



### technical data

- **description:** air line regulator with diaphragm and relieving feature
- **medium:** compressed air, neutral gases
- **supply pressure P1 max.:** 25 bar
- **temperature range:** 0 - 60°C

### accessories



- **control panel mounting:**  
[WH.M.30/DR.00-34](#)

### type

DR.00

### part-number

9.1500.00.000.0V

### description

Pressure regulator G1/8 0,5-10

Service 3 unit

Service 2 unit

Filter regulator

Filter

Pressure regulator

Lubricator

System extensions

Accessories

Special products

## Pressure regulator | BG1



Image shows:  
9.1511.00.000.0V

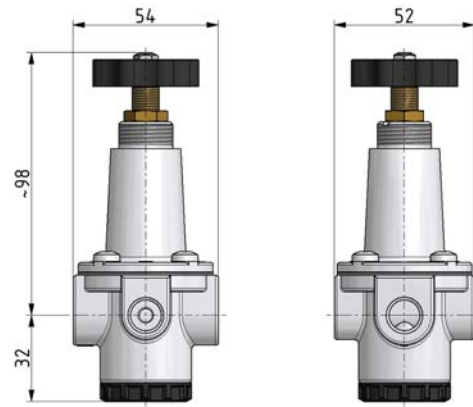
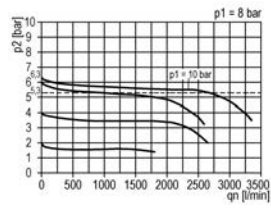
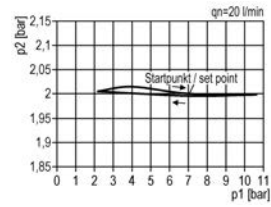


Image shows:  
9.1511.00.000.0V

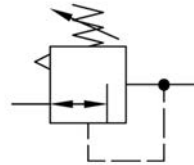
### flow characteristic



### pressure characteristic



### symbol



### technical data

- **description:** air line regulator with diaphragm and relieving feature
- **medium:** compressed air, neutral gases
- **supply pressure P1 max.:** 25 bar
- **temperature range:** 0 - 60°C

### accessories



- mounting bracket: [BW.10](#)



- control panel mounting: [WH.M.20/DR.11-7](#)

type	part-number	description
DR.11	9.1511.00.000.0V	Pressure regulator G1/4 0,5-10
DR.12	9.1512.00.000.0V	Pressure regulator G3/8 0,5-10

## Pressure regulator | BG2



Image shows:  
9.1522.00.000.0V

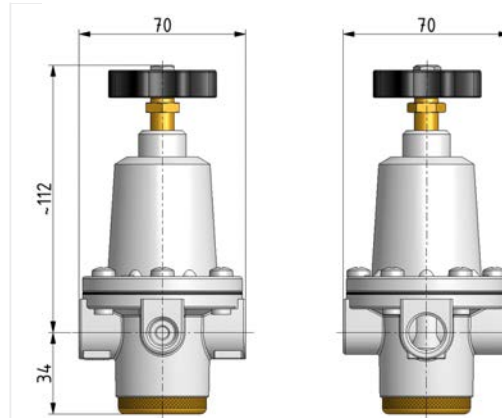
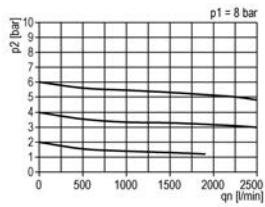
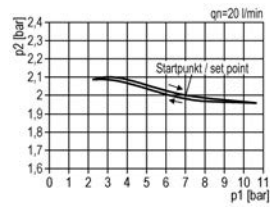


Image shows:  
9.1522.00.000.0V

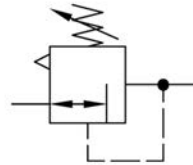
### flow characteristic



### pressure characteristic



### symbol



### technical data

- **description:** air line regulator with diaphragm and relieving feature
- **medium:** compressed air, neutral gases
- **supply pressure P1 max.:** 25 bar
- **temperature range:** 0 - 60°C

### accessories



- mounting bracket: [BW.20](#)



- control panel mounting: [WH.M 20/DR.11-7](#)

type	part-number	description
DR.22	9.1522.00.000.0V	Pressure regulator G3/8 0,5-10
DR.23	9.1523.00.000.0V	Pressure regulator G1/2 0,5-10

Service 3 unit

Service 2 unit

Filter regulator

Filter

Pressure regulator

Lubricator

System extensions

Accessories

Special products

## Pressure regulator | BG3



Image shows:  
9.1533.00.000.0V

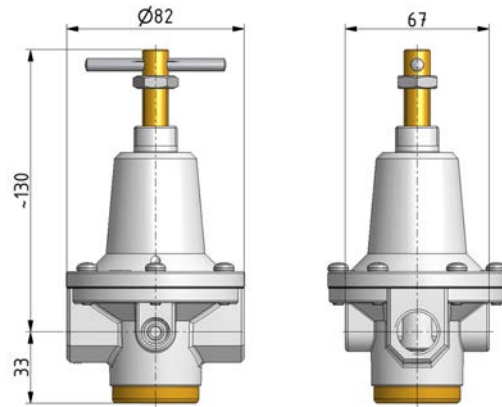
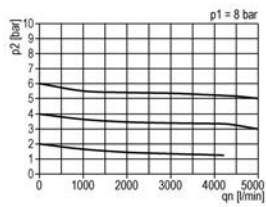
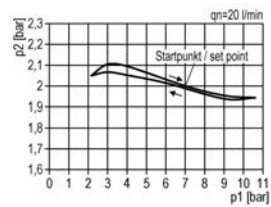


Image shows:  
9.1533.00.000.0V

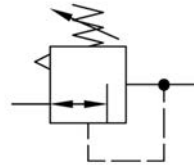
### flow characteristic



### pressure characteristic



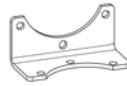
### symbol



### technical data

- **description:** air line regulator with diaphragm and relieving feature
- **medium:** compressed air, neutral gases
- **supply pressure P1 max.:** 25 bar
- **temperature range:** 0 - 60°C

### accessories



- mounting bracket: [BW.30](#)

- control panel mounting: nut DR.11-7

### type

DR.33

### part-number

9.1533.00.000.0V

### description

Pressure regulator G1/2 0,5-10



## Pressure regulator | BG3



Image shows:  
9.1534.00.000.0V

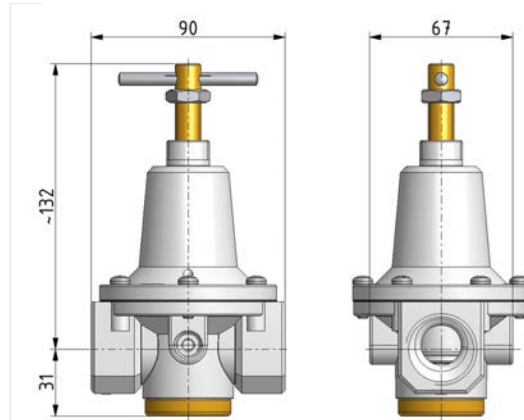
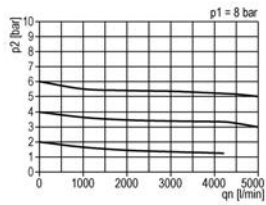
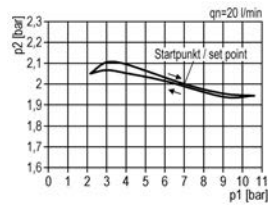


Image shows:  
9.1534.00.000.0V

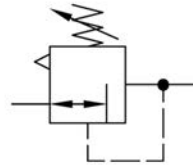
### flow characteristic



### pressure characteristic



### symbol



### technical data

- **description:** air line regulator with diaphragm and relieving feature
- **medium:** compressed air, neutral gases
- **supply pressure P1 max.:** 25 bar
- **temperature range:** 0 - 60°C

### accessories



- mounting bracket: [BW.30](#)

- control panel mounting: nut DR.11-7

type	part-number	description
DR.34	9.1534.00.000.0V	Pressure regulator G3/4 0,5-10
DR.35	9.1535.00.000.0V	Pressure regulator G1 0,5-10

Service 3 unit

Service 2 unit

Filter regulator

Filter

Pressure regulator

Lubricator

System extensions

Accessories

Special products

## Pressure regulator | BG5



Image shows:  
9.1554.00.000.0

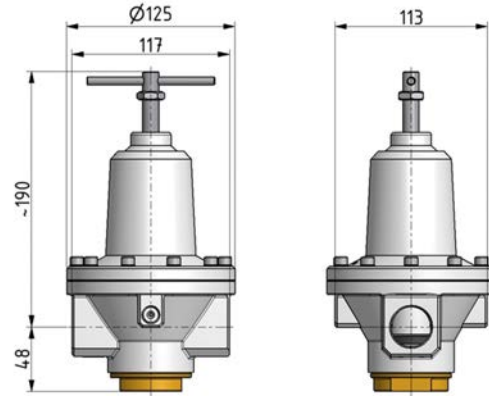
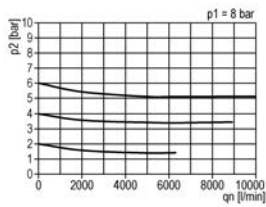
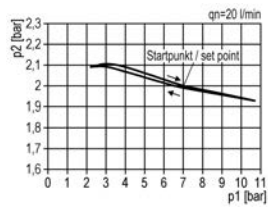


Image shows:  
9.1554.00.000.0

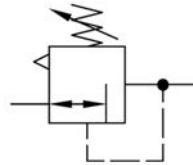
### flow characteristic



### pressure characteristic



### symbol



### technical data

- **description:** air line regulator with diaphragm and relieving feature
- **medium:** compressed air, neutral gases
- **supply pressure P1 max.:** 25 bar
- **temperature range:** 0 - 60°C

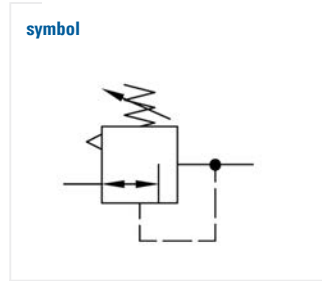
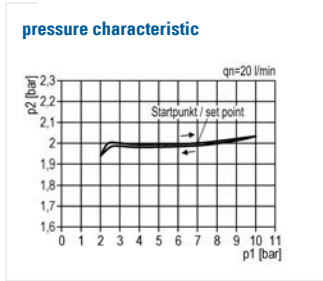
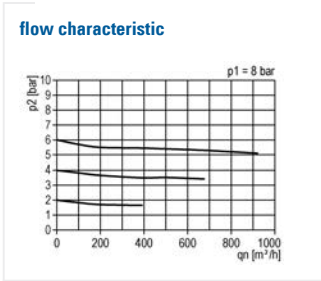
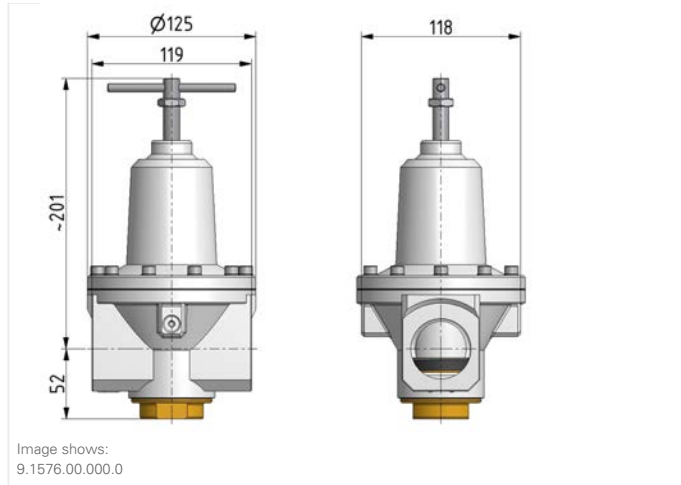
### accessories



- mounting bracket: [BW.50](#)

type	part-number	description
DR.54	9.1554.00.000.0	Pressure regulator G3/4 0,5-10
DR.55	9.1555.00.000.0	Pressure regulator G1 0,5-10

# Pressure regulator | BG7



### technical data

- **description:** air line regulator with diaphragm and relieving feature
- **medium:** compressed air, neutral gases
- **supply pressure P1 max.:** 25 bar
- **temperature range:** 0 - 60°C

### accessories

- mounting bracket: [BW.50](#)

type	part-number	description
DR.76	9.1576.00.000.0	Pressure regulator G1 1/4 0,5-10
DR.77	9.1577.00.000.0	Pressure regulator G1 1/2 0,5-10

- Service 3 unit
- Service 2 unit
- Filter regulator
- Filter
- Pressure regulator
- Lubricator
- System extensions
- Accessories
- Special products

## Pressure regulator pilot control | BG5



Image shows:  
9.1554.00.200.0

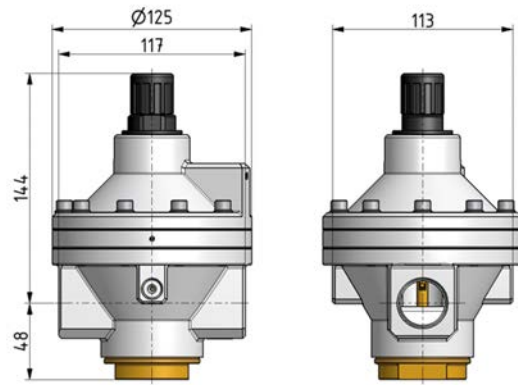
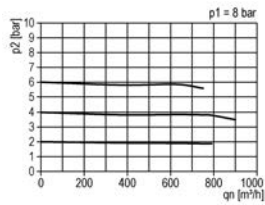
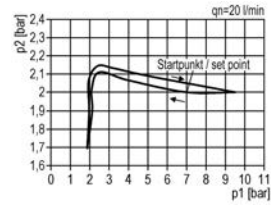


Image shows:  
9.1554.00.200.0

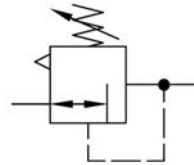
### flow characteristic



### pressure characteristic



### symbol



### technical data

- **description:** air line regulator with diaphragm and relieving feature, pilot operated
- **medium:** compressed air, neutral gases
- **supply pressure P1 max.:** 25 bar
- **temperature range:** 0 - 60°C

### accessories

- mounting bracket: [BW.50](#)
- lockable setting knob possible

type	part-number	description
DRP.54	9.1554.00.200.0	Pressure regulator G3/4 0,5-10 pilot control
DRP.55	9.1555.00.200.0	Pressure regulator G1 0,5-10 pilot control

## Pressure regulator pilot control | BG7



Image shows:  
9.1576.00.200.0

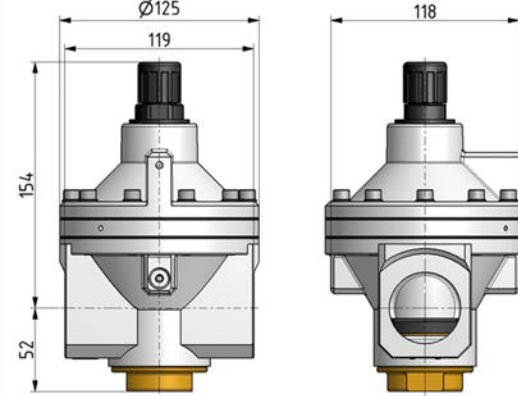
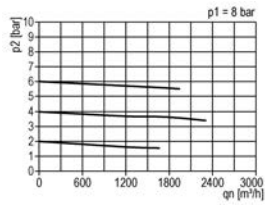
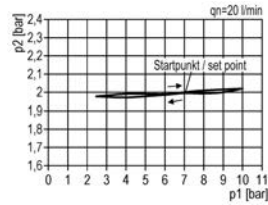


Image shows:  
9.1576.00.200.0

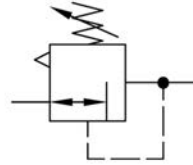
### flow characteristic



### pressure characteristic



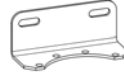
### symbol



### technical data

- **description:** air line regulator with diaphragm and relieving feature, pilot operated
- **medium:** compressed air, neutral gases
- **supply pressure P1 max.:** 25 bar
- **temperature range:** 0 - 60°C

### accessories



- mounting bracket: [BW.50](#)

- lockable setting knob possible

type	part-number	description
DRP.76	9.1576.00.200.0	Pressure regulator G1 1/4 0,5-10 pilot control
DRP.77	9.1577.00.200.0	Pressure regulator G1 1/2 0,5-10 pilot control

Service 3 unit

Service 2 unit

Filter regulator

Filter

Pressure regulator

Lubricator

System extensions

Accessories

Special products

## Pressure regulator pilot control | BG8



Image shows:  
9.1587.00.200.0V

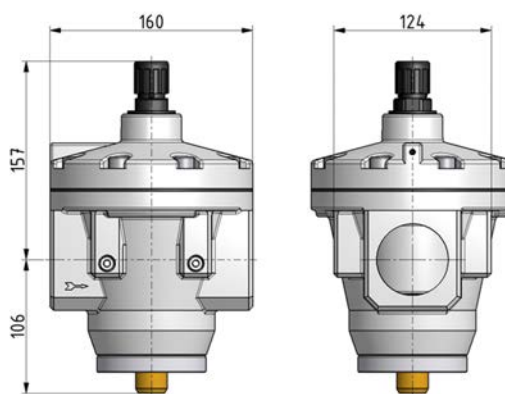
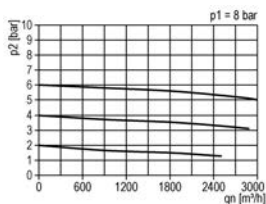
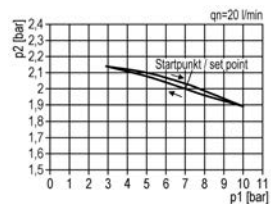


Image shows:  
9.1587.00.200.0V

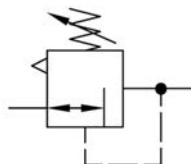
### flow characteristic



### pressure characteristic



### symbol



### technical data

- **description:** air line regulator with diaphragm and relieving feature, pilot operated
- **medium:** compressed air, neutral gases
- **supply pressure P1 max.:** 25 bar
- **temperature range:** 0 - 60°C

### accessories

- lockable setting knob possible

type	part-number	description
DRP.87	9.1587.00.200.0V	Pressure regulator G1 1/2 0,5-10 pilot control
DRP.88	9.1588.00.200.0V	Pressure regulator G2 0,5-10 pilot control

# Pressure regulator pneumatic pilot operated | BG3

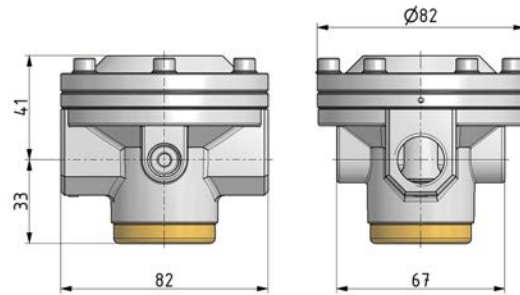
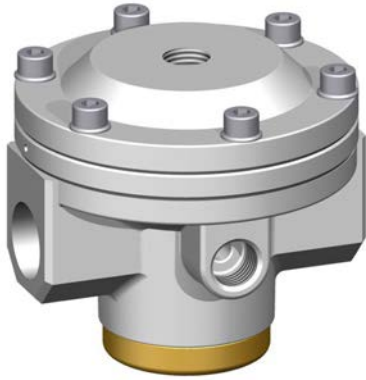
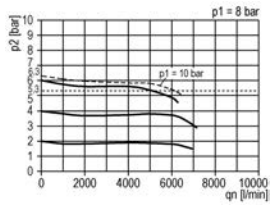


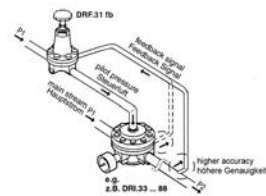
Image shows:  
9.1533.00.100.0V

Image shows:  
9.1533.00.100.0V

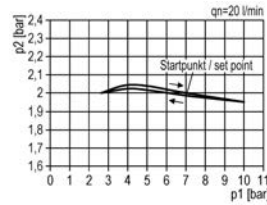
### flow characteristic



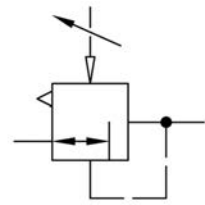
### operating conditions



### pressure characteristic



### symbol



### technical data

- **description:** air line regulator with diaphragm and relieving feature, pneumatic pilot-operated (1:1)
- **medium:** compressed air, neutral gases
- **supply pressure P1 max.:** 25 bar
- **temperature range:** 0 - 80°C

### accessories

- mounting bracket: [BW.30](#)

type	part-number	description
DRI.33	9.1533.00.100.0V	Pressure regulator G1/2 pneumatic pilot operated (G1/4)

Service 3 unit

Service 2 unit

Filter regulator

Filter

Pressure regulator

Lubricator

System extensions

Accessories

Special products

## Pressure regulator pneumatic pilot operated | BG5



Image shows:  
9.1554.00.100.0

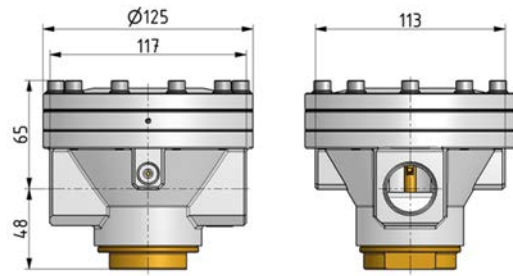
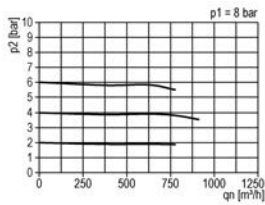
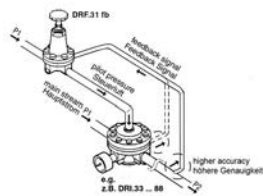


Image shows:  
9.1554.00.100.0

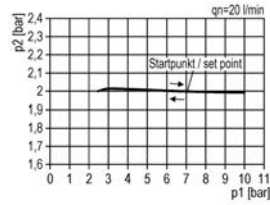
### flow characteristic



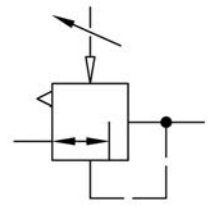
### operating conditions



### pressure characteristic



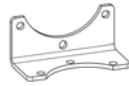
### symbol



### technical data

- **description:** air line regulator with diaphragm and relieving feature, pneumatic pilot-operated (1:1)
- **medium:** compressed air, neutral gases
- **supply pressure P1 max.:** 25 bar
- **temperature range:** 0 - 80°C

### accessories

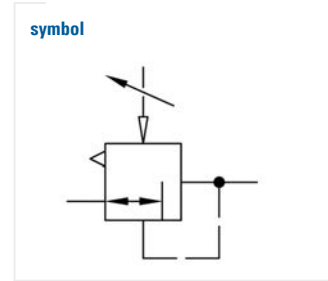
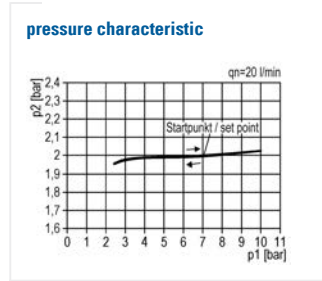
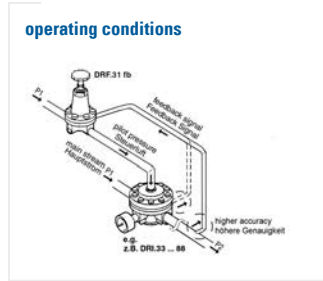
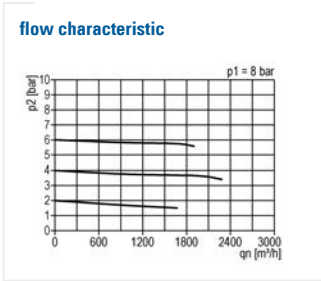
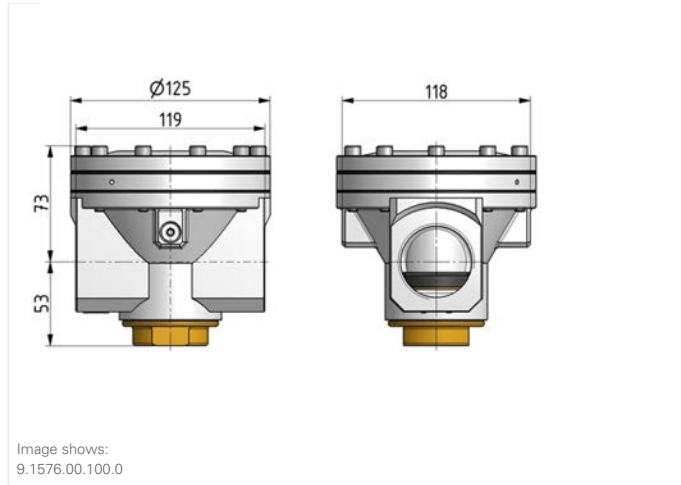
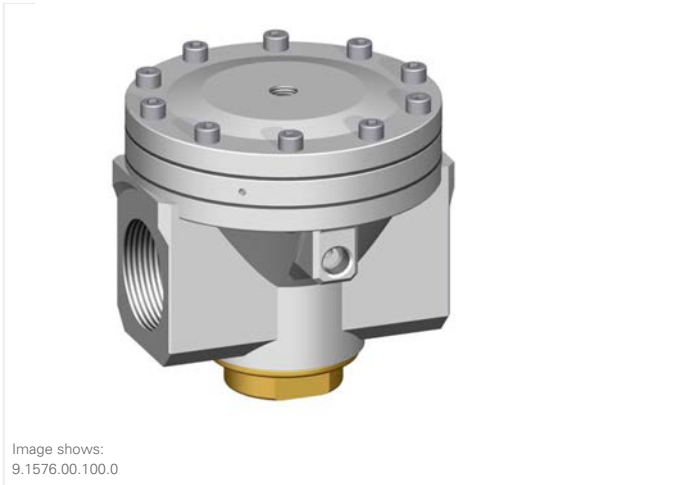


- mounting bracket: [BW.30](#)

type	part-number	description
DRI.54	9.1554.00.100.0	Pressure regulator G3/4 pneumatic pilot operated (G1/4)
DRI.55	9.1555.00.100.0	Pressure regulator G1 pneumatic pilot operated (G1/4)



# Pressure regulator pneumatic pilot operated | BG7



### technical data

- **description:** air line regulator with diaphragm and relieving feature, pneumatic pilot-operated (1:1)
- **medium:** compressed air, neutral gases
- **supply pressure P1 max.:** 25 bar
- **temperature range:** 0 - 80°C

### accessories

- mounting bracket: [BW.50](#)

type	part-number	description
DRI.76	9.1576.00.100.0	Pressure regulator G1 1/4 pneumatic pilot operated (G1/4)
DRI.77	9.1577.00.100.0	Pressure regulator G1 1/2 pneumatic pilot operated (G1/4)

- Service 3 unit
- Service 2 unit
- Filter regulator
- Filter
- Pressure regulator
- Lubricator
- System extensions
- Accessories
- Special products

## Pressure regulator pneumatic pilot operated | BG8



Image shows:  
9.1587.00.100.0V

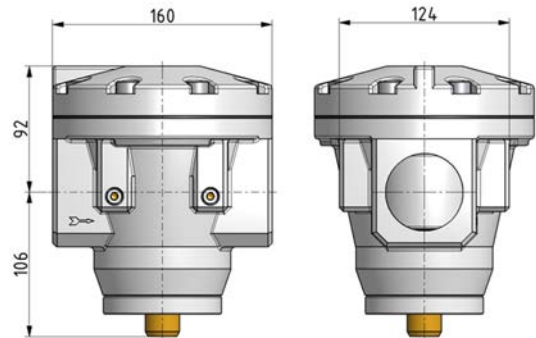
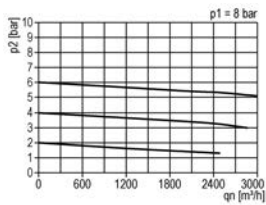
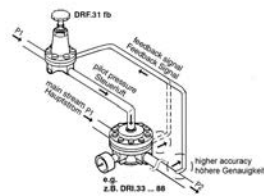


Image shows:  
9.1587.00.100.0V

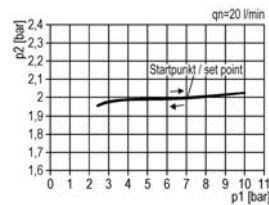
### flow characteristic



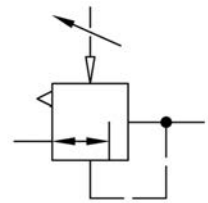
### operating conditions



### pressure characteristic



### symbol



### technical data

- **description:** air line regulator with diaphragm and relieving feature, pneumatic pilot-operated (1:1)
- **medium:** compressed air, neutral gases
- **supply pressure P1 max.:** 25 bar
- **temperature range:** 0 - 80°C

### accessories

type	part-number	description
DRI.87	9.1587.00.100.0V	Pressure regulator G1 1/2 pneumatic pilot operated (G1/4)
DRI.88	9.1588.00.100.0V	Pressure regulator G2 pneumatic pilot operated (G1/4)

## Pressure regulator for oxygen | BGO



Image shows:  
9.1600.00.002

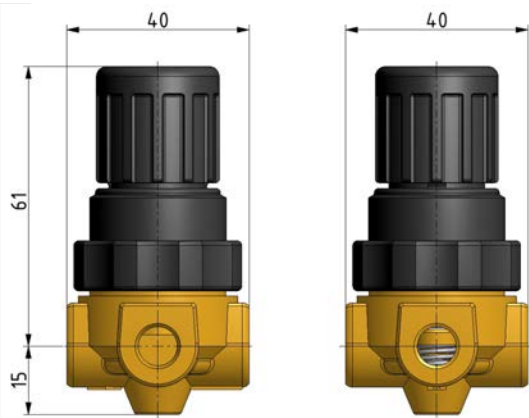
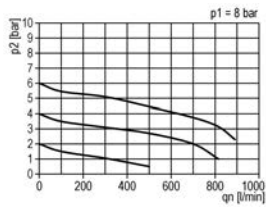
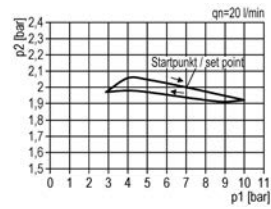


Image shows:  
9.1600.00.002

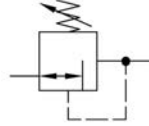
### flow characteristic



### pressure characteristic



### symbol



### technical data

- **description:** air line regulator with diaphragm without relieving feature
- **medium:** compressed air, medical oxygen, NO<sub>2</sub> (nitrous oxide)
- **supply pressure P1 max.:** 14 bar
- **temperature range:** 0 - 50°C

### accessories



- **control panel mounting:**  
[WH.M.30/DR.00-34](#)

type	part-number	description
DR.00 mO	9.1600.00.002	Pressure regulator G1/8 0,5-10 for medical oxygen
DR.01 mO	9.1601.00.016	Pressure regulator G1/4 0,5-10 for medical oxygen

Service 3 unit

Service 2 unit

Filter regulator

Filter

Pressure regulator

Lubricator

System extensions

Accessories

Special products

## Pressure regulator for oxygen | BG3



Image shows:  
9.1633.00.002

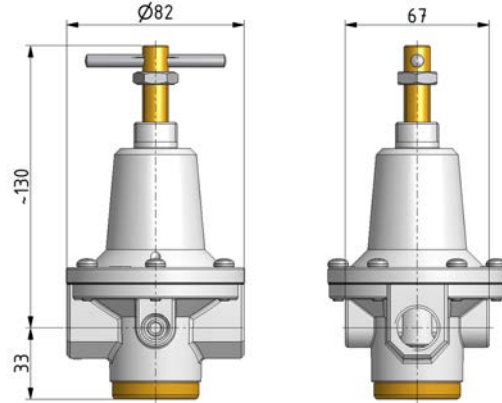
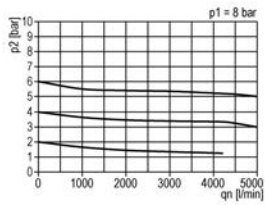
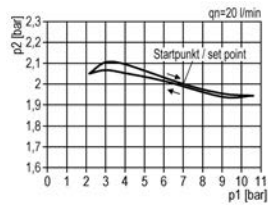


Image shows:  
9.1633.00.002

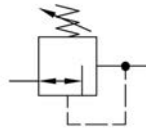
### flow characteristic



### pressure characteristic



### symbol



### technical data

- **description:** air line regulator with diaphragm without relieving feature
- **medium:** compressed air, oxygen, non corrosive gases
- **supply pressure P1 max.:** 14 bar
- **temperature range:** 0 - 50°C

### accessories



- mounting bracket: [BW.30](#)
- control panel mounting: nut DR.11-7

type	part-number	description
DR.33 O	9.1633.00.002	Pressure regulator G1/2 0,5-10 for oxygen, free from grease and oil

## Pressure regulator for oxygen | BG5



Image shows:  
9.1655.00.001.0

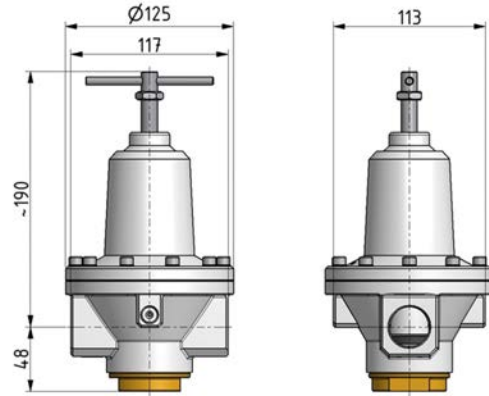
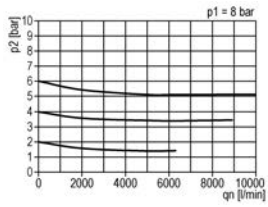
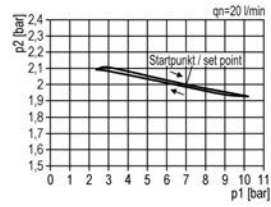


Image shows:  
9.1655.00.001.0

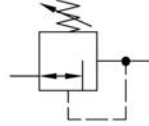
### flow characteristic



### pressure characteristic



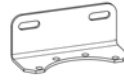
### symbol



### technical data

- **description:** air line regulator with diaphragm without relieving feature
- **medium:** compressed air, oxygen, non corrosive gases
- **supply pressure P1 max.:** 14 bar
- **temperature range:** 0 - 50°C

### accessories



- mounting bracket: [BW.50](#)

### type

DR.55 O

### part-number

9.1655.00.001.0

### description

Pressure regulator G1 0,5-10 for oxygen

Service 3 unit

Service 2 unit

Filter regulator

Filter

Pressure regulator

Lubricator

System extensions

Accessories

Special products

## Pressure regulator stainless steel | BGO



Image shows:  
9.1501.00.1000.V

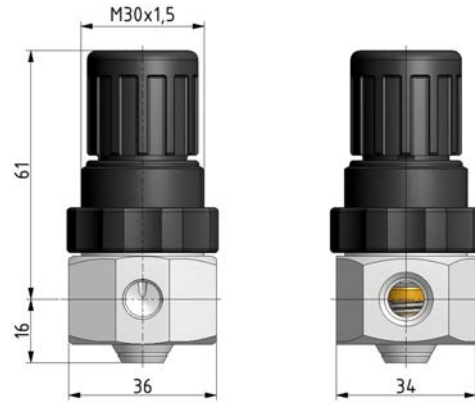
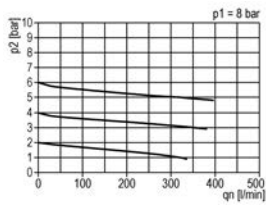
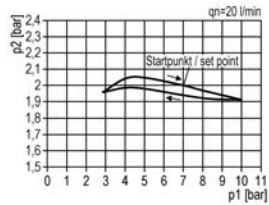


Image shows:  
9.1501.00.1000.V

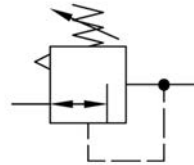
### flow characteristic



### pressure characteristic



### symbol



### technical data

- **description:** air line regulator with diaphragm and relieving feature
- **medium:** compressed air, neutral gases
- **supply pressure P1 max.:** 25 bar
- **temperature range:** 0 - 80°C

### accessories

- **control panel mounting:** nut  
C.00-34

### type

XDR.01

### part-number

9.1501.00.1000.V

### description

Pressure regulator G1/4 0,5-10 stainless steel

Service 3 unit

Service 2 unit

Filter regulator

Filter

Pressure regulator

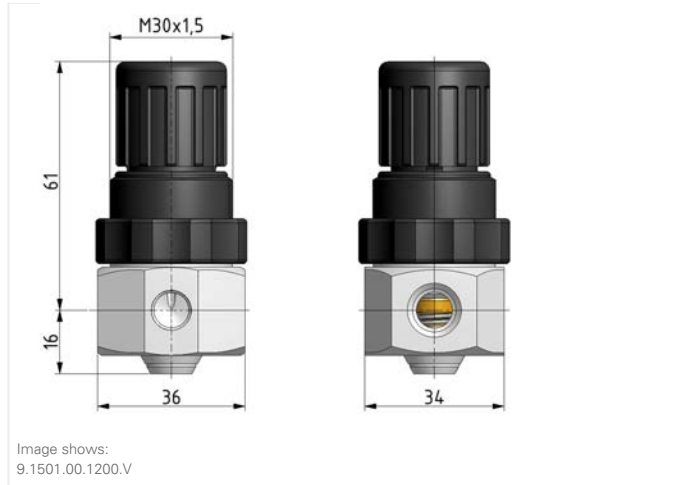
Lubricator

System extensions

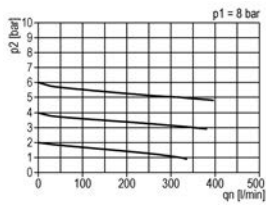
Accessories

Special products

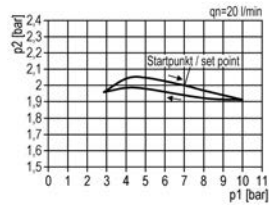
## Pressure regulator stainless steel | BGO



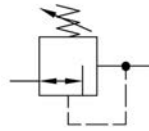
### flow characteristic



### pressure characteristic



### symbol



### technical data

- **description:** air line regulator with diaphragm without relieving feature
- **medium:** compressed air, neutral gases
- **supply pressure P1 max.:** 25 bar
- **temperature range:** 0 - 80°C

### accessories

- **control panel mounting:** nut C.00-34

### type

XXDR.01

### part-number

9.1501.00.1200.V

### description

Pressure regulator G1/4 0,5-10 from stainless steel (V4A), Viton seals

Service 3 unit

Service 2 unit

Filter regulator

Filter

Pressure regulator

Lubricator

System extensions

Accessories

Special products

## Pressure regulator for water | BGO



Image shows:  
9.1500.00.600.V

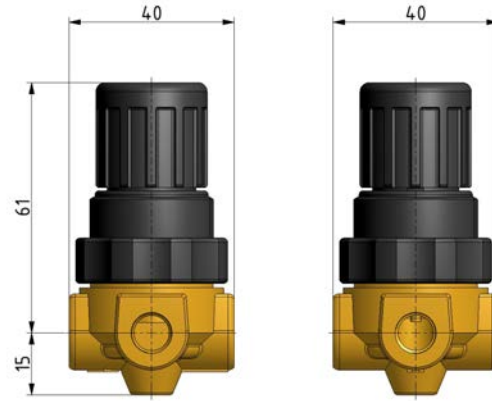
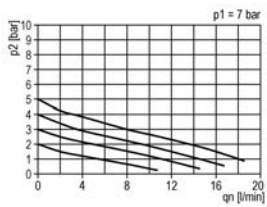
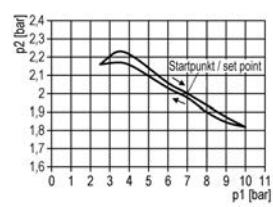


Image shows:  
9.1500.00.600.V

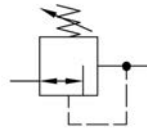
### flow characteristic



### pressure characteristic



### symbol



### technical data

- **description:** air line regulator with diaphragm without relieving feature
- **medium:** water, neutral liquids
- **supply pressure P1 max.:** 25 bar
- **temperature range:** 0 - 50°C

### accessories

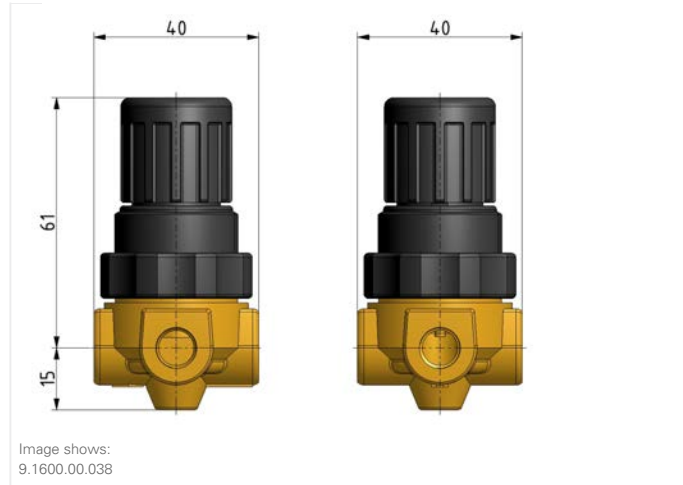
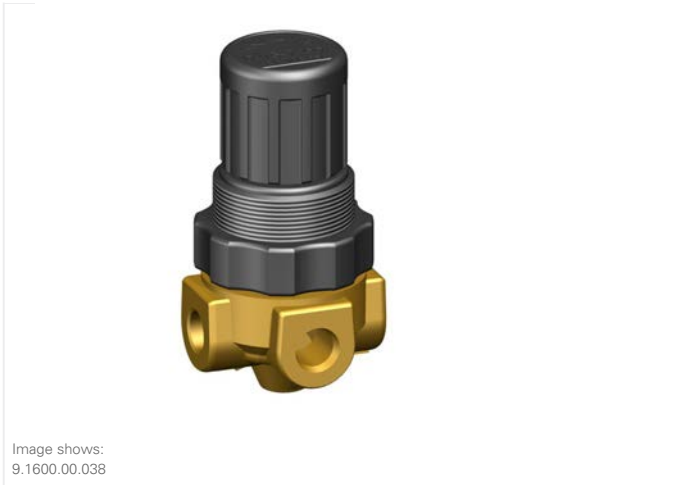


- **control panel mounting:**  
[WH.M.30/DR.00-34](#)

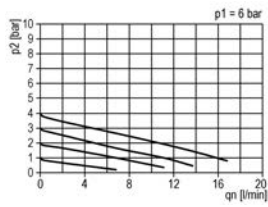
type	part-number	description
DR.021-00	9.1500.00.600.V	Pressure regulator G1/8 0,5-10 for water
DR.021-01	9.1501.00.600.V	Pressure regulator G1/4 0,5-10 for water



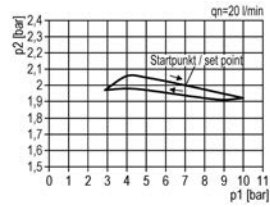
## Pressure regulator for brake fluid | BGO



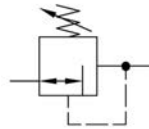
### flow characteristic



### pressure characteristic



### symbol



### technical data

- **description:** air line regulator with diaphragm without relieving feature
- **medium:** brake fluid
- **supply pressure P1 max.:** 25 bar
- **temperature range:** 0 - 50°C

### accessories



- **control panel mounting:**  
[WH.M.30/DR.00-34](#)

type	part-number	description
DR.00 B	9.1600.00.038	Pressure regulator G1/8 0,5-10 for brake fluid (EPDM)
DR.01 B	9.1601.00.038	Pressure regulator G1/4 0,5-10 for brake fluid (EPDM)

## Feedback regulator | BG3



Image shows:  
9.6231.00.516.2V

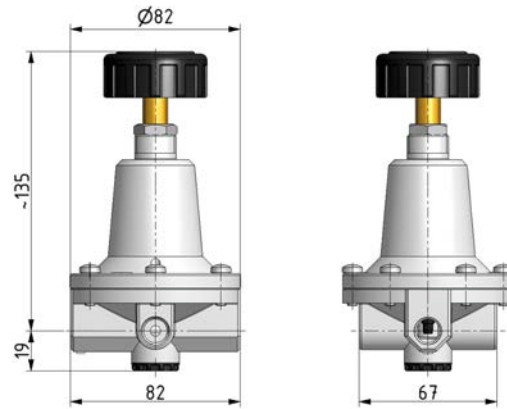
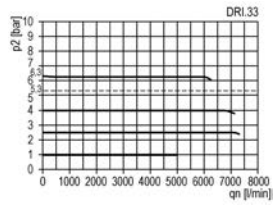
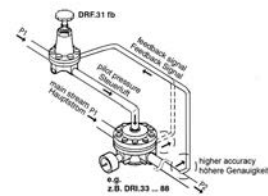


Image shows:  
9.6231.00.516.2V

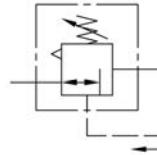
### flow characteristic



### operating conditions



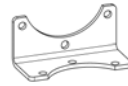
### symbol



### technical data

- **description:** air line regulator with diaphragm for feedback systems (e.g. together with DRI.33 ... 88)
- **medium:** compressed air, neutral gases
- **supply pressure  $P_1$  max.:** 16 bar
- **temperature range:** 0 - 60°C
- **air consumption:** 3 - 6 l/min

### accessories



- mounting bracket: [BW.30](#)

- control panel mounting: nut DR.11-7

type	part-number	description
DRF.31 fb	9.6231.00.516.2V	Feedback regulator G1/4 0,2-7

## Pressure regulator pilot control | BG3



Image shows:  
9.1532.00.200.0V

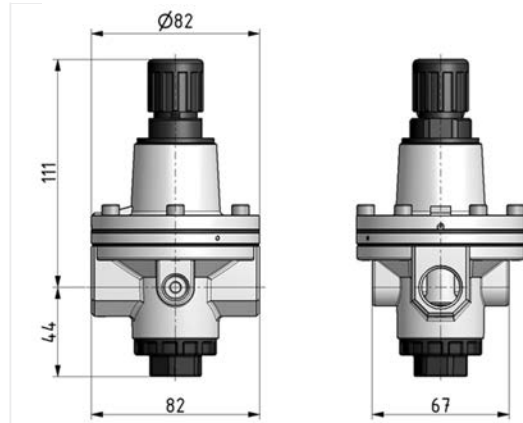
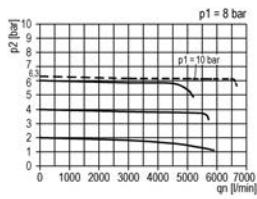
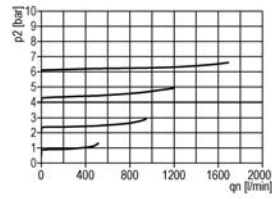


Image shows:  
9.1532.00.200.0V

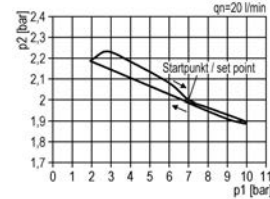
### flow characteristic



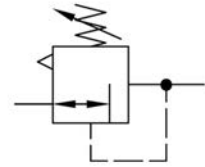
### pressure characteristics



### pressure characteristic



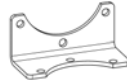
### symbol



### technical data

- **description:** air line regulator with diaphragm and high relieving feature, pilot operated
- **medium:** compressed air, neutral gases
- **supply pressure P1 max.:** 16 bar
- **temperature range:** 0 - 60°C
- **air consumption:** < 1 l/min at P2 6 bar

### accessories



- **mounting bracket:** [FDR.03-52](#)

type	part-number	description
DRP.32 HR	9.1532.00.200.0V	Pressure regulator G3/8 0,5-10 pilot control
DRP.33 HR	9.1533.00.200.0V	Pressure regulator G1/2 0,5-10 pilot control

Service 3 unit

Service 2 unit

Filter regulator

Filter

Pressure regulator

Lubricator

System extensions

Accessories

Special products

## Precision pressure regulator | BG1



Image shows:  
9.6211.00.000.0V

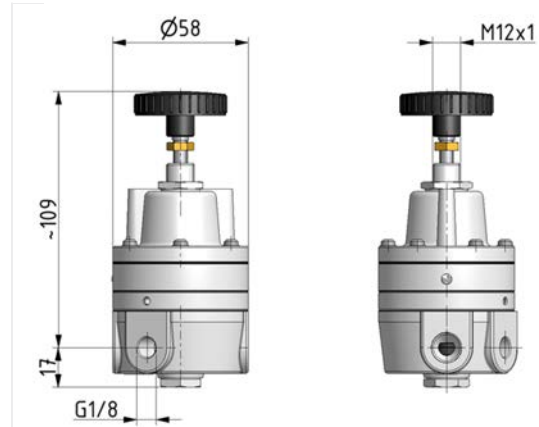
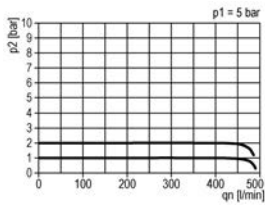
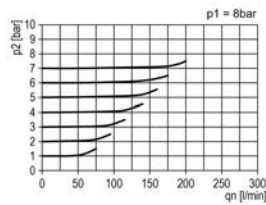


Image shows:  
9.6211.00.000.0V

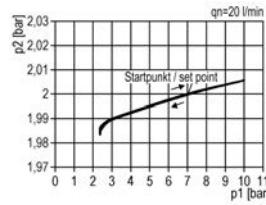
### flow characteristic



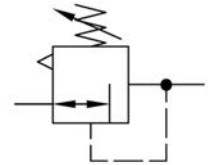
### pressure characteristics



### pressure characteristic



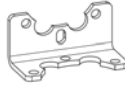
### symbol



### technical data

- **description:** air line regulator with diaphragm and relieving feature
- **medium:** compressed air, neutral gases
- **supply pressure P1 max.:** 16 bar
- **temperature range:** 0 - 60°C
- **air consumption:** < 2,2 l/min at P1 5 bar, < 3,0 l/min at P1 7 bar, < 4,1 l/min at P1 10 bar

### accessories



- **mounting bracket:**  
[FDR.02-52](#)

type	part-number	description
FDR.02 B2 S	9.6211.00.000.0V	Precision pressure regulator G1/4 0,05-2 (nonferrous metal)
FDR.02 B4 S	9.6211.00.001.0V	Precision pressure regulator G1/4 0,05-4 (nonferrous metal)
FDR.02 B7 S	9.6211.00.002.0V	Precision pressure regulator G1/4 0,05-7 (nonferrous metal)
FDR.02 B10 S	9.6211.00.003.0V	Precision pressure regulator G1/4 0,05-10 (nonferrous metal)

## Precision pressure regulator | BG1



Image shows:  
9.6211.00.300

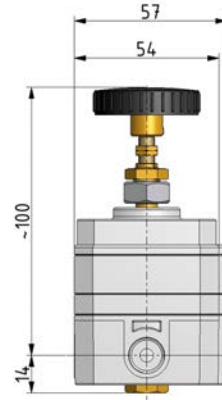
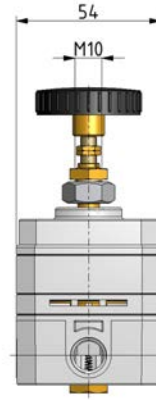
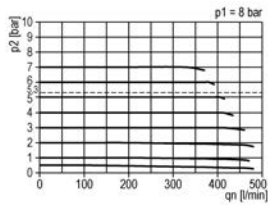


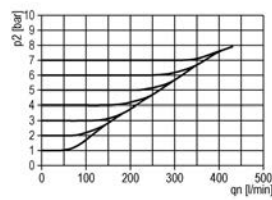
Image shows:  
9.6211.00.300



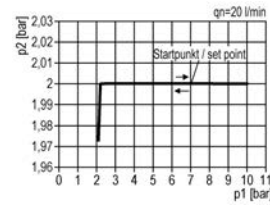
### flow characteristic



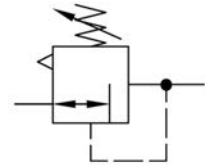
### pressure characteristics



### pressure characteristic



### symbol



### technical data

- **description:** air line regulator with diaphragm and relieving feature, large ventilation cross-section
- **medium:** compressed air, neutral gases
- **supply pressure P1 max.:** 12 bar
- **temperature range:** 0 - 60°C
- **air consumption:** 2,6 l/min at P2 = 6 bar

### accessories



- mounting bracket:  
[FDR.04-34](#)

type	part-number	description
FDR.04 B8	9.6211.00.300	Precision pressure regulator G1/4 0,1-8
FDR.04 B4	9.6211.00.301	Precision pressure regulator G1/4 0,1-4 (yellow)

Service 3 unit

Service 2 unit

Filter regulator

Filter

Pressure regulator

Lubricator

System extensions

Accessories

Special products



# Precision pressure regulator | BG1



Image shows:  
9.6211.00.400/V

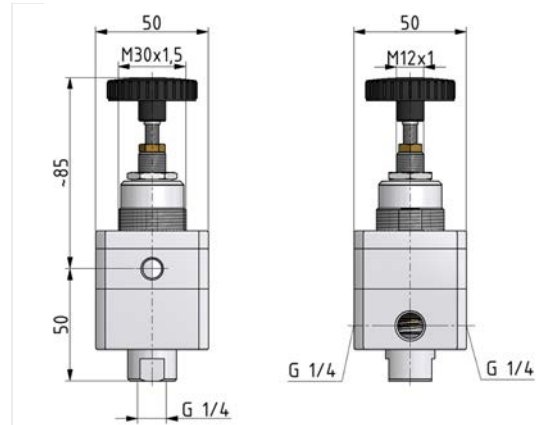
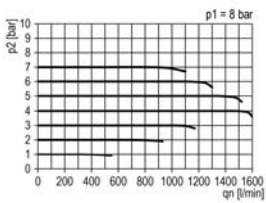
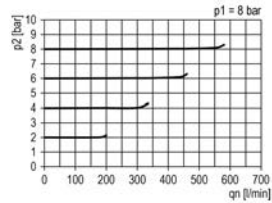


Image shows:  
9.6211.00.400/V

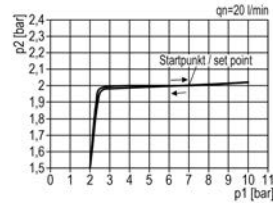
### flow characteristic



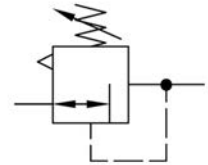
### pressure characteristics



### pressure characteristic



### symbol



### technical data

- **description:** air line regulator with diaphragm and high relieving feature
- **medium:** compressed air, neutral gases
- **supply pressure P1 max.:** 16 bar
- **temperature range:** 0 - 60°C
- **control panel nut:** control panel nut
- **air consumption:** < 1,3 l/min at P1 = 8 bar (shut off for downstream air and air consumption with port size G 1/8 bottom side)

### accessories



- **control panel mounting:**  
[MW.30/DR.00-34-2](#)

type	part-number	description
FDR.07 B8 S	9.6211.00.400/V	Precision pressure regulator G1/4 0,05-8 with panel mounting ring and high relieving feature <b>innovation january 2014</b>

Service 3 unit

Service 2 unit

Filter regulator

Filter

Pressure regulator

Lubricator

System extensions

Accessories

Special products

## Precision pressure regulator | BG3



Image shows:  
9.6231.00.400.0V

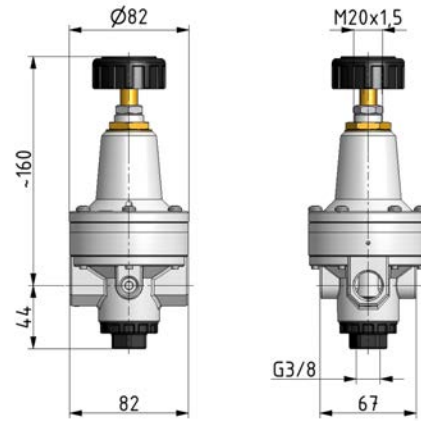
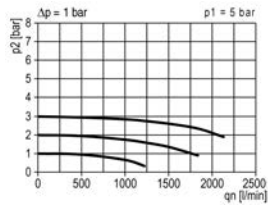
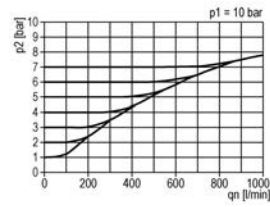


Image shows:  
9.6231.00.400.0V

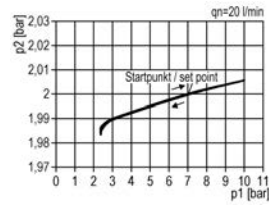
### flow characteristic



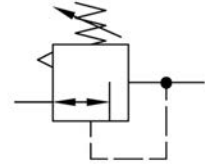
### pressure characteristics



### pressure characteristic



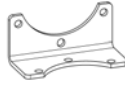
### symbol



### technical data

- **description:** air line regulator with diaphragm and relieving feature
- **medium:** compressed air, neutral gases
- **supply pressure P1 max.:** 16 bar
- **temperature range:** -35°C - 60°C (with absolutely dry air)
- **control panel nut:** control panel nut
- **air consumption:** < 1,5 l/min at P1 5 bar, < 2,0 l/min at P1 7 bar, < 4,0 l/min at P1 10 bar, < 6,0 l/min at P1 12 bar

### accessories



- **mounting bracket:**  
[FDR.03-52](#)

Service 3 unit

Service 2 unit

Filter regulator

Filter

Pressure regulator

Lubricator

System extensions

Accessories

Special products

type	part-number	description
FDR.03-31 B3 S	9.6231.00.400.0V	Precision pressure regulator G1/4 0,05-3
FDR.03-31 B5 S	9.6231.00.401.0V	Precision pressure regulator G1/4 0,05-5
FDR.03-31 B7 S	9.6231.00.402.0V	Precision pressure regulator G1/4 0,05-7
FDR.03-31 B10 S	9.6231.00.403.0V	Precision pressure regulator G1/4 0,05-10
FDR.03-32 B3 S	9.6232.00.400.0V	Precision pressure regulator G3/8 0,05-3
FDR.03-32 B5 S	9.6232.00.401.0V	Precision pressure regulator G3/8 0,05-5
FDR.03-32 B7 S	9.6232.00.402.0V	Precision pressure regulator G3/8 0,05-7
FDR.03-32 B10 S	9.6232.00.403.0V	Precision pressure regulator G3/8 0,05-10
FDR.03-33 B3 S	9.6233.00.400.0V	Precision pressure regulator G1/2 0,05-3
FDR.03-33 B5 S	9.6233.00.401.0V	Precision pressure regulator G1/2 0,05-5
FDR.03-33 B7 S	9.6233.00.402.0V	Precision pressure regulator G1/2 0,05-7
FDR.03-33 B10 S	9.6233.00.403.0V	Precision pressure regulator G1/2 0,05-10

Service 3 unit

Service 2 unit

Filter regulator

Filter

Pressure regulator

Lubricator

System extensions

Accessories

Special products



## Precision pressure regulator pneumatic pilot operated | BG3



Image shows:  
9.6231.00.460.2V

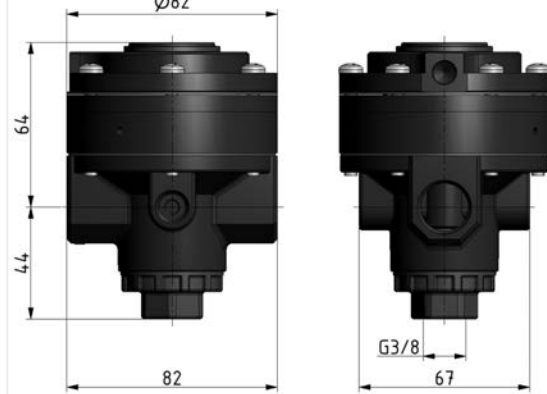
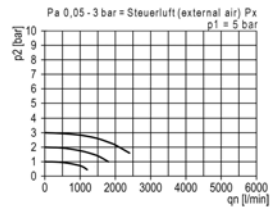
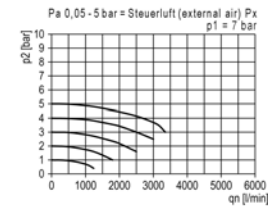


Image shows:  
9.6231.00.460.2V

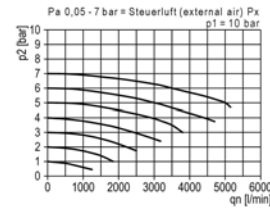
### flow characteristic 1



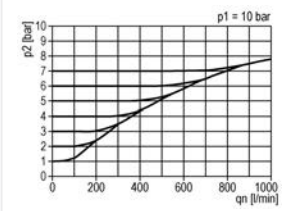
### flow characteristic 2



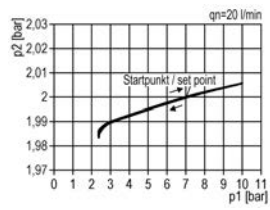
### flow characteristic 3



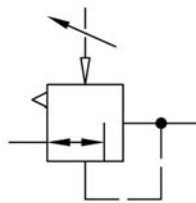
### pressure characteristics



### pressure characteristic



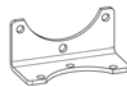
### symbol



### technical data

- **description:** air line regulator with diaphragm and relieving feature, pneumatic pilot-operated (1:1)
- **medium:** compressed air, neutral gases
- **supply pressure P1 max.:** 16 bar
- **temperature range:** -35°C - 60°C (with absolutely dry air)
- **air consumption:** < 6 l/min at P1 16 bar

### accessories



- **mounting bracket:**  
[FDR.03-52](#)

type	part-number	description
FDRI.03-31 B	9.6231.00.460.2V	Precision pressure regulator G1/4 pneumatic pilot operated (G1/8) (black painted)
FDRI.03-32 B	9.6232.00.460.2V	Precision pressure regulator G3/8 pneumatic pilot operated (G1/8) (black painted)
FDRI.03-33 B	9.6233.00.460.2V	Precision pressure regulator G1/2 pneumatic pilot operated (G1/8) (black painted)

## Precision pressure regulator | BG1

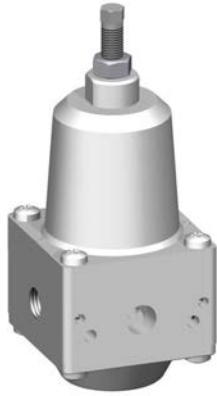


Image shows:  
9.6211.00.163.0V

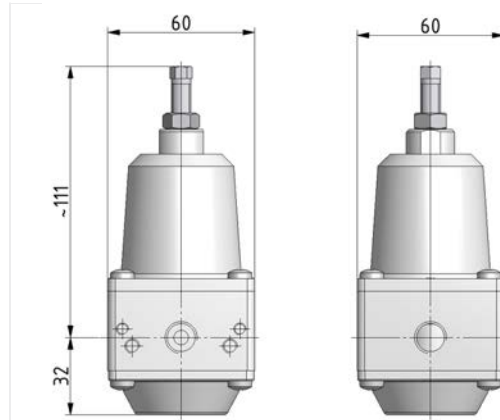
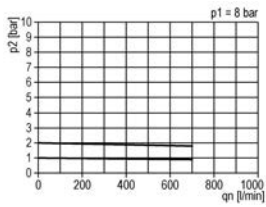
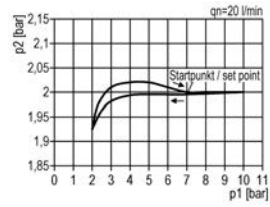


Image shows:  
9.6211.00.163.0V

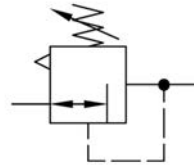
### flow characteristic



### pressure characteristic



### symbol



### technical data

- **description:** air line regulator with diaphragm and relieving feature
- **medium:** compressed air, neutral gases
- **supply pressure P1 max.:** 16 bar
- **temperature range:** 0 - 60°C
- **air consumption:** 0,01 l/min, depend upon secondary pressure

### accessories



- **mounting bracket:**  
[FDP.11-40](#)

type	part-number	description
FDR.11 E2	9.6211.00.163.0V	Precision pressure regulator G1/4 0,1-2
FDR.11 E3	9.6211.00.164.0V	Precision pressure regulator G1/4 0,1-3
FDR.11 E5	9.6211.00.165.0V	Precision pressure regulator G1/4 0,2-5

## Precision regulator | BG3



Image shows:  
9.6231.00.217.0V

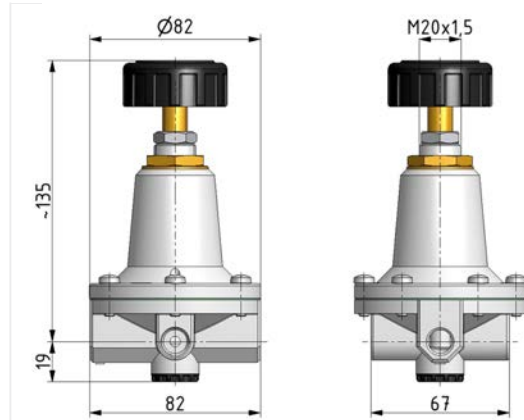
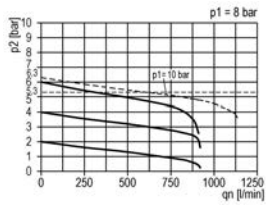
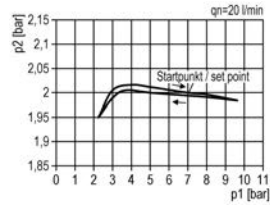


Image shows:  
9.6231.00.217.0V

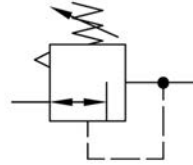
### flow characteristic



### pressure characteristic



### symbol



### technical data

- **description:** air line regulator with diaphragm and relieving feature
- **medium:** compressed air, neutral gases
- **supply pressure P1 max.:** 16 bar
- **temperature range:** 0 - 60°C
- **control panel nut:** control panel nut

### accessories

#### type

DRF.31 S

#### part-number

9.6231.00.217.0V

#### description

Fine pressure regulator G1/4 0,5-10 with panel mounting ring

Service 3 unit

Service 2 unit

Filter regulator

Filter

Pressure regulator

Lubricator

System extensions

Accessories

Special products

## Lubricator | BGO



Image shows:  
9.2300.00.000.0V

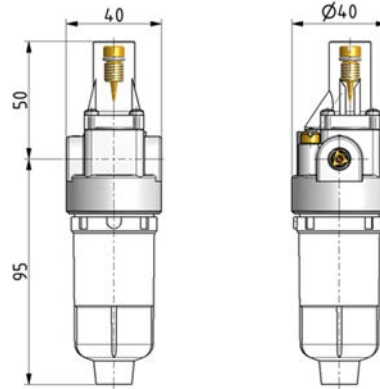
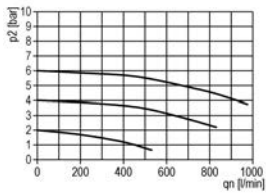
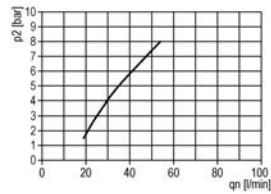


Image shows:  
9.2300.00.000.0V

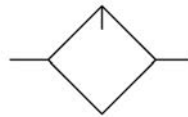
### flow characteristic



### lubricator operating limit



### symbol



### technical data

- **description:** proportional lubricator
- **medium:** compressed air, neutral gases
- **supply pressure P1 max.:** 16 bar
- **temperature range:** 0 - 60°C
- **bowl:** PC
- **mounting:** vertical
- **bowl volume lubricator:** 17 cm<sup>3</sup>
- **oil type:** CL 32 DIN 51517 - ISO VG 32
- **dome assembly:** PC
- **oil fill in:** can be filled with oil during operation

### accessories

type	part-number	description
DO.00	9.2300.00.000.0V	Lubricator G1/8 with PC bowl
DO.00 M	9.2300.00.002.0V	Lubricator G1/8 with metal bowl
DO.01	9.2301.00.000.0V	Lubricator G1/4 with PC bowl
DO.01 M	9.2301.00.002.0V	Lubricator G1/4 with metal bowl

## Lubricator | BG1



Image shows:  
9.2311.00.000.0V

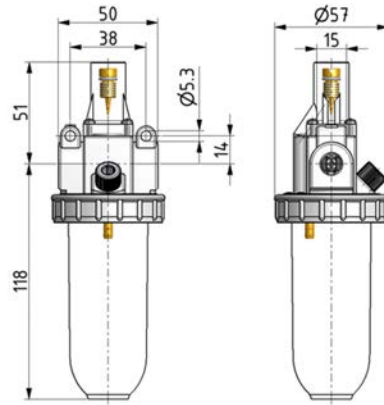
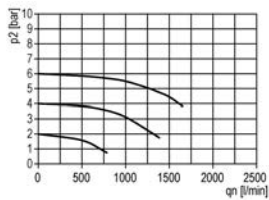
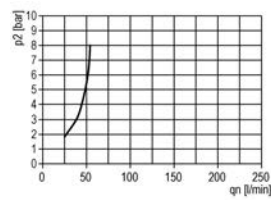


Image shows:  
9.2311.00.000.0V

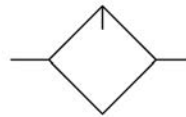
### flow characteristic



### lubricator operating limit



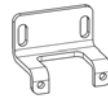
### symbol



### technical data

- **description:** proportional lubricator
- **medium:** compressed air, neutral gases
- **supply pressure P1 max.:** 16 bar
- **temperature range:** 0 - 60°C
- **bowl:** PC
- **mounting:** vertical
- **bowl volume lubricator:** 40 cm<sup>3</sup>
- **oil type:** CL 32 DIN 51517 - ISO VG 32
- **dome assembly:** PC
- **oil fill in:** can be filled with oil during operation

### accessories



- mounting bracket: [ZW.10](#)

- electrical level indicator (version addition: N)

type	part-number	description
DO.11	9.2311.00.000.0V	Lubricator G1/4 with PC bowl
DO.11 M	9.2311.00.0021.V	Lubricator G1/4 with metal bowl and metal dome
DO.11 B	9.2311.00.003.0V	Lubricator G1/4 with PC bowl and bowl guard
DO.12	9.2312.00.000.0V	Lubricator G3/8 with PC bowl
DO.12 M	9.2312.00.0021.V	Lubricator G3/8 with metal bowl and metal dome
DO.12 B	9.2312.00.003.0V	Lubricator G3/8 with PC bowl and bowl guard

Service 3 unit

Service 2 unit

Filter regulator

Filter

Pressure regulator

Lubricator

System extensions

Accessories

Special products

## Lubricator | BG2



Image shows:  
9.2322.00.000.0V

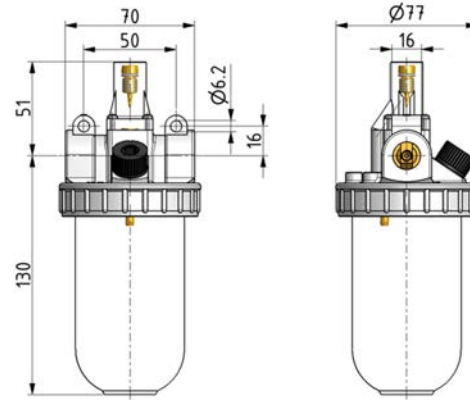
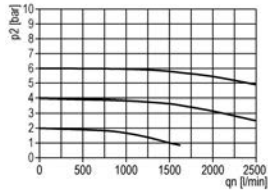
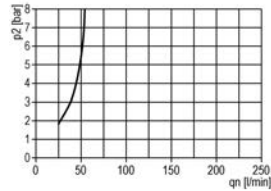


Image shows:  
9.2322.00.000.0V

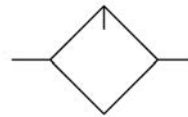
### flow characteristic



### lubricator operating limit



### symbol



### technical data

- **description:** proportional lubricator
- **medium:** compressed air, neutral gases
- **supply pressure P1 max.:** 16 bar
- **temperature range:** 0 - 60°C
- **bowl:** PC
- **mounting:** vertical
- **bowl volume lubricator:** 110 cm<sup>3</sup>
- **oil type:** CL 32 DIN 51517 - ISO VG 32
- **dome assembly:** PC
- **oil fill in:** can be filled with oil during operation

### accessories

- **mounting bracket:** [ZW.30](#)
- **electrical level indicator** (version addition: N)

type	part-number	description
DO.22	9.2322.00.000.0V	Lubricator G3/8 with PC bowl
DO.22 M	9.2322.00.002.0V	Lubricator G3/8 with metal bowl
DO.22 B	9.2322.00.003.0V	Lubricator G3/8 with PC bowl and bowl guard
DO.23	9.2323.00.000.0V	Lubricator G1/2 with PC bowl
DO.23 M	9.2323.00.002.0V	Lubricator G1/2 with metal bowl
DO.23 B	9.2323.00.003.0V	Lubricator G1/2 with PC bowl and bowl guard

## Lubricator | BG3



Image shows:  
9.2333.00.000.0V

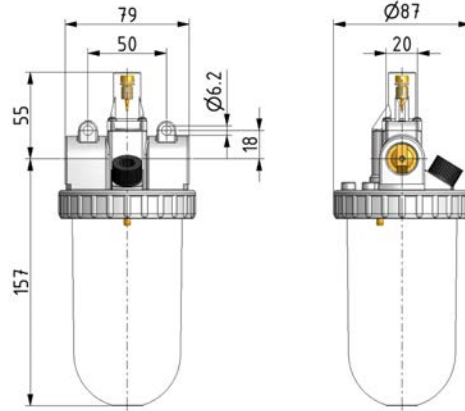
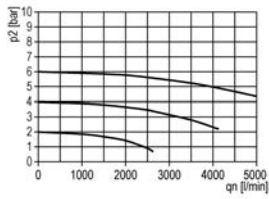
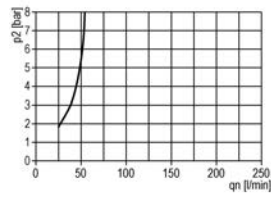


Image shows:  
9.2333.00.000.0V

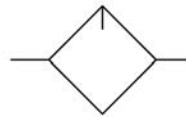
### flow characteristic



### lubricator operating limit



### symbol



### technical data

- **description:** proportional lubricator
- **medium:** compressed air, neutral gases
- **supply pressure P1 max.:** 16 bar
- **temperature range:** 0 - 60°C
- **bowl:** PC
- **mounting:** vertical
- **bowl volume lubricator:** 135 cm<sup>3</sup>
- **oil type:** CL 32 DIN 51517 - ISO VG 32
- **dome assembly:** PC
- **oil fill in:** can be filled with oil during operation

### accessories



- mounting bracket: [ZW.30](#)

- electrical level indicator (version addition: N)

type	part-number	description
DO.33	9.2333.00.000.0V	Lubricator G1/2 with PC bowl
DO.33 M	9.2333.00.0021.V	Lubricator G1/2 with metal bowl, metal dome and brass oil filler screw
DO.33 B	9.2333.00.003.0V	Lubricator G1/2 with PC bowl and bowl guard

Service 3 unit

Service 2 unit

Filter regulator

Filter

Pressure regulator

Lubricator

System extensions

Accessories

Special products

## Lubricator | BG3

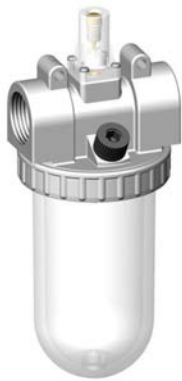


Image shows:  
9.2334.00.000.0V

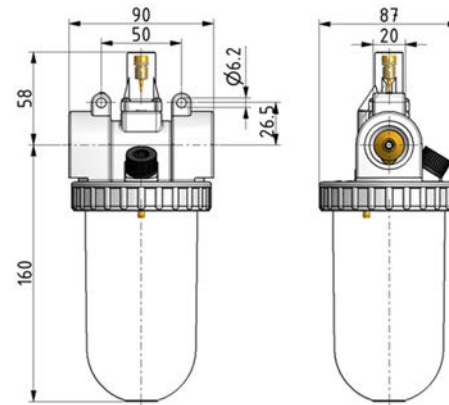
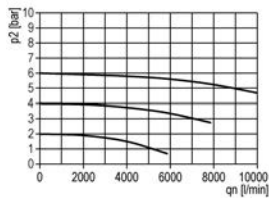
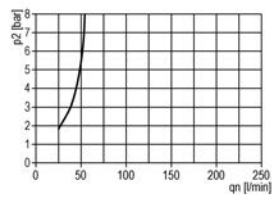


Image shows:  
9.2334.00.000.0V

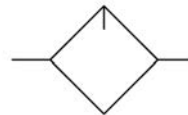
### flow characteristic



### lubricator operating limit



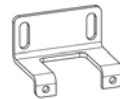
### symbol



### technical data

- **description:** proportional lubricator
- **medium:** compressed air, neutral gases
- **supply pressure P1 max.:** 16 bar
- **temperature range:** 0 - 60°C
- **bowl:** PC
- **mounting:** vertical
- **bowl volume lubricator:** 135 cm<sup>3</sup>
- **oil type:** CL 32 DIN 51517 - ISO VG 32
- **dome assembly:** PC
- **oil fill in:** can be filled with oil during operation

### accessories



- mounting bracket: [ZW.30](#)

- electrical level indicator (version addition: N)

type	part-number	description
DO.34	9.2334.00.000.0V	Lubricator G3/4 with PC bowl
DO.34 M	9.2334.00.002.0	Lubricator G 3/4 with metal bowl
DO.34 B	9.2334.00.003.0	Lubricator G 3/4 with metal bowl and bowl guard
DO.35	9.2335.00.000.0V	Lubricator G1 with PC bowl
DO.35 M	9.2335.00.002.0	Lubricator G1 with metal bowl
DO.35 B	9.2335.00.003.0	Lubricator G1 with PC bowl and bowl guard



## Lubricator | BG5



Image shows:  
9.2354.00.000.0

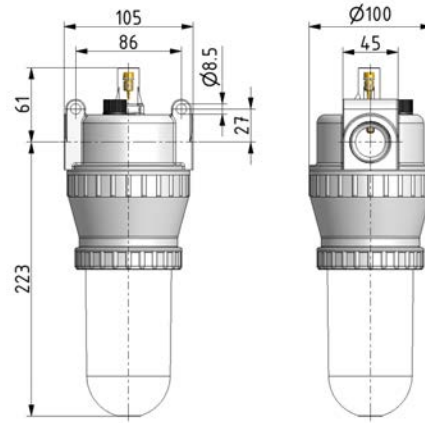
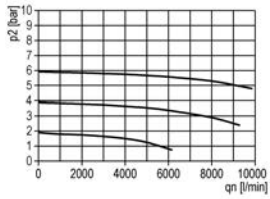
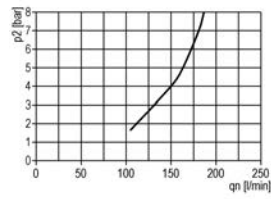


Image shows:  
9.2354.00.000.0

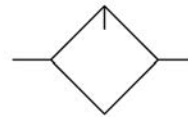
### flow characteristic



### lubricator operating limit



### symbol



### technical data

- **description:** proportional lubricator
- **medium:** compressed air, neutral gases
- **supply pressure P1 max.:** 16 bar
- **temperature range:** 0 - 60°C
- **bowl:** PC
- **mounting:** vertical
- **bowl volume lubricator:** 550 cm<sup>3</sup>
- **oil type:** CL 32 DIN 51517 - ISO VG 32
- **dome assembly:** PC
- **oil fill in:** can be filled with oil during operation

### accessories

- electrical level indicator (version addition: N)

Service 3 unit

Service 2 unit

Filter regulator

Filter

Pressure regulator

Lubricator

System extensions

Accessories

Special products

Service 3 unit

Service 2 unit

Filter regulator

Filter

Pressure regulator

**Lubricator**

System extensions

Accessories

Special products

type	part-number	description
DO.54	9.2354.00.000.0	Lubricator G3/4 with PC bowl
DO.54 M	9.2354.00.002.01	Lubricator G3/4 with metal bowl and metal dome
DO.54 M/1,5L	9.2354.00.002.02	Lubricator G3/4 with metal bowl (long)
DO.54 B	9.2354.00.003.0	Lubricator G3/4 with PC bowl and bowl guard
DO.55	9.2355.00.000.0	Lubricator G1 with PC bowl
DO.55 M	9.2355.00.002.01	Lubricator G1 with metal bowl and metal dome
DO.55 M/1,5L	9.2355.00.002.02	Lubricator G1 with metal bowl (long)
DO.55 B	9.2355.00.003.0	Lubricator G1 with PC bowl and bowl guard

## Lubricator | BG5

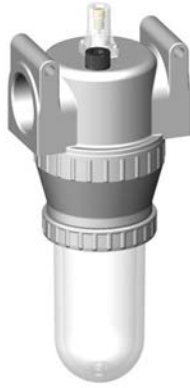


Image shows:  
9.2357.00.000.0V

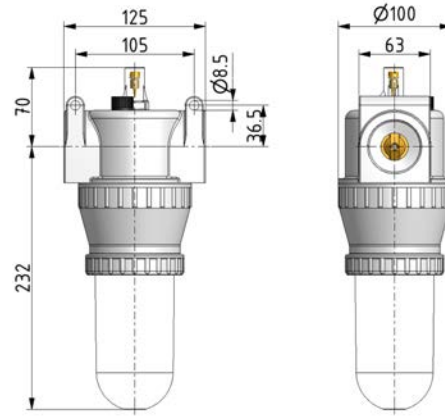
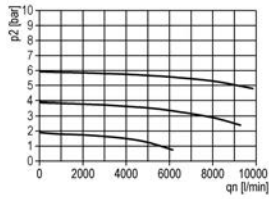
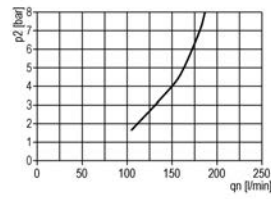


Image shows:  
9.2357.00.000.0V

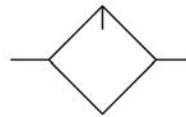
### flow characteristic



### lubricator operating limit



### symbol



### technical data

- **description:** proportional lubricator
- **medium:** compressed air, neutral gases
- **supply pressure P1 max.:** 16 bar
- **temperature range:** 0 - 60°C
- **bowl:** PC
- **mounting:** vertical
- **bowl volume lubricator:** 550 cm<sup>3</sup>
- **oil type:** CL 32 DIN 51517 - ISO VG 32
- **dome assembly:** PC
- **oil fill in:** can be filled with oil during operation

### accessories

- electrical level indicator (version addition: N)

type	part-number	description
DO.57	9.2357.00.000.0V	Lubricator G1 ½ with PC bowl
DO.57 M	9.2357.00.002.0	Lubricator G1 ½ with metal bowl
DO.57 M/1,5L	9.2357.00.002.02	Lubricator G1 ½ with metal bowl (long)
DO.57 B	9.2357.00.003.0V	Lubricator G1 ½ with PC bowl and bowl guard

Service 3 unit

Service 2 unit

Filter regulator

Filter

Pressure regulator

Lubricator

System extensions

Accessories

Special products

## Lubricator | BG8



Image shows:  
9.2386.00.000.0

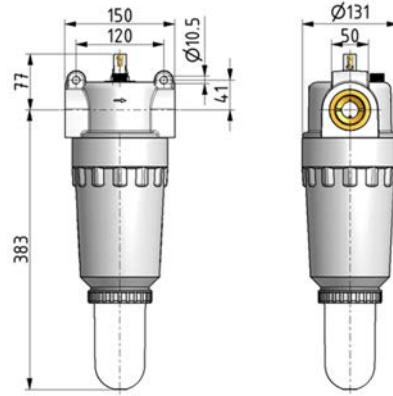
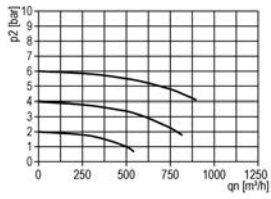
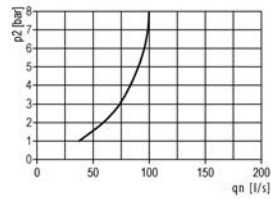


Image shows:  
9.2386.00.000.0

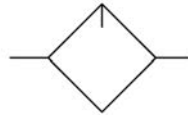
### flow characteristic



### lubricator operating limit



### symbol



### technical data

- **description:** proportional lubricator
- **medium:** compressed air, neutral gases
- **supply pressure P1 max.:** 16 bar
- **temperature range:** 0 - 60°C
- **bowl:** PC
- **mounting:** vertical
- **bowl volume lubricator:** 1700 cm<sup>3</sup>
- **oil type:** CL 32 DIN 51517 - ISO VG 32
- **dome assembly:** PC
- **oil fill in:** can be filled with oil during operation

### accessories

- electrical level indicator  
(version addition: N)

Service 3 unit

Service 2 unit

Filter regulator

Filter

Pressure regulator

Lubricator

System extensions

Accessories

Special products

type	part-number	description
DO.86	9.2386.00.000.0	Lubricator G1 1/4 with PC bowl
DO.86 M	9.2386.00.002.0	Lubricator G1 1/4 with metal bowl
DO.86 B	9.2386.00.003.0	Lubricator G1 1/4 with PC bowl and bowl guard
DO.87	9.2387.00.000.0	Lubricator G1 1/2 with PC bowl
DO.87 M	9.2387.00.002.0	Lubricator G1 1/2 with metal bowl
DO.87 B	9.2387.00.003.0	Lubricator G1 1/2 with PC bowl and bowl guard
DO.88	9.2388.00.000.0	Lubricator G2 with PC bowl
DO.88 M	9.2388.00.002.01	Lubricator G2 with metal bowl and metal dome
DO.88 B	9.2388.00.003.0	Lubricator G2 with PC bowl and bowl guard

Service 3 unit

Service 2 unit

Filter regulator

Filter

Pressure regulator

**Lubricator**

System extensions

Accessories

Special products

## Mounting bracket | BG1

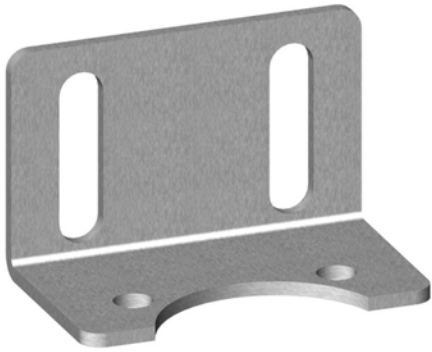


Image shows:  
5.9711.04.000

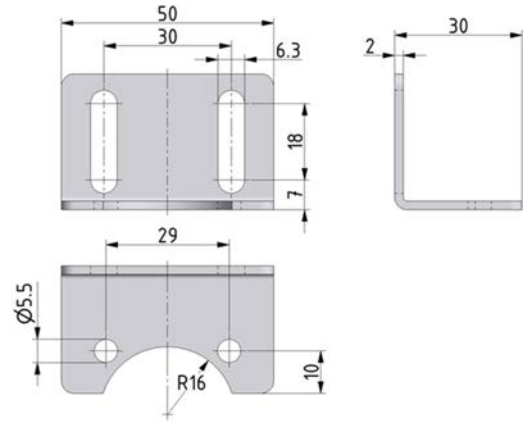


Image shows:  
5.9711.04.000

Service 3 unit

Service 2 unit

Filter regulator

Filter

Pressure regulator

Lubricator

System extensions

Accessories

Special products

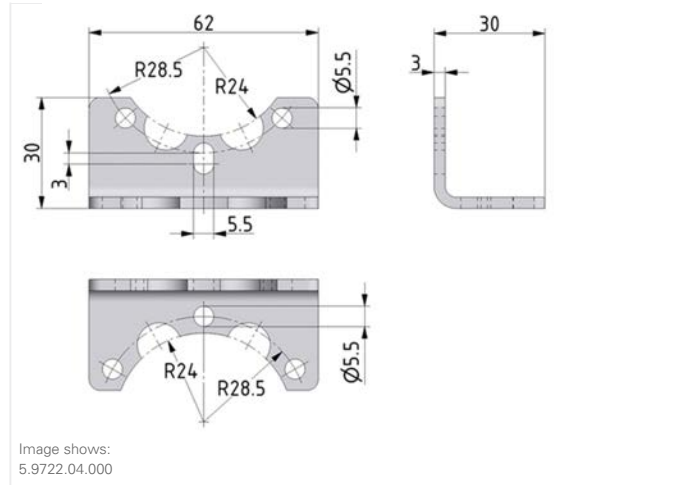
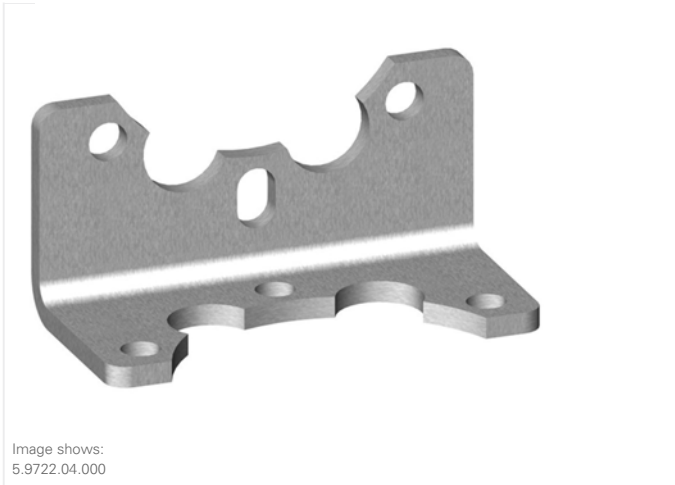
### technical data

- **description:** Mounting bracket
- **material:** steel galvanized
- **fixing:** mounting with 3 screws

### accessories

type	part-number	description
BW.10	5.9711.04.000	Mounting bracket galvanized

## Mounting bracket | BG2



### technical data

- **description:** Mounting bracket
- **material:** steel galvanized
- **fixing:** mounting with 3 screws

### accessories

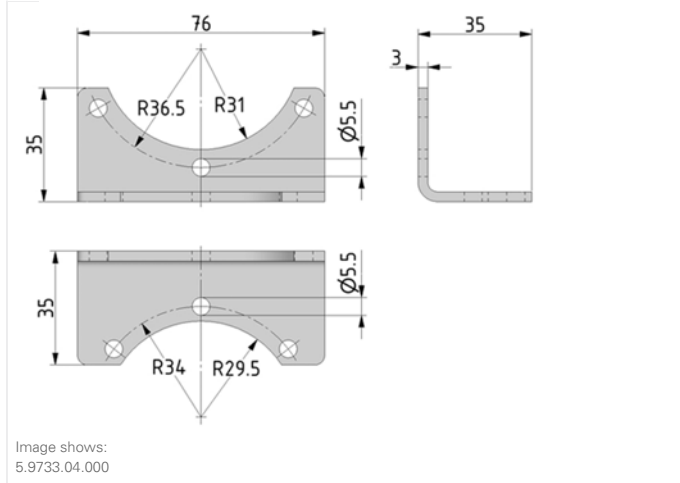
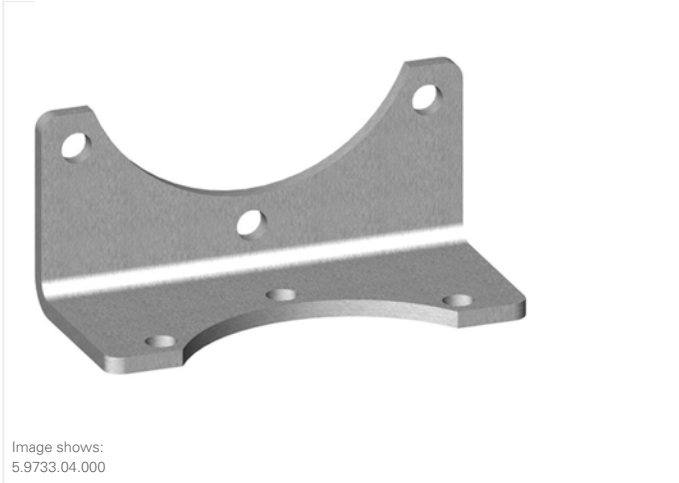
type	part-number	description
BW.20	5.9722.04.000	Mounting bracket galvanized

- Service 3 unit
- Service 2 unit
- Filter regulator
- Filter
- Pressure regulator
- Lubricator
- System extensions
- Accessories
- Special products

## Mounting bracket | BG3

Service 3 unit

Service 2 unit



Filter regulator

Filter

Pressure regulator

Lubricator

System extensions

### technical data

- **description:** Mounting bracket
- **material:** steel galvanized
- **fixing:** mounting with 3 screws

### accessories

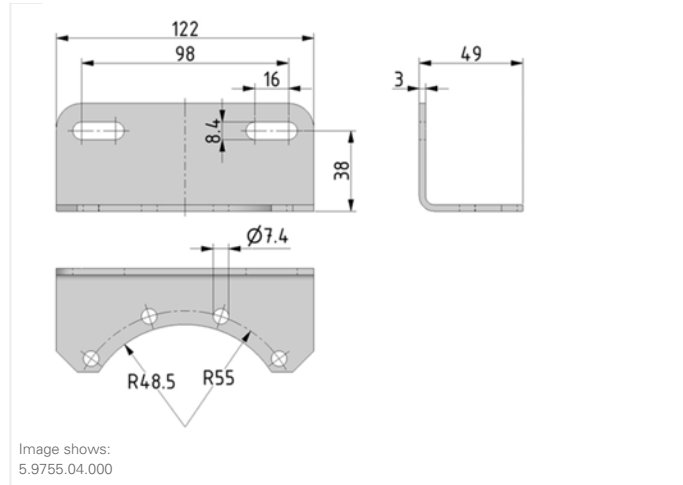
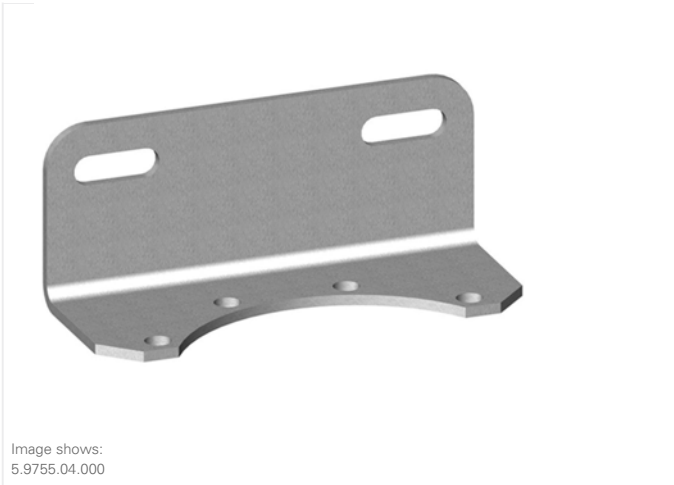
type	part-number	description
BW.30	5.9733.04.000	Mounting bracket galvanized

Accessories

Special products



## Mounting bracket | BG5



### technical data

- **description:** Mounting bracket
- **material:** steel galvanized
- **fixing:** mounting with 3 screws

### accessories

type	part-number	description
BW.50	5.9755.04.000	Mounting bracket galvanized

Service 3 unit

Service 2 unit

Filter regulator

Filter

Pressure regulator

Lubricator

System extensions

Accessories

Special products

## Bracket kit | BG1

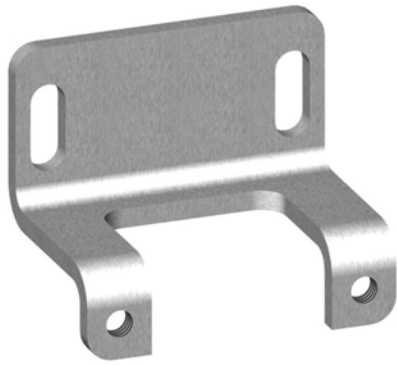


Image shows:  
9.9711.00.000

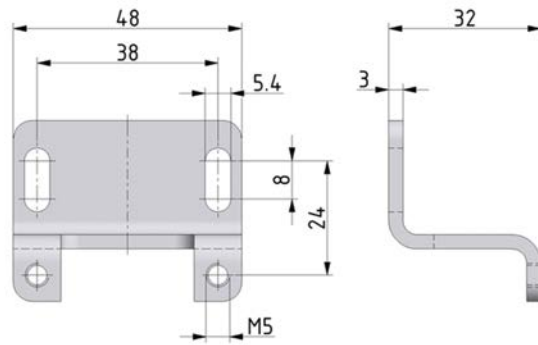


Image shows:  
9.9711.00.000

Service 3 unit

Service 2 unit

Filter regulator

Filter

Pressure regulator

Lubricator

System extensions

Accessories

Special products

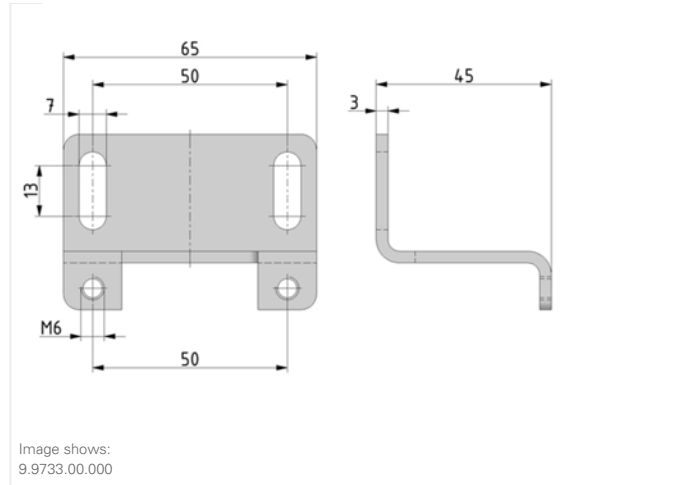
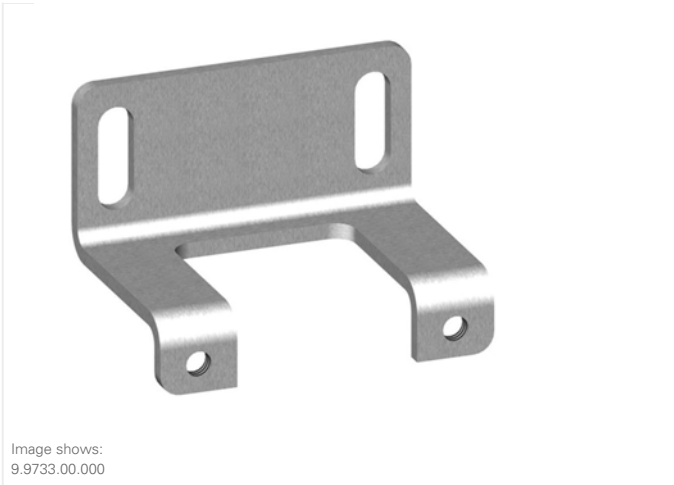
### technical data

- **description:** Mounting bracket
- **material:** steel galvanized
- **fixing:** mounting with 2 screws

### accessories

type	part-number	description
ZW.10	9.9711.00.000	Mounting bracket (ZW.10+2x screw M5x20 DIN84)

## Bracket kit | BG2, BG3



### technical data

- **description:** Mounting bracket
- **material:** steel galvanized
- **fixing:** mounting with 2 screws

### accessories

type	part-number	description
ZW.30	9.9733.00.000	Mounting bracket (ZW.30+2x screw M6x25 DIN84)

Service 3 unit

Service 2 unit

Filter regulator

Filter

Pressure regulator

Lubricator

System extensions

Accessories

Special products

## Bracket kit | FDP.11

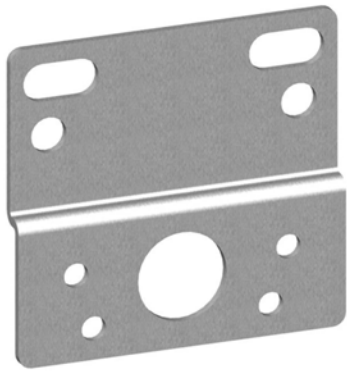


Image shows:  
9.9711.00.006

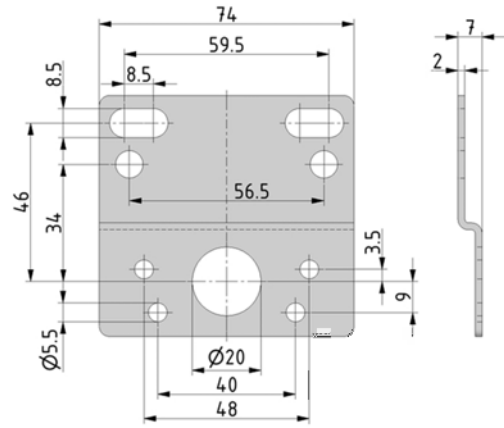


Image shows:  
9.9711.00.006

Service 3 unit

Service 2 unit

Filter regulator

Filter

Pressure regulator

Lubricator

System extensions

Accessories

Special products

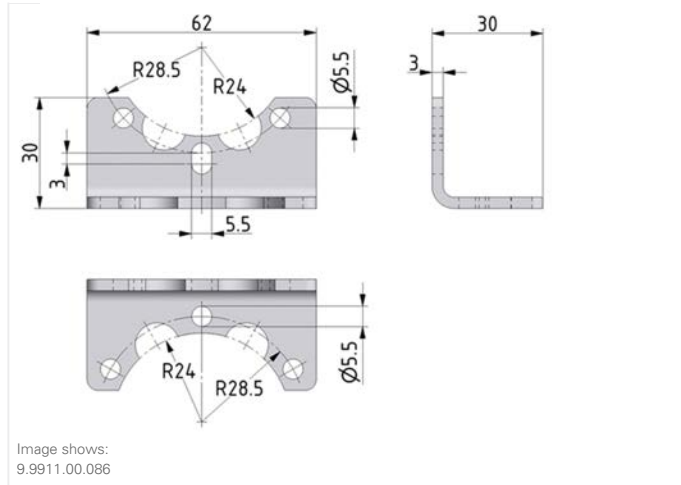
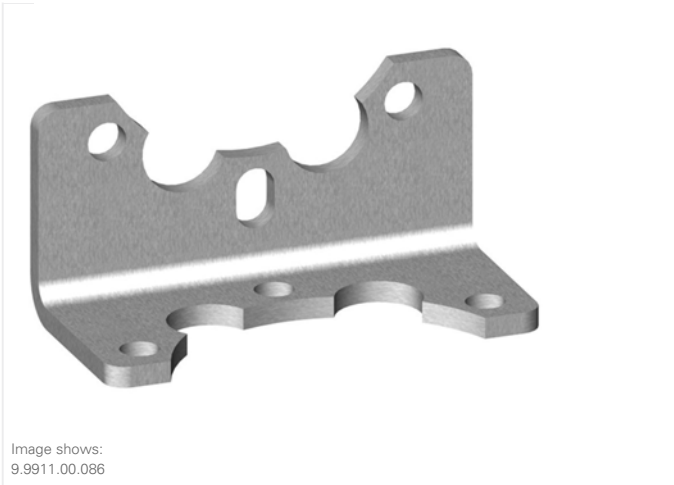
### technical data

- **description:** Mounting bracket
- **material:** stainless steel
- **fixing:** mounting with 2 screws

### accessories

type	part-number	description
FDP.11-40	9.9711.00.006	Mounting bracket (FDP.11-40+2x screw M5x10 DIN84)

## Mounting bracket | FDR.02



### technical data

- **description:** Mounting bracket
- **material:** steel galvanized
- **fixing:** mounting with 3 screws

### accessories

type	part-number	description
FDR.02-52	9.9911.00.086	Mounting bracket galvanized

- Service 3 unit
- Service 2 unit
- Filter regulator
- Filter
- Pressure regulator
- Lubricator
- System extensions
- Accessories
- Special products

## Mounting bracket | FDR.04

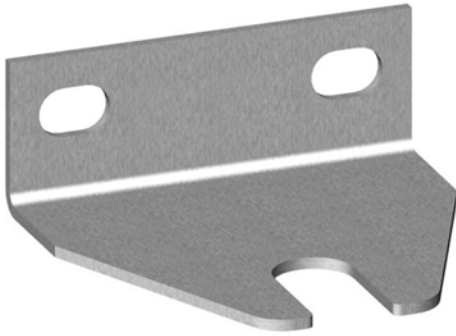


Image shows:  
9.9911.00.067

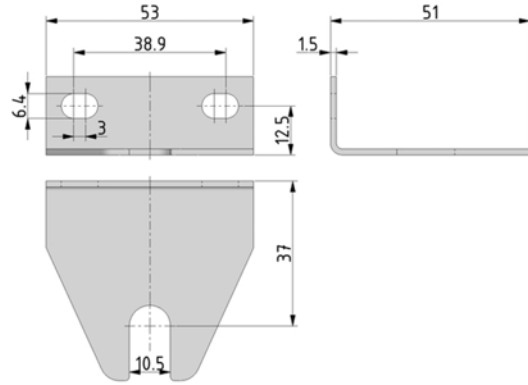


Image shows:  
9.9911.00.067

Service 3 unit

Service 2 unit

Filter regulator

Filter

Pressure regulator

Lubricator

System extensions

Accessories

Special products

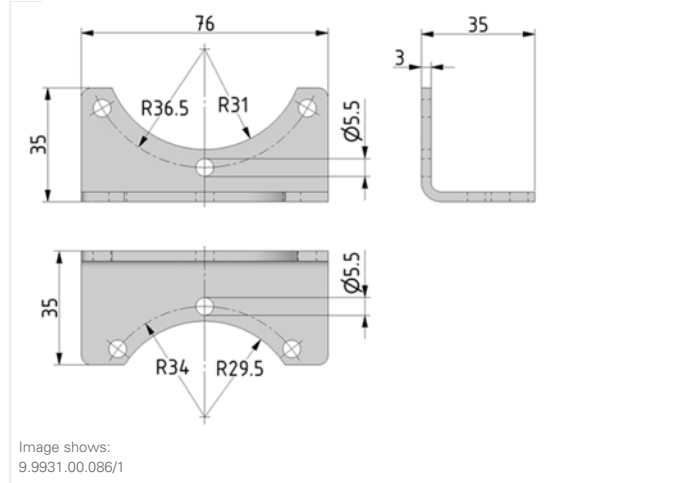
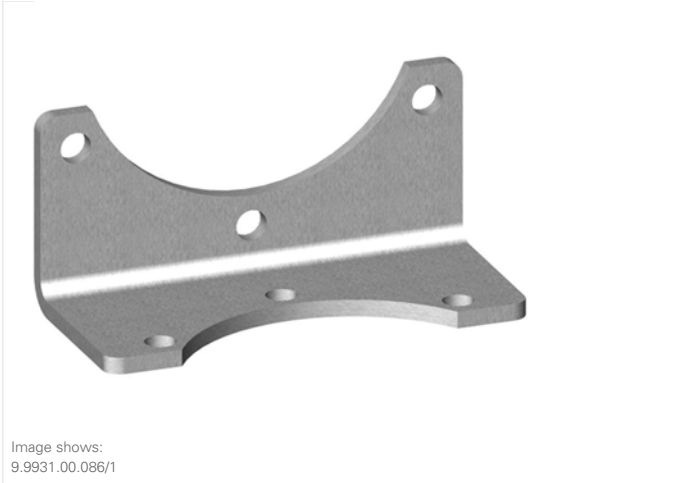
### technical data

- **description:** Mounting bracket
- **material:** steel galvanized
- **fixing:** mounting with 1 nut

### accessories

type	part-number	description
FDR.04-34	9.9911.00.067	Mounting bracket galvanized

## Bracket kit | BG3



### technical data

- **description:** Mounting bracket
- **material:** steel galvanized
- **fixing:** mounting with 3 screws

### accessories

type	part-number	description
FDR.03-52	9.9931.00.086/1	Mounting bracket (BW.30+3x screw M5x45 ISO4762+6x5 ISO7090)

Service 3 unit

Service 2 unit

Filter regulator

Filter

Pressure regulator

Lubricator

System extensions

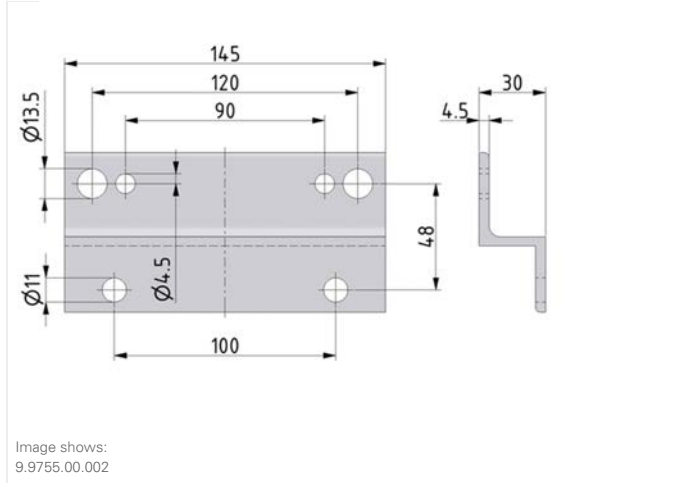
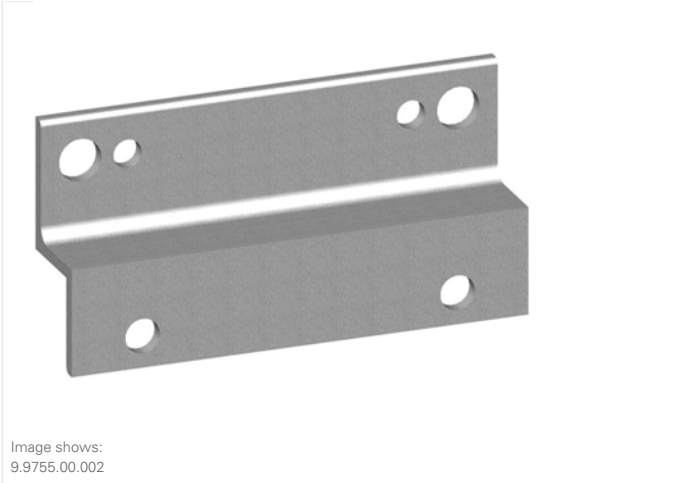
Accessories

Special products

## Bracket kit | ZFL.55

Service 3 unit

Service 2 unit



Filter regulator

Filter

### technical data

- **description:** Mounting bracket
- **material:** steel galvanized
- **fixing:** mounting with 2 screws

### accessories

Pressure regulator

Lubricator

System extensions

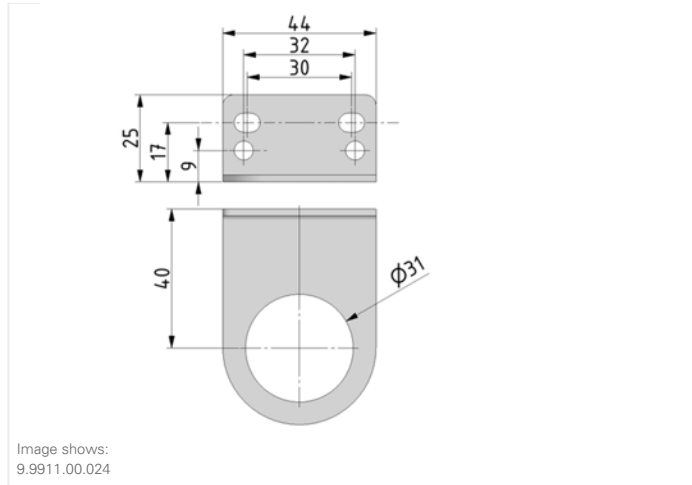
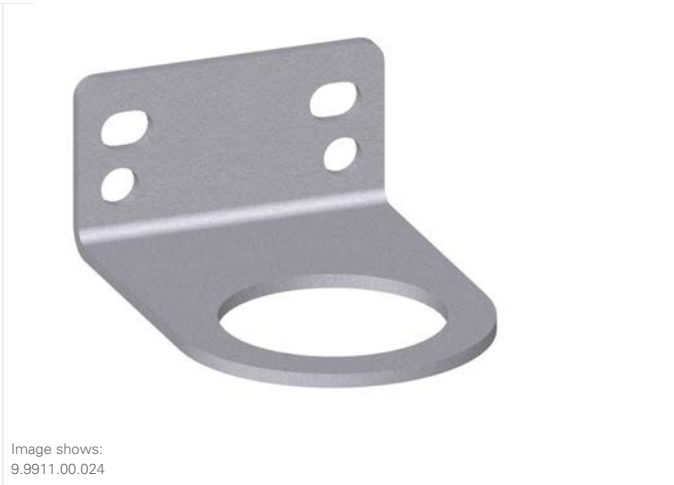
type	part-number	description
ZFL.55-22	9.9755.00.002	Mounting bracket (ZFL.55-22+4x screw M10x25 DIN933+4x10 ISO7090)

Accessories

Special products



## Mounting bracket for panel mounting | BGO



### technical data

- **description:** Mounting bracket for panel mounting
- **material:** steel galvanized
- **fixing:** control panel nut and 2 screws for fixation to wall

### accessories

type	part-number	description
WH.M 30/DR.00-34	9.9911.00.024	Bracket galvanized and nut M30x1,5

Service 3 unit

Service 2 unit

Filter regulator

Filter

Pressure regulator

Lubricator

System extensions

Accessories

Special products

## Mounting bracket for panel mounting | BG1



Image shows:  
9.9911.00.047

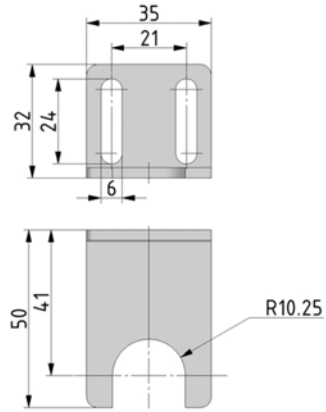


Image shows:  
9.9911.00.047

Service 3 unit

Service 2 unit

Filter regulator

Filter

Pressure regulator

Lubricator

System extensions

Accessories

Special products

### technical data

- **description:** Mounting bracket for panel mounting
- **material:** steel galvanized
- **fixing:** control panel nut and 2 screws for fixation to wall

### accessories

type	part-number	description
WH.M 20/DR.11-7	9.9911.00.047	Mounting bracket kit (1x washer DR.11-23; 1x nut DR.11-7; 1x bracked WH.M 20)

## Gauge | BGO



Image shows:  
9.3700.00.012

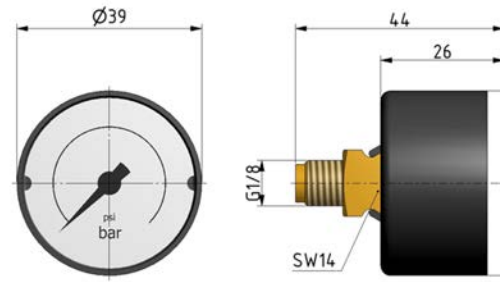


Image shows:  
9.3700.00.012

### technical data

- **description:** bourdon tube pressure gauge (EN 837-1), pressure connection on the back
- **temperature range:** 0 - 60°C
- **diameter:** Ø40
- **scale ranges (EN 837-1):** 0 - 16 bar
- **accuracy class:** 2,5 (EN 837-1 /6)
- **case:** black plastic
- **window:** snap fit window of clear plastic
- **working pressure, steady:** 0 - 12 bar
- **working pressure, fluctuating:** 0 - 10,5 bar
- **temperature effect:** when temperature of the pressure element deviates from reference temperature (+20°C): max. ±0,4%/10°C of the span

### accessories

type	part-number	description
G 40.16 R	9.3700.00.012	Gauge G1/8 Knocks instrument dial light grey
G 40.10 R	9.3700.00.013	Gauge G1/8 Knocks instrument dial light grey
G 40.6 R	9.3700.00.014	Gauge G1/8 Knocks instrument dial light grey
G 40.4 R	9.3700.00.015	Gauge G1/8 Knocks instrument dial light grey

Service 3 unit

Service 2 unit

Filter regulator

Filter

Pressure regulator

Lubricator

System extensions

Accessories

Special products

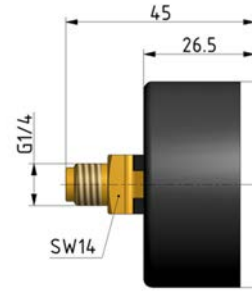
## Gauge | BG1, BG2, BG8



Image shows:  
9.3700.00.110



Image shows:  
9.3700.00.110



Service 3 unit

Service 2 unit

Filter regulator

Filter

Pressure regulator

Lubricator

System extensions

Accessories

Special products

### technical data

- **description:** bourdon tube pressure gauge (EN 837-1), pressure connection on the back
- **temperature range:** 0 - 50°C
- **diameter:** ø50
- **scale ranges (EN 837-1):** 0 - 16 bar
- **accuracy class:** 2,5 (EN 837-1 /6)
- **case:** black plastic
- **window:** snap fit window of clear plastic
- **working pressure, steady:** 0 - 12 bar
- **working pressure, fluctuating:** 0 - 10,5 bar
- **temperature effect:** when temperature of the pressure element deviates from reference temperature (+20°C): max. ±0,4%/10°C of the span

### accessories

type	part-number	description
G 50.16 R	9.3700.00.110	Gauge G1/4 Knocks instrument dial light grey
G 50.10 R	9.3700.00.111	Gauge G1/4 Knocks instrument dial light grey
G 50.6 R	9.3700.00.112	Gauge G1/4 Knocks instrument dial light grey
G 50.25 R	9.3700.00.113	Gauge G1/4 Knocks instrument dial light grey
G 50.2,5 R	9.3700.00.114	Gauge G1/4 Knocks instrument dial light grey
G 50.4 R	9.3700.00.116	Gauge G1/4 Knocks instrument dial light grey

## Gauge | BG3, BG5, BG7



Image shows:  
9.3700.00.243

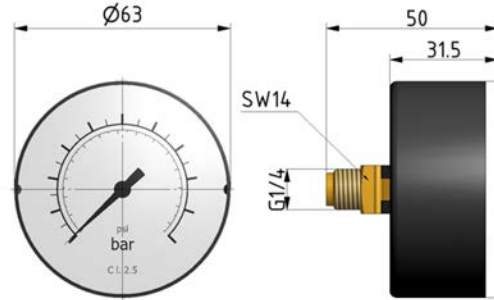


Image shows:  
9.3700.00.243

### technical data

- **description:** bourdon tube pressure gauge (EN 837-1), pressure connection on the back
- **temperature range:** 0 - 50°C
- **diameter:** Ø63
- **scale ranges (EN 837-1):** 0 - 16 bar
- **accuracy class:** 2,5 (EN 837-1 /6)
- **case:** black plastic
- **window:** snap fit window of clear plastic
- **working pressure, steady:** 0 - 12 bar
- **working pressure, fluctuating:** 0 - 10,5 bar
- **temperature effect:** when temperature of the pressure element deviates from reference temperature (+20°C): max. ±0,4%/10°C of the span

### accessories

type	part-number	description
G 63.16 R	9.3700.00.243	Gauge G1/4 Knocks instrument dial light grey
G 63.25 R	9.3700.00.244	Gauge G1/4 Knocks instrument dial light grey
G 63.6 R	9.3700.00.245	Gauge G1/4 Knocks instrument dial light grey
G 63.10 R	9.3700.00.246	Gauge G1/4 Knocks instrument dial light grey

Service 3 unit

Service 2 unit

Filter regulator

Filter

Pressure regulator

Lubricator

System extensions

Accessories

Special products

## Bowl | BGO



Image shows:  
9.9900.00.038

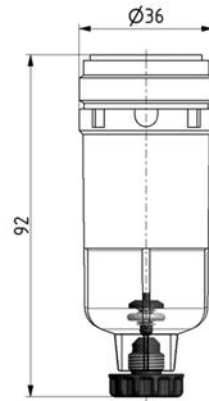


Image shows:  
9.9900.00.038

Service 3 unit

Service 2 unit

Filter regulator

Filter

Pressure regulator

Lubricator

System extensions

Accessories

Special products

### technical data

- supply pressure P1 min.: 1,5 bar
- supply pressure P1 max.: 12 bar
- temperature range: 0 - 50°C
- bowl: PC
- drain: HA
- fixing: screw thread

### accessories

type	part-number	description
C.00 HA4	9.9900.00.038	PC bowl with semi automatic drain and o-ring 30x2

## Bowl | BGO



Image shows:  
8.2100.96.001.2

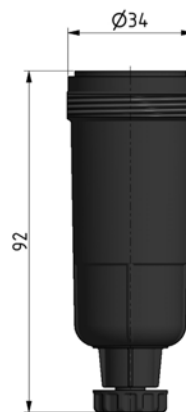


Image shows:  
8.2100.96.001.2

### technical data

- supply pressure P1 min.: 1,5 bar
- supply pressure P1 max.: 12 bar
- temperature range: 0 - 50°C
- bowl: metal bowl
- drain: HA
- fixing: screw thread

### accessories

type	part-number	description
C.00 M HA4	8.2100.96.001.2	Metal bowl with semi automatic drain and o-ring 30x2

Service 3 unit

Service 2 unit

Filter regulator

Filter

Pressure regulator

Lubricator

System extensions

Accessories

Special products

## Bowl | BGO



Image shows:  
9.9900.00.019



Image shows:  
9.9900.00.019

Service 3 unit

Service 2 unit

Filter regulator

Filter

Pressure regulator

Lubricator

System extensions

Accessories

Special products

### technical data

- supply pressure P1 min.: 1,5 bar
- supply pressure P1 max.: 12 bar
- temperature range: 0 - 50°C
- bowl: metal bowl
- drain: AM NO
- fixing: screw thread

### accessories

type	part-number	description
C.00 M AM10	9.9900.00.019	Metal bowl with automatic drain and o-ring 30x2
C.00 M AM10/NC	9.9900.00.052	Metal bowl with automatic drain (usually closed) and o-ring 30x2



## Bowl | BG0, BG1



Image shows:  
8.2111.84.002

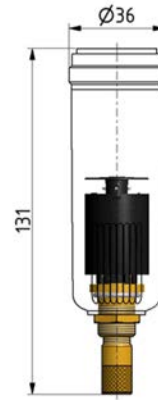


Image shows:  
8.2111.84.002

### technical data

- supply pressure P1 min.: 1,5 bar
- supply pressure P1 max.: 12 bar
- temperature range: 0 - 50°C
- bowl: PC
- drain: AM NO
- fixing: screw thread

### accessories

type	part-number	description
C.11 AM10	8.2111.84.002	PC bowl with automatic drain and o-ring 30x2
C.11 AM10/NC	9.9911.00.030	PC bowl with automatic drain (usually closed) and o-ring 30x2

Service 3 unit

Service 2 unit

Filter regulator

Filter

Pressure regulator

Lubricator

System extensions

Accessories

Special products

## Bowl | BG1



Image shows:  
8.1111.42.001



Image shows:  
8.1111.42.001

Service 3 unit

Service 2 unit

Filter regulator

Filter

Pressure regulator

Lubricator

System extensions

Accessories

Special products

### technical data

- supply pressure P1 min.: 1,5 bar
- supply pressure P1 max.: 16 bar
- temperature range: 0 - 60°C
- bowl: PC
- drain: HA3
- fixing: screw collar ring

### accessories

type	part-number	description
DF.11 HA3	8.1111.42.001	PC bowl with semi automatic drain and o-ring 37x2

## Bowl | BG1



Image shows:  
8.1111.42.002

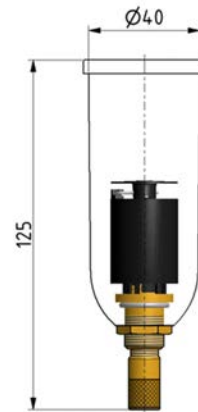


Image shows:  
8.1111.42.002

### technical data

- supply pressure P1 min.: 1,5 bar
- supply pressure P1 max.: 16 bar
- temperature range: 0 - 60°C
- bowl: PC
- drain: AM NO
- fixing: screw collar ring

### accessories

#### type

DF.11 AM10

#### part-number

8.1111.42.002

#### description

PC bowl with automatic drain and o-ring 37x2

Service 3 unit

Service 2 unit

Filter regulator

Filter

Pressure regulator

Lubricator

System extensions

Accessories

Special products

## Bowl | BG1



Image shows:  
8.1111.39.000.0



Image shows:  
8.1111.39.000.0

Service 3 unit

Service 2 unit

Filter regulator

Filter

Pressure regulator

Lubricator

System extensions

Accessories

Special products

### technical data

- supply pressure P1 min.: 0 bar
- supply pressure P1 max.: 25 bar
- temperature range: 0 - 60°C
- bowl: metal bowl
- drain: man
- fixing: screw collar ring

### accessories

type	part-number	description
DF.11 M man	8.1111.39.000.0	Metal bowl with manual drain and o-ring 37x2

## Bowl | BG1



Image shows:  
8.1111.39.001.0

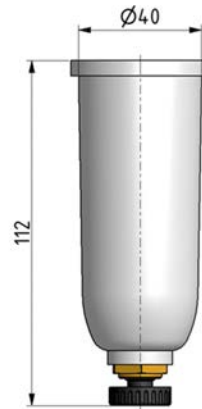


Image shows:  
8.1111.39.001.0

### technical data

- supply pressure P1 min.: 1,5 bar
- supply pressure P1 max.: 16 bar
- temperature range: 0 - 60°C
- bowl: metal bowl
- drain: HA3
- fixing: screw collar ring

### accessories

#### type

DF.11 M HA3

#### part-number

8.1111.39.001.0

#### description

Metal bowl with semi automatic drain and o-ring 37x2

Service 3 unit

Service 2 unit

Filter regulator

Filter

Pressure regulator

Lubricator

System extensions

Accessories

Special products

## Bowl | BG1



Image shows:  
8.1111.39.002.0

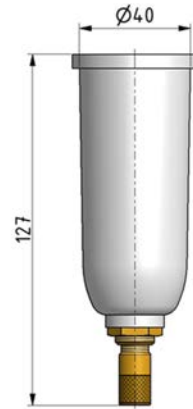


Image shows:  
8.1111.39.002.0

Service 3 unit

Service 2 unit

Filter regulator

Filter

Pressure regulator

Lubricator

System extensions

Accessories

Special products

### technical data

- supply pressure P1 min.: 1,5 bar
- supply pressure P1 max.: 16 bar
- temperature range: 0 - 60°C
- bowl: metal bowl
- drain: AM NO
- fixing: screw collar ring

### accessories

type	part-number	description
DF.11 M AM10	8.1111.39.002.0	Metal bowl with automatic drain and o-ring 37x2

## Bowl | BG2



Image shows:  
8.1122.36.001

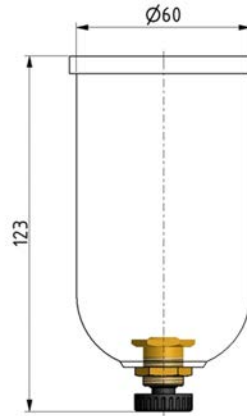


Image shows:  
8.1122.36.001

### technical data

- supply pressure P1 min.: 1,5 bar
- supply pressure P1 max.: 16 bar
- temperature range: 0 - 60°C
- bowl: PC
- drain: HA3
- fixing: screw collar ring

### accessories

#### type

DF.22 HA3

#### part-number

8.1122.36.001

#### description

PC bowl with semi automatic drain and o-ring 58x3

Service 3 unit

Service 2 unit

Filter regulator

Filter

Pressure regulator

Lubricator

System extensions

Accessories

Special products

## Bowl | BG2



Image shows:  
8.1122.36.002

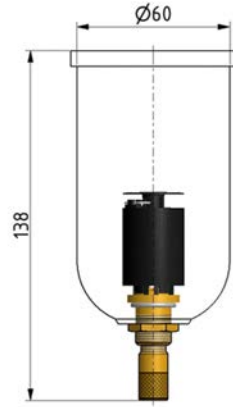


Image shows:  
8.1122.36.002

Service 3 unit

Service 2 unit

Filter regulator

Filter

Pressure regulator

Lubricator

System extensions

Accessories

Special products

### technical data

- supply pressure P1 min.: 1,5 bar
- supply pressure P1 max.: 16 bar
- temperature range: 0 - 60°C
- bowl: PC
- drain: AM NO
- fixing: screw collar ring

### accessories

type	part-number	description
DF.22 AM10	8.1122.36.002	PC bowl with automatic drain and o-ring 58x3



## Bowl | BG2



Image shows:  
8.1122.50.000.0

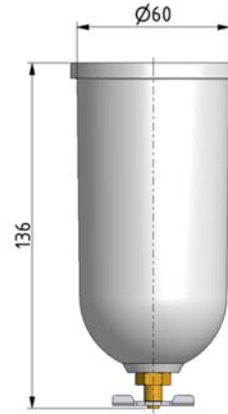


Image shows:  
8.1122.50.000.0

### technical data

- supply pressure P1 min.: 0 bar
- supply pressure P1 max.: 25 bar
- temperature range: 0 - 60°C
- bowl: metal bowl
- drain: man
- fixing: screw collar ring

### accessories

#### type

DF.22 M man

#### part-number

8.1122.50.000.0

#### description

Metal bowl with manual drain and o-ring 58x3

Service 3 unit

Service 2 unit

Filter regulator

Filter

Pressure regulator

Lubricator

System extensions

Accessories

Special products

## Bowl | BG2



Image shows:  
8.1122.10.000.0

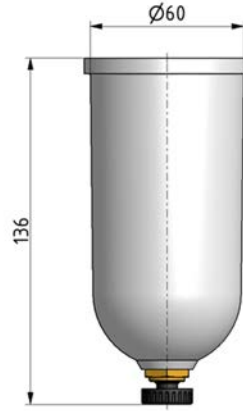


Image shows:  
8.1122.10.000.0

Service 3 unit

Service 2 unit

Filter regulator

Filter

Pressure regulator

Lubricator

System extensions

Accessories

Special products

### technical data

- supply pressure P1 min.: 1,5 bar
- supply pressure P1 max.: 16 bar
- temperature range: 0 - 60°C
- bowl: metal bowl
- drain: HA3
- fixing: screw collar ring

### accessories

type	part-number	description
DF.22 M HA3	8.1122.10.000.0	Metal bowl with semi automatic drain and o-ring 58x3

## Bowl | BG2



Image shows:  
8.1122.10.001.0

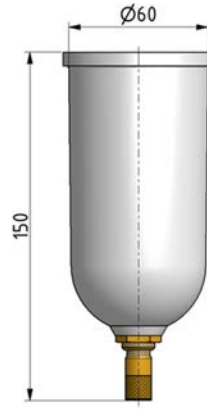


Image shows:  
8.1122.10.001.0

### technical data

- supply pressure P1 min.: 1,5 bar
- supply pressure P1 max.: 16 bar
- temperature range: 0 - 60°C
- bowl: metal bowl
- drain: AM NO
- fixing: screw collar ring

### accessories

#### type

DF.22 M AM10

#### part-number

8.1122.10.001.0

#### description

Metal bowl with automatic drain and o-ring 58x3

Service 3 unit

Service 2 unit

Filter regulator

Filter

Pressure regulator

Lubricator

System extensions

Accessories

Special products

## Bowl | BG3



Image shows:  
8.1133.48.001

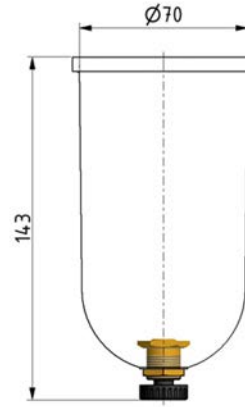


Image shows:  
8.1133.48.001

Service 3 unit

Service 2 unit

Filter regulator

Filter

Pressure regulator

Lubricator

System extensions

Accessories

Special products

### technical data

- supply pressure P1 min.: 1,5 bar
- supply pressure P1 max.: 16 bar
- temperature range: 0 - 60°C
- bowl: PC
- drain: HA3
- fixing: screw collar ring

### accessories

type	part-number	description
DF.33 HA3	8.1133.48.001	PC bowl with semi automatic drain and o-ring 67,95x2,62

## Bowl | BG3



Image shows:  
8.1133.48.002

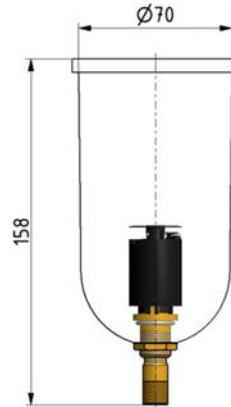


Image shows:  
8.1133.48.002

### technical data

- supply pressure P1 min.: 1,5 bar
- supply pressure P1 max.: 16 bar
- temperature range: 0 - 60°C
- bowl: PC
- drain: AM NO
- fixing: screw collar ring

### accessories

type	part-number	description
DF.33 AM10	8.1133.48.002	PC bowl with automatic drain and o-ring 67,95x2,62

Service 3 unit

Service 2 unit

Filter regulator

Filter

Pressure regulator

Lubricator

System extensions

Accessories

Special products

## Bowl | BG3



Image shows:  
8.1133.25.000.0

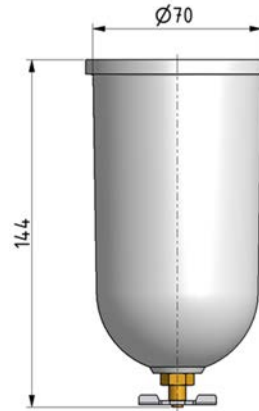


Image shows:  
8.1133.25.000.0

Service 3 unit

Service 2 unit

Filter regulator

Filter

Pressure regulator

Lubricator

System extensions

Accessories

Special products

### technical data

- supply pressure P1 min.: 0 bar
- supply pressure P1 max.: 25 bar
- temperature range: 0 - 60°C
- bowl: metal bowl
- drain: man
- fixing: screw collar ring

### accessories

type	part-number	description
DF.33 M man	8.1133.25.000.0	Metal bowl with manual drain and o-ring 67,95x2,62

## Bowl | BG3



Image shows:  
8.1133.49.000.0

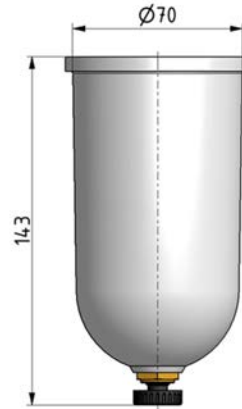


Image shows:  
8.1133.49.000.0

### technical data

- supply pressure P1 min.: 1,5 bar
- supply pressure P1 max.: 16 bar
- temperature range: 0 - 60°C
- bowl: metal bowl
- drain: HA3
- fixing: screw collar ring

### accessories

#### type

DF.33 M HA3

#### part-number

8.1133.49.000.0

#### description

Metal bowl with semi automatic drain and o-ring 67,95x2,62

Service 3 unit

Service 2 unit

Filter regulator

Filter

Pressure regulator

Lubricator

System extensions

Accessories

Special products

## Bowl | BG3



Image shows:  
8.1133.49.001.0

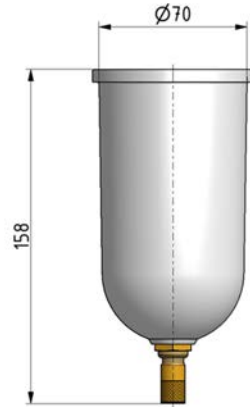


Image shows:  
8.1133.49.001.0

Service 3 unit

Service 2 unit

Filter regulator

Filter

Pressure regulator

Lubricator

System extensions

Accessories

Special products

### technical data

- supply pressure P1 min.: 1,5 bar
- supply pressure P1 max.: 16 bar
- temperature range: 0 - 60°C
- bowl: metal bowl
- drain: AM NO
- fixing: screw collar ring

### accessories

type	part-number	description
DF.33 M AM10	8.1133.49.001.0	Metal bowl with automatic drain and o-ring 67,95x2,62



## Oil bowl | BGO



Image shows:  
9.9900.00.040



Image shows:  
9.9900.00.040

### technical data

- supply pressure P1 max.: 12 bar
- temperature range: 0 - 50°C
- bowl: PC
- fixing: screw thread

### accessories

type	part-number	description
L.00	9.9900.00.040	PC oil bowl with o-ring 30x2

Service 3 unit

Service 2 unit

Filter regulator

Filter

Pressure regulator

Lubricator

System extensions

Accessories

Special products

## Oil bowl | BGO



Image shows:  
9.9900.00.041



Image shows:  
9.9900.00.041

Service 3 unit

Service 2 unit

Filter regulator

Filter

Pressure regulator

Lubricator

System extensions

Accessories

Special products

### technical data

- supply pressure P1 max.: 12 bar
- temperature range: 0 - 50°C
- bowl: metal bowl
- fixing: screw thread

### accessories

type	part-number	description
L.00 M	9.9900.00.041	Metal oil bowl black with o-ring 30x2

## Oil bowl | BG1



Image shows:  
8.2311.24.000



Image shows:  
8.2311.24.000

### technical data

- supply pressure P1 max.: 16 bar
- temperature range: 0 - 60°C
- bowl: PC
- fixing: screw collar ring

### accessories

#### type

DO.11

#### part-number

8.2311.24.000

#### description

PC oil bowl with o-ring 37x2

Service 3 unit

Service 2 unit

Filter regulator

Filter

Pressure regulator

Lubricator

System extensions

Accessories

Special products

## Oil bowl | BG1



Image shows:  
8.2311.33.000.0

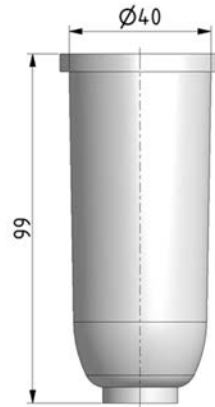


Image shows:  
8.2311.33.000.0

Service 3 unit

Service 2 unit

Filter regulator

Filter

Pressure regulator

Lubricator

System extensions

Accessories

Special products

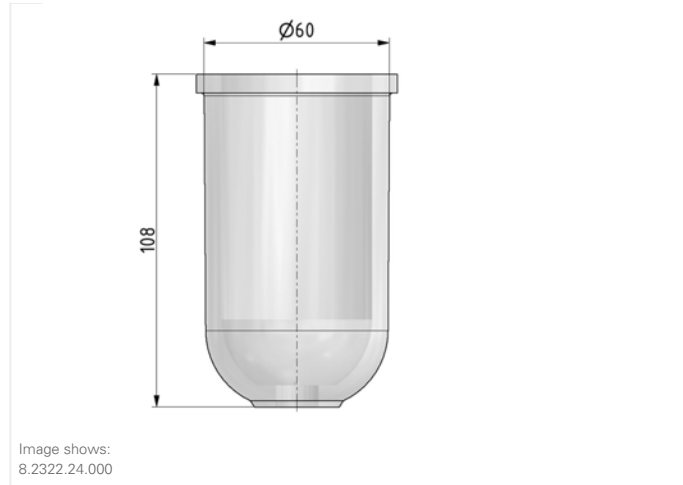
### technical data

- supply pressure P1 max.: 25 bar
- temperature range: 0 - 60°C
- bowl: metal bowl
- fixing: screw collar ring

### accessories

type	part-number	description
DO.11 M	8.2311.33.000.0	Metal oil bowl (silver) with o-ring 37x2

## Oil bowl | BG2



### technical data

- supply pressure P1 max.: 16 bar
- temperature range: 0 - 60°C
- bowl: PC
- fixing: screw collar ring

### accessories

type	part-number	description
DO.22	8.2322.24.000	PC oil bowl with o-ring 58x3

Service 3 unit

Service 2 unit

Filter regulator

Filter

Pressure regulator

Lubricator

System extensions

Accessories

Special products

## Oil bowl | BG2



Image shows:  
8.2322.25.000.0



Image shows:  
8.2322.25.000.0

Service 3 unit

Service 2 unit

Filter regulator

Filter

Pressure regulator

Lubricator

System extensions

Accessories

Special products

### technical data

- supply pressure P1 max.: 25 bar
- temperature range: 0 - 60°C
- bowl: metal bowl
- fixing: screw collar ring

### accessories

type	part-number	description
DO.22 M	8.2322.25.000.0	Metal oil bowl (silver) with o-ring 58x3

## Oil bowl | BG3



Image shows:  
8.2333.24.000

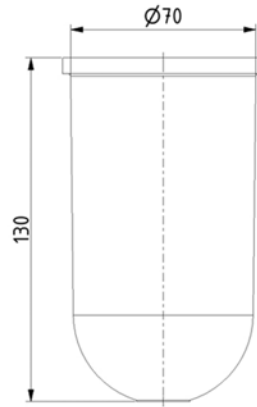


Image shows:  
8.2333.24.000

### technical data

- supply pressure P1 max.: 16 bar
- temperature range: 0 - 60°C
- bowl: PC
- fixing: screw collar ring

### accessories

#### type

DO.33

#### part-number

8.2333.24.000

#### description

PC oil bowl with o-ring 67,95x2,62

Service 3 unit

Service 2 unit

Filter regulator

Filter

Pressure regulator

Lubricator

System extensions

Accessories

Special products

## Oil bowl | BG3



Image shows:  
8.2333.25.000.0

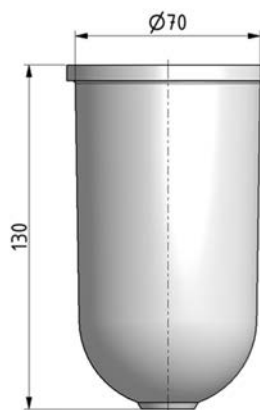


Image shows:  
8.2333.25.000.0

Service 3 unit

Service 2 unit

Filter regulator

Filter

Pressure regulator

Lubricator

System extensions

Accessories

Special products

### technical data

- supply pressure P1 max.: 25 bar
- temperature range: 0 - 60°C
- bowl: metal bowl
- fixing: screw collar ring

### accessories

type	part-number	description
DO.33 M	8.2333.25.000.0	Metal oil bowl (silver) with o-ring 67,95x2,62



## Bowl guard | BG1



Image shows:  
8.1111.35.000.0

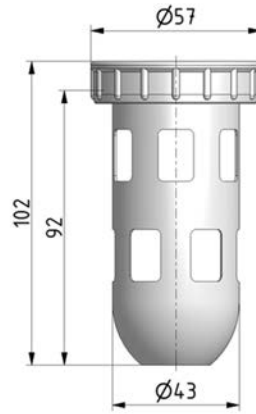


Image shows:  
8.1111.35.000.0

### technical data

- **material:** steel galvanized
- **fixing:** screw collar ring

### accessories

#### type

DF.11-35

#### part-number

8.1111.35.000.0

#### description

Bowl guard with screw cap

Service 3 unit

Service 2 unit

Filter regulator

Filter

Pressure regulator

Lubricator

System extensions

Accessories

Special products

## Bowl guard | BG2



Image shows:  
8.1122.11.000.0

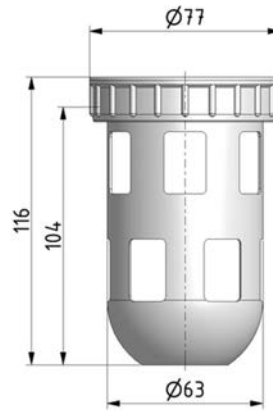


Image shows:  
8.1122.11.000.0

Service 3 unit

Service 2 unit

Filter regulator

Filter

Pressure regulator

Lubricator

System extensions

Accessories

Special products

### technical data

- **material:** steel galvanized
- **fixing:** screw collar ring

### accessories

type	part-number	description
DF.22-11	8.1122.11.000.0	Bowl guard with screw cap

## Bowl guard | BG3



Image shows:  
8.1133.11.000.0

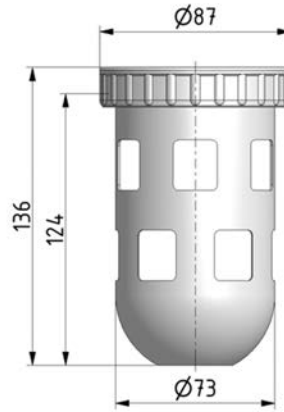


Image shows:  
8.1133.11.000.0

### technical data

- **material:** steel galvanized
- **fixing:** screw collar ring

### accessories

#### type

DF.33-11

#### part-number

8.1133.11.000.0

#### description

Bowl guard with screw cap

Service 3 unit

Service 2 unit

Filter regulator

Filter

Pressure regulator

Lubricator

System extensions

Accessories

Special products

## Differential pressure gauge | BG5, BG8



Image shows:  
9.3700.00.850

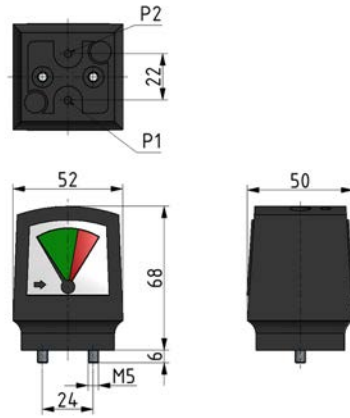


Image shows:  
9.3700.00.850

Service 3 unit

Service 2 unit

Filter regulator

Filter

Pressure regulator

Lubricator

System extensions

Accessories

Special products

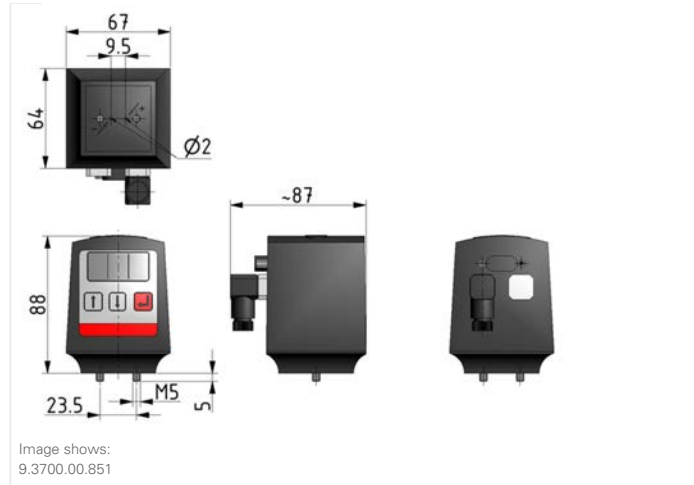
### technical data

- **description:** magnetic piston meter
- **temperature range:** 0 - 60°C
- **mounting:** vertical
- **case:** ULTRAMID plastic, black
- **scales:** white plastic, pressure = black, colour fields = green/red
- **scale range:** 0 - 0,5 bar
- **max. working pressure:** 16 bar

### accessories

type	part-number	description
DM 2	9.3700.00.850	Differential pressure gauge scale ranges: 0-0,5bar

## Differential pressure gauge DM 2 D | BG5, BG8



### technical data

- **temperature range:** 0 - 60°C
- **mounting:** vertical
- **max. working pressure:** 16 bar
- **supply voltage:** 8 ... 15 V DC, 12 ... 24 V DC
- **average current drain:** circa 300 mA
- **connecting plug:** Hirschmann G30 W 3 F or rather 3,2 mm blade terminal
- **measuring zone:** 0,1 ... 1,0 bar, <0,1 bar display "Lo", >1 bar display "Hi"
- **calibration:** 0,35 bar
- **data logging:** all 0,1 second
- **update display:** all 5 second (averaging)
- **working range of pressure:** 2 - 16 bar
- **durability:** 1 .. 24 month - factory settings: 12 month
- **critical differential pressure:** 0,10 ... 1,00 bar - factory settings: 0,35 bar
- **pressure blow control:** on / off - factory settings: on
- **semantics:** bar / PSI - factory settings: bar
- **1. dry contact:** changeover contact (normally opened / closed), max. voltage: 220V DC / 250V AC, max. switching circuit: 1A, max. breaking capacity: 30W DC / 60VA AC, connecting plug: Hirschmann G 30W 3 F or rather 3,2 mm blade terminal
- **2. serial interface:** RS485 ASCII standard, connecting plug: 9- pin sub- D connector

### accessories

type	part-number	description
DM 2 D	9.3700.00.851	Differential pressure gauge with two colour LED display, freely adjustable switch contact and serial interface, supply unit voltage 24 V

Service 3 unit

Service 2 unit

Filter regulator

Filter

Pressure regulator

Lubricator

System extensions

Accessories

Special products

## Filter silencer | --



Image shows:  
9.4033.00.700

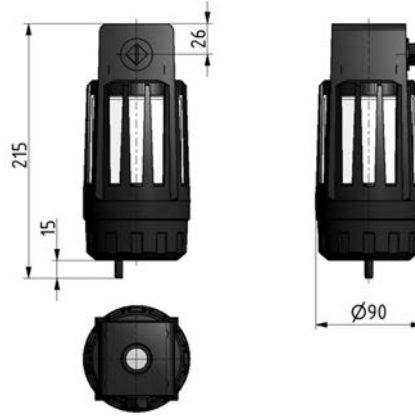
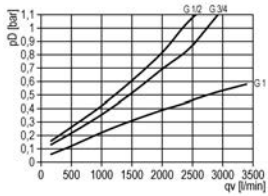
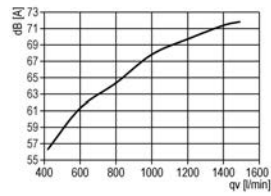


Image shows:  
9.4033.00.700

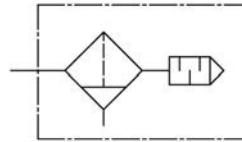
### flow characteristic



### noise expansion



### symbol



### technical data

- **description:** 3 graduated coalescence filter
- **supply pressure P1 max.:** 10 bar
- **temperature range:** 0 - 60°C
- **drain:** overflow for tube diameter inside ø6
- **mounting:** vertically, connection thread on the top and on the side
- **residual oil concent:** 0,01 mg/m<sup>3</sup>
- **filter efficiency:** 99,99%
- **reduction of noise:** circa 40 dB (A) (at P1 = 5 bar; Q = 2000 l/min and 1 m distance)
- **filter change:** min. once in a year

### accessories

- Befestigungswinkel  
BFSD.55-3

type	part-number	description
FSD.33	9.4033.00.700	Filter silencer G1/2
FSD.34	9.4034.00.700	Filter silencer G3/4

## Filter silencer | --



Image shows:  
9.4055.00.700

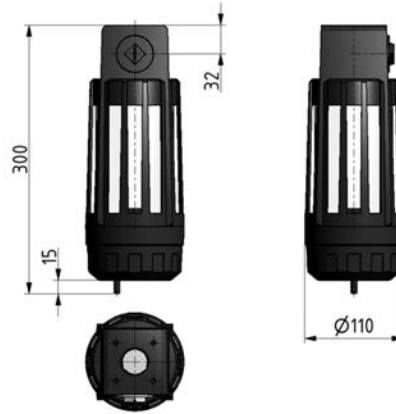
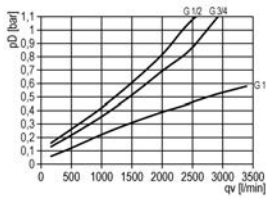
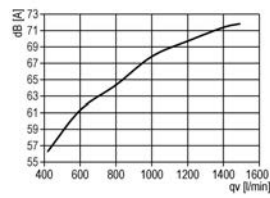


Image shows:  
9.4055.00.700

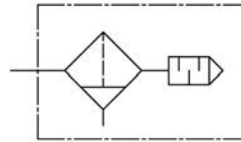
### flow characteristic



### noise expansion



### symbol



### technical data

- **description:** 3 graduated coalescence filter
- **supply pressure P1 max.:** 10 bar
- **temperature range:** 0 - 60°C
- **drain:** overflow for tube diameter inside ø6
- **mounting:** vertically, connection thread on the top and on the side
- **residual oil concent:** 0,01 mg/m<sup>3</sup>
- **filter efficiency:** 99,99%
- **reduction of noise:** circa 40 dB (A) (at P1 = 5 bar; Q = 2000 l/min and 1 m distance)
- **filter change:** min. once in a year

### accessories

- Befestigungswinkel  
BFSD.55-3

### type

FSD.55

### part-number

9.4055.00.700

### description

Filter silencer G1

Service 3 unit

Service 2 unit

Filter regulator

Filter

Pressure regulator

Lubricator

System extensions

Accessories

Special products

## Automatic drain | --

Service 3 unit

Service 2 unit



Image shows:  
9.3600.00.410/NC

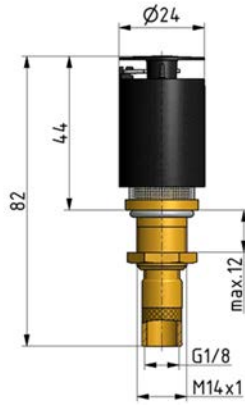


Image shows:  
9.3600.00.410/NC

Filter regulator

Filter

### symbol



Pressure regulator

Lubricator

System extensions

### technical data

- **description:** float handled condensate drain (no bleed pressureless)
- **supply pressure P1 min.:** 1,5 bar
- **supply pressure P1 max.:** 16 bar
- **temperature range:** 0 - 50°C
- **fixing:** located within condensate bowl
- **mounting shaft:** ø14 mm
- **discharge connection:** G 1/8
- **function without pressure:** (P1 0 bar) valve closed

### accessories

Accessories

type	part-number	description
AM 10 NC	9.3600.00.410/NC	Automatic drain, p1= 1,5-16bar, usually closed
AM 10	9.3600.00.410/V	Automatic drain, p1= 1,5-16bar

Special products



## Relief valve | BGO



Image shows:  
9.6101.00.500.0V

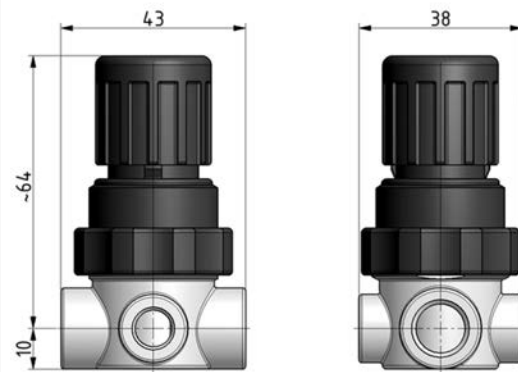
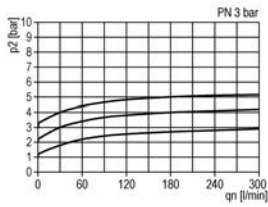
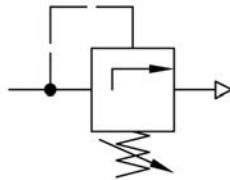


Image shows:  
9.6101.00.500.0V

### pressure characteristics



### symbol



### technical data

- **adjustment range P2 max.:** 3 bar
- **description:** spring loaded diaphragm-relief-valve opening pressure adjustable
- **medium:** compressed air, non corrosive gases (other media available upon request)
- **temperature range:** 0 - 60°C
- **fixing:** panel mounting, ø30,5

### accessories



- **control panel mounting:**  
[WH.M.30/DR.00-34](#)

type	part-number	description
DVU.01	9.6101.00.500.0V	Relief valve G1/4 0,1-3
DVU.01	9.6101.00.501.0V	Relief valve G1/4 0,1-2
DVU.01	9.6101.00.503.0V	Relief valve G1/4 0,5-10
DVU.01 S/KS	9.6101.00.50301V	Relief valve G1/4 0,5-10 with plastic control panel nut
DVU.01	9.6101.00.504.0V	Relief valve G1/4 0,2-7
DVU.01 S/KS	9.6101.00.50401V	Relief valve G1/4 0,2-7 with plastic control panel nut

Service 3 unit

Service 2 unit

Filter regulator

Filter

Pressure regulator

Lubricator

System extensions

Accessories

Special products

## Relief valve | BG3



Image shows:  
9.6133.00.500.0V

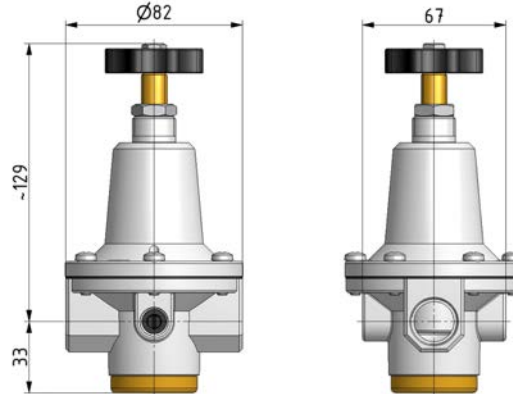
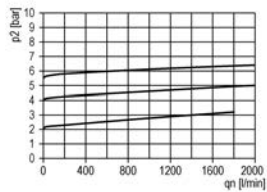
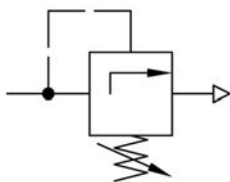


Image shows:  
9.6133.00.500.0V

### pressure characteristics



### symbol



### technical data

- **adjustment range P2 max.:** 3 bar
- **description:** spring loaded diaphragm-relief-valve opening pressure adjustable
- **medium:** compressed air, non corrosive gases (other media available upon request)
- **temperature range:** 0 - 60°C
- **fixing:** panel mounting, ø30,5

### accessories



- mounting bracket: [BW.30](#)

- control panel mounting: nut DR.11-7

type	part-number	description
DVU.33	9.6133.00.500.0V	Relief valve G1/2 0,1-3
DVU.33	9.6133.00.517.0V	Relief valve G1/2 0,5-10
DVU.33	9.6133.00.520.0V	Relief valve G1/2 0,1-1
DVU.33	9.6133.00.550.0V	Relief valve G1/2 0,2-5,5

# Central filter lubricator unit | --

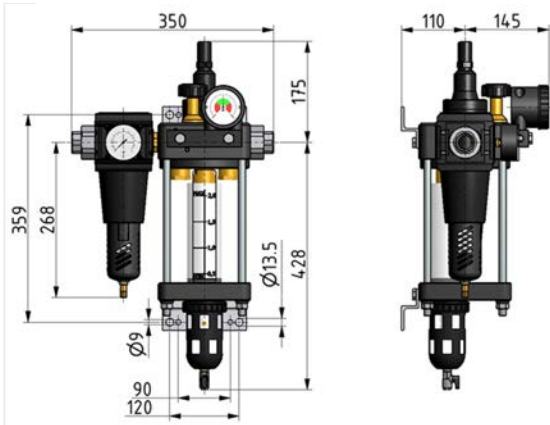
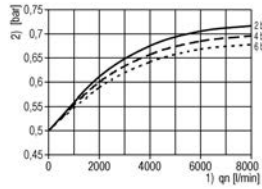


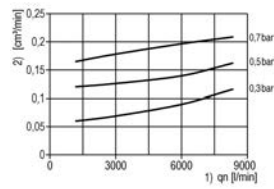
Image shows:  
9.2455.00.000

Image shows:  
9.2455.00.000

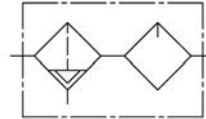
### flow characteristic



### oil mist activation



### symbol



### technical data

- **description:** differential pressure regulated central-lubricator
- **supply pressure P1 max.:** 10 bar
- **temperature range:** 0 - 60°C
- **mounting:** vertical, drain down
- **fixing:** install in pipe line, mounting bracket
- **operating differential pressure area:** 0,3 - 1 bar
- **recommended operating differential pressure area:** 0,5 bar
- **bowl volume:** 2 l
- **flow range:** 80 - 7000 l/min
- **recommended oil viscosity:** 32 c St / 40°C
- **kind of oil:** CL 32 DIN 51517 - ISO VG 32
- **grade of filtration of prefilter:** 40 µm (absolutely)
- **oil most particle size:** 0,3 - 2 µm

### accessories

- **mounting bracket:** [ZFL.55-22](#)
- **condensation drain:** [KA-212](#) [AM10](#)
- **fine filter silencer:** [FSD.33](#) + [FSD.34](#) + [FSD.55](#)

type	part-number	description
ZFL.55	9.2455.00.000	Central filter lubricator unit G1

Service 3 unit

Service 2 unit

Filter regulator

Filter

Pressure regulator

Lubricator

System extensions

Accessories

Special products

## Central filter lubricator unit | --



Image shows:  
9.2488.00.000

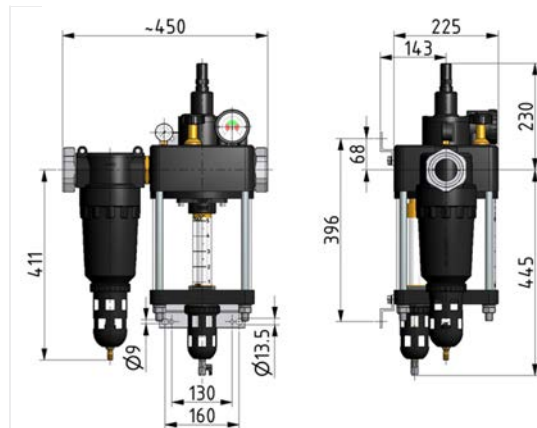
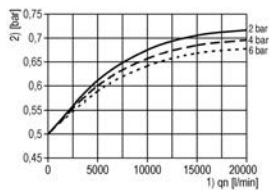
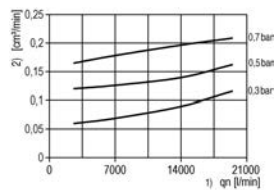


Image shows:  
9.2488.00.000

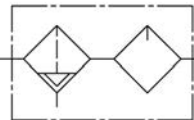
### flow characteristic



### oil mist activation



### symbol



### technical data

- **description:** differential pressure regulated central-lubricator
- **supply pressure P1 max.:** 10 bar
- **temperature range:** 0 - 60°C
- **mounting:** vertical, drain down
- **fixing:** install in pipe line, mounting bracket
- **operating differential pressure area:** 0,3 - 1 bar
- **recommended operating differential pressure area:** 0,5 bar
- **bowl volume:** 5 l
- **flow range:** 250 - 20000 l/min
- **recommended oil viscosity:** 32 c St / 40°C
- **kind of oil:** CL 32 DIN 51517 - ISO VG 32
- **grade of filtration of prefilter:** 60  $\mu$ m (absolutely)
- **oil most particle size:** 0,3 - 2  $\mu$ m

### accessories

- mounting bracket: ZFL.88-34



- condensation drain: [KA-212](#) + [AM10](#)



- fine filter silencer: [FSD.33](#) + [FSD.34](#) + [FSD.55](#)

type	part-number	description
ZFL.88	9.2488.00.000	Central filter lubricator unit G2
ZFL.88 N	9.2488.00.002	Central filter lubricator unit G2 with electrical level control, without switching electronics

## Regulator plate ISO | ISO 1

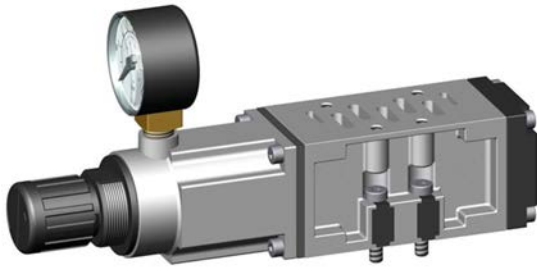


Image shows:  
9.1811.00.400

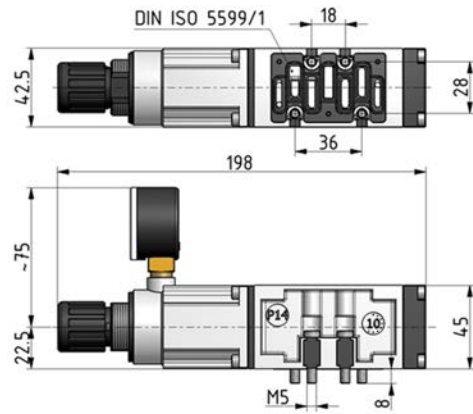
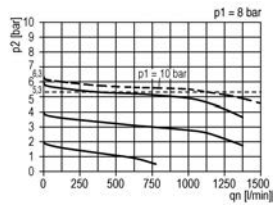
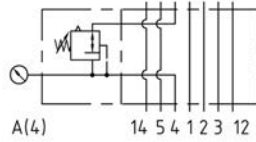


Image shows:  
9.1811.00.400

### flow characteristic



### symbol



### technical data

- **description:** air line regulator with diaphragm and relieving feature
- **supply pressure P1 max.:** 16 bar
- **temperature range:** 0 - 50°C
- **fixing:** about connection plate
- **series:** ISO 1
- **regulation:** A
- **port size:** regulation on 4 according to VDMA 24563

### accessories

- gauge on the back



- gauge vertical: [G 40.10/16 S](#)

- adapter for gauge with rear connection: ISO.1-12

type	part-number	description
ISO.1 A	9.1811.00.400	Regulator plate ISO.1 (regulating at 4) 0,5-12
ISO.1 A GS	9.1811.00.401	Regulator plate ISO.1 (regulating at 4) 0,5-12 with gauge G 40.10/16 S
ISO.1 B	9.1811.00.600	Regulator plate ISO.1 (regulating at 2) 0,5-12
ISO.1 AB	9.1811.00.800	Regulator plate ISO.1 (regulating at 4/2) 0,5-12

## Regulator plate ISO | ISO 1

Service 3 unit

Service 2 unit

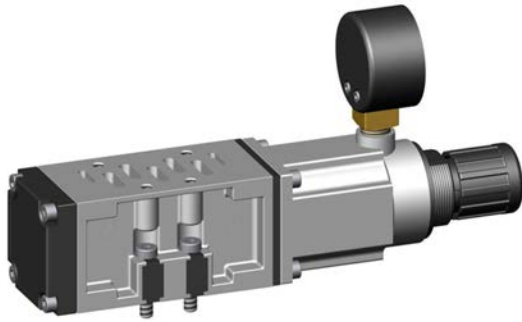


Image shows:  
9.1811.00.000

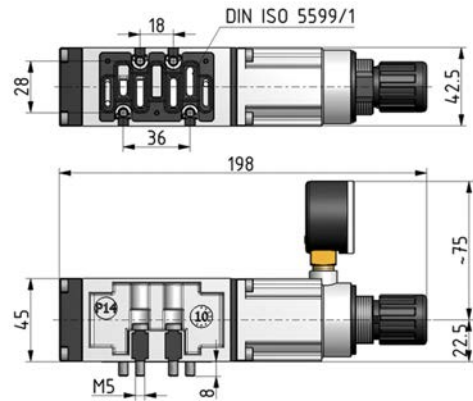
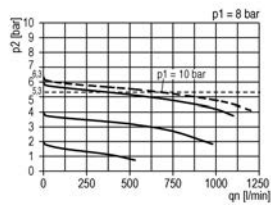


Image shows:  
9.1811.00.000

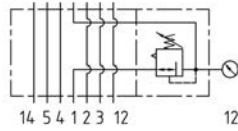
Filter regulator

Filter

### flow characteristic



### symbol



Pressure regulator

Lubricator

System extensions

### technical data

- **description:** air line regulator with diaphragm and relieving feature
- **supply pressure P1 max.:** 16 bar
- **temperature range:** 0 - 50°C
- **fixing:** about connection plate
- **series:** ISO 1
- **regulation:** P 12
- **port size:** regulation on 12 according to VDMA 24563

### accessories

- gauge on the back



- gauge vertical: [G 40.10/16 S](#)

- adapter for gauge with rear connection: ISO.1-12

Accessories

Special products

type	part-number	description
ISO.1 P12	9.1811.00.000	Regulator plate ISO.1 (regulating at 1) 0,5-12
ISO.1 P12 G	9.1811.00.001	Regulator plate ISO.1 (regulating at 1) 0,5-12 with gauge G 40.10/16 S
ISO.1 P14	9.1811.00.200	Regulator plate ISO.1 (regulating at 1) 0,5-12

# KNOCKS

Manufacturer competence  
for filter, lubricator and  
regulator technology in  
compressed-air conditioning.

[www.knocks.de](http://www.knocks.de)

# Our two further product series for even more solutions to problems.

## FUTURA

### FUTURE BUILT IN

Innovative, compact, modular and highly efficient, the Futura series is the highlight of KNOCKS research.

- Innovative material concept: Grivory GV-6H (60% glass fibre content) – lighter, more rigid and more economic than metal
- Low maintenance

#### Futura series

<b>Weight</b> = low
<b>Modularity</b> = high
<b>Temperature stability</b> = -25 °C to +50 °C
<b>Pressure monitoring</b> = possible
<b>Micro-filter monitoring</b> = possible



More in the Internet at: [www.knocks.de](http://www.knocks.de)

## MULTI-FIX

### FIT FOR MAXIMUM PERFORMANCE

Peak performance and up-to-date handling advantages are incisive characteristics of the Multi-Fix series.

- High temperature stability
- Patented modular system
- Material: die-cast zinc

#### Multi-Fix series

<b>Weight</b> = medium
<b>Modularity</b> = high
<b>Temperature stability</b> = -25 °C (optionally possible: -40 °C) to +60 °C
<b>Pressure monitoring</b> = possible
<b>Micro-filter monitoring</b> = partially possible



More in the Internet at: [www.knocks.de](http://www.knocks.de)



# Meets the highest requirements. Guaranteed.

## QUALITY THAT LIVES UP TO WHAT WE PROMISE.

In the face of increasing globalisation, quality and quality assurance have taken on a new significance. And at KNOCKS, you can count on the following:

- Receiving inspections with computer-assisted optical measurement and error analysis
- Fully automatic functional and leakage testing with statistic evaluation of the test data
- The company is certified according to DIN ISO 9001:2000

We test the quality of our products using a stringent system which allows us to guarantee the continuous quality of our products to our customers. Always proper, always honest – and always official.

**And everything is made in Germany! This allows us to maintain full control over all development and manufacturing steps in accordance with German and European standards. This has been our quality promise for 40 years!**

In the modern high-rack warehouse system, everything is oriented on the reliable processing of your orders. Some 3,100 pallet spaces and 7,000 storage spaces for smaller parts ensure fast and continual availability. Whatever you need – we always have it ready for delivery!



Reg.-Nr.:  
062319 QM



Quality management: with fingertip instincts.



Our warehouse: designed for the quickest delivery.

# Special developments, custom-made in Germany.

## **YOUR REQUIREMENTS ARE OUR STANDARD.**

Do you have a problem that requires a special solution? Simply delegate this task to our developers! Our high-performance engineering team can design innovative technologies for you which are guaranteed to be 100% compatible with your requirements.

We build on comprehensive expertise in developing forward-looking series and patented technologies.

- Well-founded expertise in the 3-D area
- State-of-the-art CAD systems

This allows your requirements to quickly take shape.



Our engineering department: always state-of-the-art.



# Your desired KNOCKS product? The Finder in the Internet knows all of them.

## **BETTER A QUICK FIND THAN A LENGTHY SEARCH.**

In just a few clicks you, you can find the devices you need for compressed-air conditioning in the Internet. At our address [www.knocks.de](http://www.knocks.de) you can activate our new selection tool in the main navigation bar under the point "Productfinder".

By answering the list of questions in a targeted manner, the hit list can be refined. The corresponding data sheet can be generated from this hit list (taking the gross price into account). A contact form for special solutions rounds off our complete solution for all possible customer requests.



Naturally, you can also find all Futura products online.

**DIPRAX**  
PROYECTOS Y  
AUTOMATISMOS  
GENERALES



+34 943 377 740



info@diprax.es



www.diprax.es

Polígono Industrial Belartza, Gurutzegi Kalea, 17 Pab. D4 y D5, 20018 San Sebastián-Donostia