

Futura series

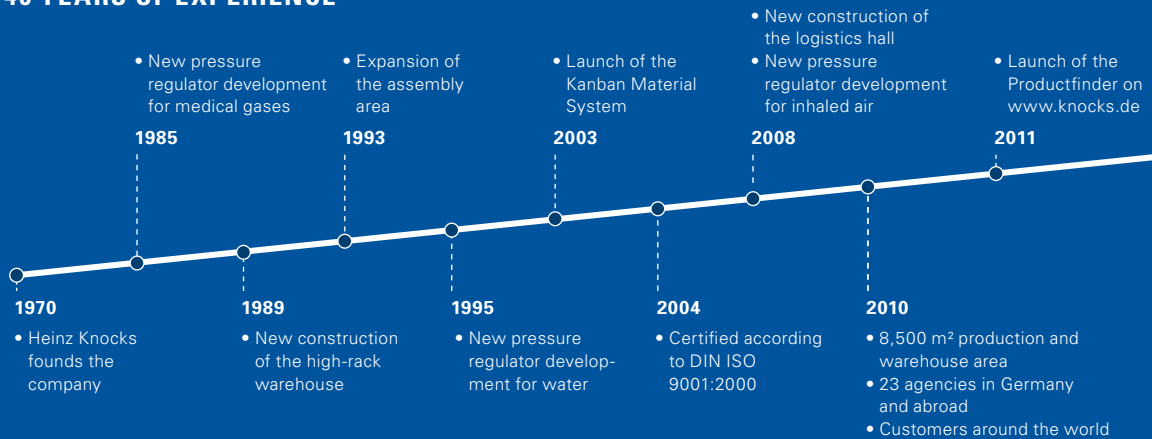
General catalogue

Innovative, compact and powerful.
The KNOCKS Futura series.

KNOCKS

Regulation inspiration for you.

40 YEARS OF EXPERIENCE



The Futura series: Future built in!

ONLY THE BEST IS GOOD ENOUGH FOR YOU?

Do you require intelligent problem solving? We will regulate it! As one of the leading manufacturers of compressed-air regulator systems and filter technology, we have been driving momentum in the industry for over 40 years. We deliver competent answers to your questions in all areas of compressed-air conditioning – providing not only expertise for a competitive edge, but also fair conditions.

OUR FUTURA SERIES

The Futura series is an absolute technical highlight. The modular structure of the patented system and the innovative material concept (Grivory GV-6H with 60% glass fibre content; lighter and more economical than metal) offer absolute flexibility with guaranteed functional reliability.



Technology and expertise: the Futura production.



Innovative, compact, modular: the Futura series.

Quality, purity, quantity and composition all play a decisive role in compressed-air conditioning. Each production process has very specific requirements, which the various KNOCKS products of the Futura series fulfil in an individual and highly secure manner.

KNOCKS
MADE IN
GERMANY
www.knocks.de

Service 3 unit

BG0 | BG1 | BG2 | BG4

Service 3 unit

Service 2 unit

BG0 | BG1 | BG2 | BG4

Service 2 unit

Filter regulator

BG0 | BG1 | BG2 | BG4

Filter regulator

Filter

BG0 | BG1 | BG2 | BG4

Filter

Pressure regulator

BG0 | BG1 | BG2 | BG4

Pressure regulator

Lubricator

BG0 | BG1 | BG2 | BG4

Lubricator

System extensions

BG0 | BG1 | BG2 | BG4

System extensions

Accessories

BG0 | BG1 | BG2 | BG4

Accessories

Special products

BG0 | BG1 | BG2 | BG4

Special products

Service 3 unit | BGO



Image shows:
92700.CC00

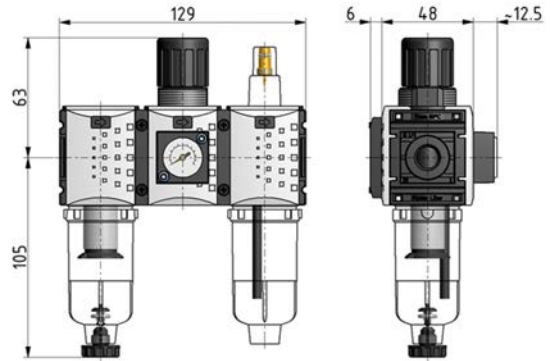
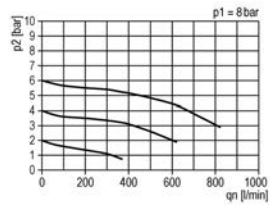
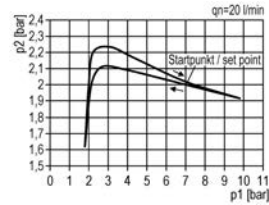


Image shows:
92700.CC00

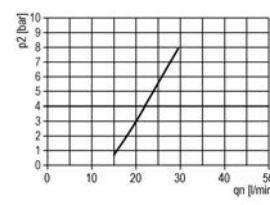
flow characteristic



pressure characteristic



lubricator operating limit



symbol



technical data

- **description:** sinter filter centrifugal principle, diaphragm-type pressure with secondary air exhaust, micro mist lubricator
- **medium:** compressed air, neutral gases
- **supply pressure P1 min.:** 1,5 bar
- **supply pressure P1 max.:** 12 bar
- **temperature range:** 0 - 50°C
- **bowl:** PC
- **drain:** HA
- **mounting:** vertical
- **filter element:** 5 µm
- **bowl volume lubricator:** 35 cm³
- **oil metering qv=1.000l/min:** 10 - 20 drops/min
- **oil type:** CL 32 DIN 51517 - ISO VG 32

accessories



- **mounting bracket:**
[KBW.0-1225](#)



- **coupling kit wall mounting:**
[KKOP.0W](#)



- **control panel mounting:**
[KBW.0-1227](#) + C.00-34

- **adapter for pressure gauge:**
KKPS.0-54

type	part-number	description
KS3U-014/8 G	92700.CC00	Service 3 unit G1/4 0,5-8 5µm with PC bowl, semi automatic drain and integrated gauge
KS3U-014/8 AM G	92700.CC01	Service 3 unit G1/4 0,5-8 5µm with PC bowl, automatic drain and integrated gauge
KS3U-014/8 M G	92700.CC50	Service 3 unit G1/4 0,5-8 5µm with metal bowl, semi automatic drain and integrated gauge
KS3U-014/8 M AMG	92700.CC51	Service 3 unit G1/4 0,5-8 5µm with metal bowl, automatic drain and integrated gauge

Service 3 unit | BG1



Image shows:
92701.CC00

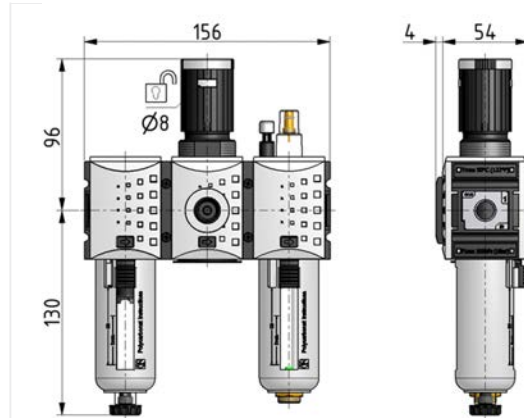
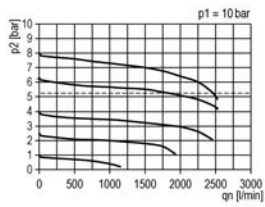
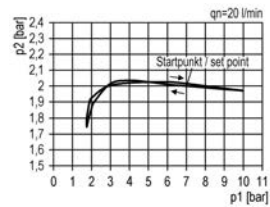


Image shows:
92701.CC00

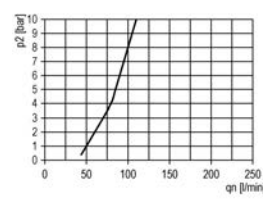
flow characteristic



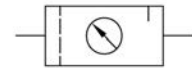
pressure characteristic



lubricator operating limit



symbol



technical data

- **description:** sinter filter centrifugal principle, diaphragm-type pressure with secondary air exhaust, lubricator with automatic oil filling
- **medium:** compressed air, neutral gases
- **supply pressure P1 min.:** 1,5 bar
- **supply pressure P1 max.:** 16 bar
- **temperature range:** 0 - 50°C
- **bowl:** PC with PA bowl guard
- **drain:** HA
- **locking:** lockable setting knob
- **mounting:** vertical
- **filter element:** 5 µm
- **bowl volume lubricator:** 40 cm³
- **oil metering qv=1.000l/min:** 1 - 2 drops/min
- **oil type:** CL 32 DIN 51517 - ISO VG 32

accessories



- **mounting bracket:**
[KBW.1-1225](#)



- **coupling kit wall mounting:**
[KKOP.1W](#)



- **control panel mounting:**
[KBW.1-1227](#) + SM.1

- **rotary lock:** VH.31 without key or VH.32 with key

Service 3 unit

Service 2 unit

Filterregler

Filter

Filter regulator

Lubricator

System extensions

Accessories

Special products

Service 3 unit

Service 2 unit

Filterregler

Filter

Filter regulator

Lubricator

System extensions

Accessories

Special products

type	part-number	description
KS3U-114/8	92701.CC00	Service 3 unit G1/4 0,5-8 5µm with PC bowl, bowl guard and semi automatic drain
KS3U-114/8 AM	92701.CC01	Service 3 unit G1/4 0,5-8 5µm with PC bowl, bowl guard and automatic drain
KS3U-114/8 H	92701.CC50	Service 3 unit G1/4 0,5-8 5µm with metal bowl and semi automatic drain
KS3U-114/8 H AM	92701.CC51	Service 3 unit G1/4 0,5-8 5µm with metal bowl and automatic drain
KS3U-138/8	92701.DD00	Service 3 unit G3/8 0,5-8 5µm with PC bowl, bowl guard and semi automatic drain
KS3U-138/8 AM	92701.DD01	Service 3 unit G3/8 0,5-8 5µm with PC bowl, bowl guard and automatic drain
KS3U-138/8 H	92701.DD50	Service 3 unit G3/8 0,5-8 5µm with metal bowl and semi automatic drain
KS3U-138/8 H AM	92701.DD51	Service 3 unit G3/8 0,5-8 5µm with metal bowl and automatic drain

Service 3 unit | BG2



Image shows:
92702.DD00

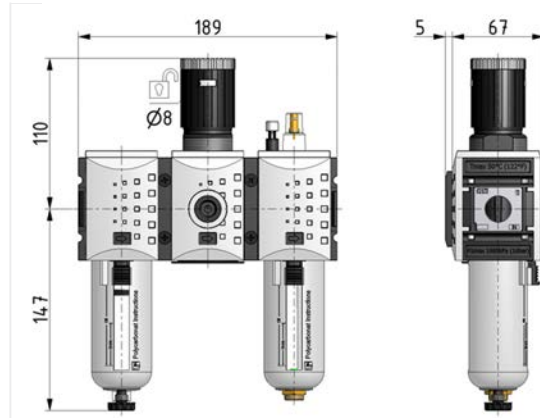
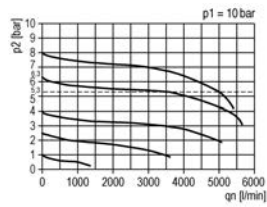
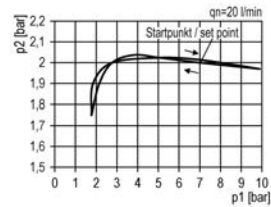


Image shows:
92702.DD00

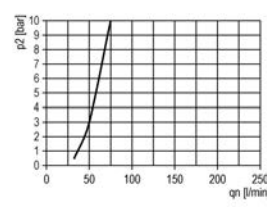
flow characteristic



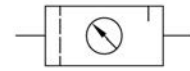
pressure characteristic



lubricator operating limit






symbol



technical data

- **description:** sinter filter centrifugal principle, diaphragm-type pressure with secondary air exhaust, lubricator with automatic oil filling
- **medium:** compressed air, neutral gases
- **supply pressure P1 min.:** 1,5 bar
- **supply pressure P1 max.:** 16 bar
- **temperature range:** 0 - 50°C
- **bowl:** PC with PA bowl guard
- **drain:** HA
- **locking:** lockable setting knob
- **mounting:** vertical
- **filter element:** 5 µm
- **bowl volume lubricator:** 80 cm³
- **oil metering qv=1.000l/min:** 1 - 2 drops/min
- **oil type:** CL 32 DIN 51517 - ISO VG 32

accessories

- | | | |
|---|--|--|
|  <ul style="list-style-type: none"> • mounting bracket:
KBW.2-1225 |  <ul style="list-style-type: none"> • coupling kit wall mounting:
KKOP.2W |  <ul style="list-style-type: none"> • control panel mounting:
KBW.2-1227 + SM.2 |
| <ul style="list-style-type: none"> • rotary lock: VH.31 without key or VH.32 with key | | |

Service 3 unit

Service 2 unit

Filterregler

Filter

Filter regulator

Lubricator

System extensions

Accessories

Special products

Service 3 unit

Service 2 unit

Filterregler

Filter

Filter regulator

Lubricator

System extensions

Accessories

Special products

type	part-number	description
KS3U-238/8	92702.DD00	Service 3 unit G3/8 0,5-8 5µm with PC bowl, bowl guard and semi automatic drain
KS3U-238/8 AM	92702.DD01	Service 3 unit G3/8 0,5-8 5µm with PC bowl, bowl guard and automatic drain
KS3U-238/8 H	92702.DD50	Service 3 unit G3/8 0,5-8 5µm with metal bowl and semi automatic drain
KS3U-238/8 H AM	92702.DD51	Service 3 unit G3/8 0,5-8 5µm with metal bowl and automatic drain
KS3U-212/8	92702.EE00	Service 3 unit G1/2 0,5-8 5µm with PC bowl, bowl guard and semi automatic drain
KS3U-212/8 AM	92702.EE01	Service 3 unit G1/2 0,5-8 5µm with PC bowl, bowl guard and automatic drain
KS3U-212/8 H	92702.EE50	Service 3 unit G1/2 0,5-8 5µm with metal bowl and semi automatic drain
KS3U-212/8 H AM	92702.EE51	Service 3 unit G1/2 0,5-8 5µm with metal bowl and automatic drain

Service 3 unit | BG4



Image shows:
92704.FF00

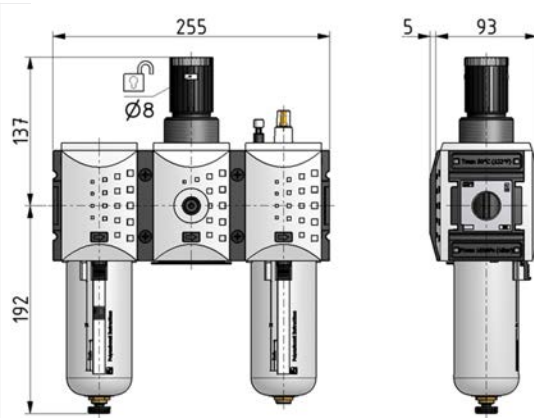
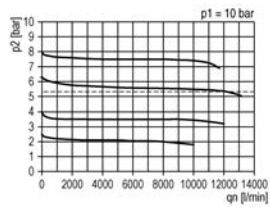
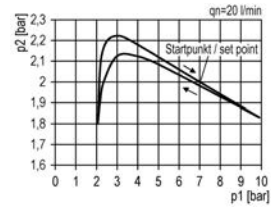


Image shows:
92704.FF00

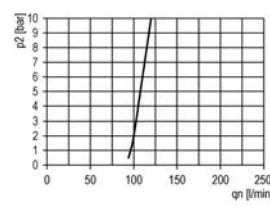
flow characteristic



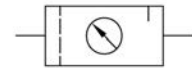
pressure characteristic



lubricator operating limit



symbol



technical data

- **description:** sinter filter centrifugal principle, diaphragm-type pressure with secondary air exhaust, lubricator with automatic oil filling
- **medium:** compressed air, neutral gases
- **supply pressure P1 min.:** 1,5 bar
- **supply pressure P1 max.:** 16 bar
- **temperature range:** 0 - 50°C
- **bowl:** PC with PA bowl guard
- **drain:** HA
- **locking:** lockable setting knob
- **mounting:** vertical
- **filter element:** 5 µm
- **bowl volume lubricator:** 181 cm³
- **oil metering qv=1.000l/min:** 1 - 2 drops/min
- **oil type:** CL 32 DIN 51517 - ISO VG 32
- **air consumption:** max. 1,5 l/min

accessories



- **mounting bracket:**
[KBW.4-1225](#)



- **coupling kit wall mounting:**
[KKOP.4W](#)

- **control panel mounting:**
control panel nut C.33-42

- **rotary lock:** VH.31 without key or VH.32 with key

Service 3 unit

Service 2 unit

Filterregler

Filter

Filter regulator

Lubricator

System extensions

Accessories

Special products

Service 3 unit

Service 2 unit

Filterregler

Filter

Filter regulator

Lubricator

System extensions

Accessories

Special products

type	part-number	description
KS3U-434/8	92704.FF00	Service 3 unit G3/4 0,5-8 5µm with PC bowl, bowl guard and semi automatic drain
KS3U-434/8 AM	92704.FF01	Service 3 unit G3/4 0,5-8 5µm with PC bowl, bowl guard and automatic drain
KS3U-434/8 H	92704.FF50	Service 3 unit G3/4 0,5-8 5µm with metal bowl and semi automatic drain
KS3U-434/8 H AM	92704.FF51	Service 3 unit G3/4 0,5-8 5µm with metal bowl and automatic drain
KS3U-41/8	92704.GG00	Service 3 unit G1 0,5-8 5µm with PC bowl, bowl guard and semi automatic drain
KS3U-41/8 AM	92704.GG01	Service 3 unit G1 0,5-8 5µm with PC bowl, bowl guard and automatic drain
KS3U-41/8 H	92704.GG50	Service 3 unit G1 0,5-8 5µm with metal bowl and semi automatic drain
KS3U-41/8 H AM	92704.GG51	Service 3 unit G1 0,5-8 5µm with metal bowl and automatic drain

Service 2 unit | BGO



Image shows:
92800.CC00

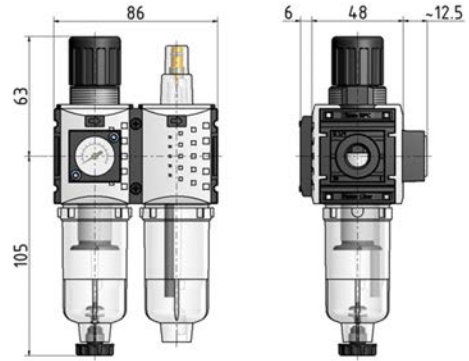
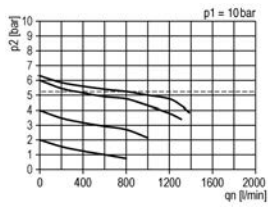
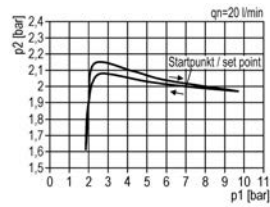


Image shows:
92800.CC00

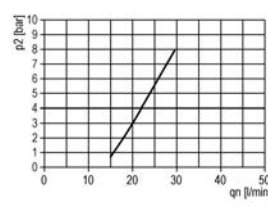
flow characteristic



pressure characteristic



lubricator operating limit



symbol



technical data

- **description:** sinter filter centrifugal principle, diaphragm-type pressure with secondary air exhaust, micro mist lubricator
- **medium:** compressed air, neutral gases
- **supply pressure P1 min.:** 1,5 bar
- **supply pressure P1 max.:** 12 bar
- **temperature range:** 0 - 50°C
- **bowl:** PC
- **drain:** HA
- **mounting:** vertical
- **filter element:** 5 µm
- **bowl volume lubricator:** 35 cm³
- **oil metering qv=1.000l/min:** 10 - 20 drops/min
- **oil type:** CL 32 DIN 51517 - ISO VG 32

accessories



- **mounting bracket:**
[KBW.0-1225](#)



- **coupling kit wall mounting:**
[KKOP.0W](#)



- **control panel mounting:**
[KBW.0-1227](#) + C.00-34

- **adapter for pressure gauge:**
KKPS.0-54

type	part-number	description
KS2U-014/8 G	92800.CC00	Service 2 unit G1/4 0,5-8 5µm with PC bowl, semi automatic drain and integrated gauge
KS2U-014/8 AM G	92800.CC01	Service 2 unit G1/4 0,5-8 5µm with PC bowl, automatic drain and integrated gauge
KS2U-014/8 M G	92800.CC50	Service 2 unit G1/4 0,5-8 5µm with metal bowl, semi automatic drain and integrated gauge
KS2U-014/8 M AMG	92800.CC51	Service 2 unit G1/4 0,5-8 5µm with metal bowl, automatic drain and integrated gauge

Service 3 unit

Service 2 unit

Filterregler

Filter

Filter regulator

Lubricator

System extensions

Accessories

Special products

Service 2 unit | BG1



Image shows:
92801.CC00

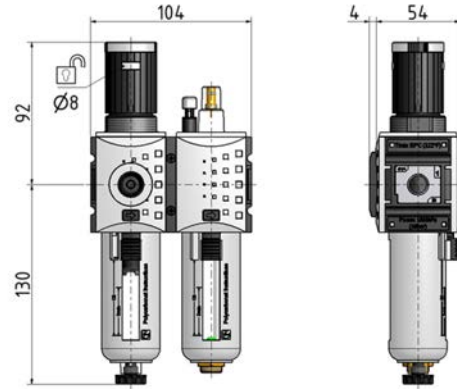
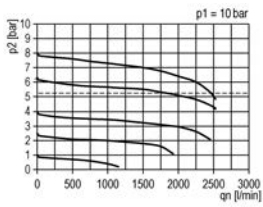
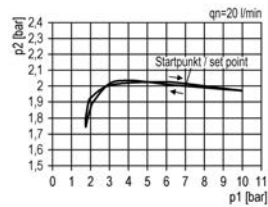


Image shows:
92801.CC00

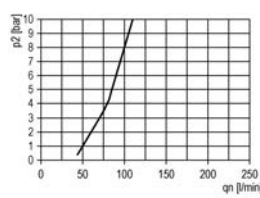
flow characteristic



pressure characteristic



lubricator operating limit



symbol



technical data

- **description:** sinter filter centrifugal principle, diaphragm-type pressure with secondary air exhaust, lubricator with automatic oil filling
- **medium:** compressed air, neutral gases
- **supply pressure P1 min.:** 1,5 bar
- **supply pressure P1 max.:** 16 bar
- **temperature range:** 0 - 50°C
- **bowl:** PC with PA bowl guard
- **drain:** HA
- **locking:** lockable setting knob
- **mounting:** vertical
- **filter element:** 5 µm
- **bowl volume lubricator:** 40 cm³
- **oil metering qv=1.000l/min:** 1 - 2 drops/min
- **oil type:** CL 32 DIN 51517 - ISO VG 32

accessories



- **mounting bracket:**
[KBW.1-1225](#)



- **coupling kit wall mounting:**
[KKOP.1W](#)



- **control panel mounting:**
[KBW.1-1227](#) + SM.1

- **rotary lock:** VH.31 without key or VH.32 with key

type	part-number	description
KS2U-114/8	92801.CC00	Service 2 unit G1/4 0,5-8 5µm with PC bowl, bowl guard and semi automatic drain
KS2U-114/8 AM	92801.CC01	Service 2 unit G1/4 0,5-8 5µm with PC bowl, bowl guard and automatic drain
KS2U-114/8 H	92801.CC50	Service 2 unit G1/4 0,5-8 5µm with metal bowl and semi automatic drain
KS2U-114/8 H AM	92801.CC51	Service 2 unit G1/4 0,5-8 5µm with metal bowl and automatic drain
KS2U-138/8	92801.DD00	Service 2 unit G3/8 0,5-8 5µm with PC bowl, bowl guard and semi automatic drain
KS2U-138/8 AM	92801.DD01	Service 2 unit G3/8 0,5-8 5µm with PC bowl, bowl guard and automatic drain
KS2U-138/8 H	92801.DD50	Service 2 unit G3/8 0,5-8 5µm with metal bowl and semi automatic drain
KS2U-138/8 H AM	92801.DD51	Service 2 unit G3/8 0,5-8 5µm with metal bowl and semi automatic drain

Service 3 unit

Service 2 unit

Filterregler

Filter

Filter regulator

Lubricator

System extensions

Accessories

Special products

Service 2 unit | BG2



Image shows:
92802.DD00

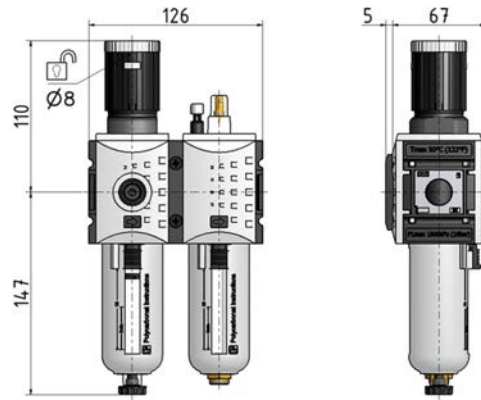
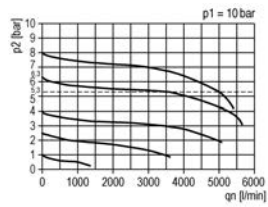
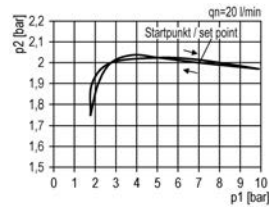


Image shows:
92802.DD00

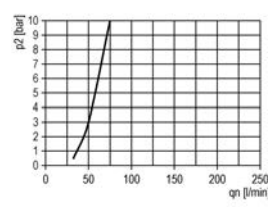
flow characteristic



pressure characteristic



lubricator operating limit



symbol



technical data

- **description:** sinter filter centrifugal principle, diaphragm-type pressure with secondary air exhaust, lubricator with automatic oil filling
- **medium:** compressed air, neutral gases
- **supply pressure P1 min.:** 1,5 bar
- **supply pressure P1 max.:** 16 bar
- **temperature range:** 0 - 50°C
- **bowl:** PC with PA bowl guard
- **drain:** HA
- **locking:** lockable setting knob
- **mounting:** vertical
- **filter element:** 5 µm
- **bowl volume lubricator:** 80 cm³
- **oil metering qv=1.000l/min:** 1 - 2 drops/min
- **oil type:** CL 32 DIN 51517 - ISO VG 32

accessories



- **mounting bracket:**
[KBW.2-1225](#)



- **coupling kit wall mounting:**
[KKOP.2W](#)



- **control panel mounting:**
[KBW.2-1227](#) + SM.2

- **rotary lock:** VH.31 without key or VH.32 with key

type	part-number	description
KS2U-238/8	92802.DD00	Service 2 unit G3/8 0,5-8 5µm with PC bowl, bowl guard and semi automatic drain
KS2U-238/8 AM	92802.DD01	Service 2 unit G3/8 0,5-8 5µm with PC bowl, bowl guard and automatic drain
KS2U-238/8 H	92802.DD50	Service 2 unit G3/8 0,5-8 5µm with metal bowl and semi automatic drain
KS2U-238/8 H AM	92802.DD51	Service 2 unit G3/8 0,5-8 5µm with metal bowl and automatic drain
KS2U-212/8	92802.EE00	Service 2 unit G1/2 0,5-8 5µm with PC bowl, bowl guard and semi automatic drain
KS2U-212/8 AM	92802.EE01	Service 2 unit G1/2 0,5-8 5µm with PC bowl, bowl guard and automatic drain
KS2U-212/8 H	92802.EE50	Service 2 unit G1/2 0,5-8 5µm with metal bowl and semi automatic drain
KS2U-212/8 H AM	92802.EE51	Service 2 unit G1/2 0,5-8 5µm with metal bowl and automatic drain

Service 3 unit

Service 2 unit

Filterregler

Filter

Filter regulator

Lubricator

System extensions

Accessories

Special products

Service 2 unit | BG4

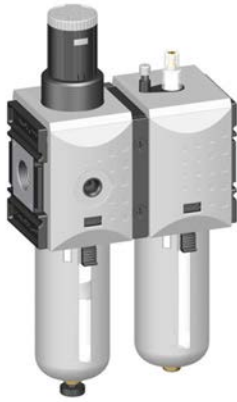


Image shows:
92804.FF00

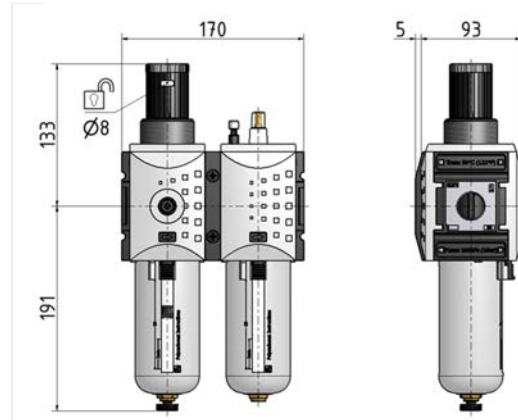
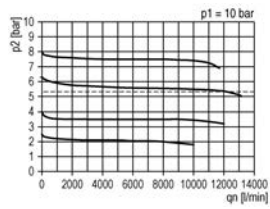
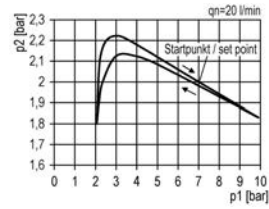


Image shows:
92804.FF00

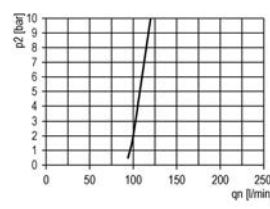
flow characteristic



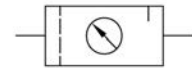
pressure characteristic



lubricator operating limit



symbol



technical data

- **description:** sinter filter centrifugal principle, diaphragm-type pressure with secondary air exhaust, lubricator with automatic oil filling
- **medium:** compressed air, neutral gases
- **supply pressure P1 min.:** 1,5 bar
- **supply pressure P1 max.:** 16 bar
- **temperature range:** 0 - 50°C
- **bowl:** PC with PA bowl guard
- **drain:** HA
- **locking:** lockable setting knob
- **mounting:** vertical
- **filter element:** 5 µm
- **bowl volume lubricator:** 181 cm³
- **oil metering qv=1.000l/min:** 1 - 2 drops/min
- **oil type:** CL 32 DIN 51517 - ISO VG 32
- **air consumption:** max. 1,5 l/min

accessories



- **mounting bracket:**
[KBW.4-1225](#)



- **coupling kit wall mounting:**
[KKOP.4W](#)

- **control panel mounting:**
control panel nut C.33-42

- **rotary lock:** VH.31 without key or VH.32 with key

type	part-number	description
KS2U-434/8	92804.FF00	Service 2 unit G3/4 0,5-8 5µm with PC bowl, bowl guard and semi automatic drain
KS2U-434/8 AM	92804.FF01	Service 2 unit G3/4 0,5-8 5µm with PC bowl, bowl guard and automatic drain
KS2U-434/8 H	92804.FF50	Service 2 unit G3/4 0,5-8 5µm with metal bowl and semi automatic drain
KS2U-434/8 H AM	92804.FF51	Service 2 unit G3/4 0,5-8 5µm with metal bowl and automatic drain
KS2U-41/8	92804.GG00	Service 2 unit G1 0,5-8 5µm with PC bowl, bowl guard and semi automatic drain
KS2U-41/8 AM	92804.GG01	Service 2 unit G1 0,5-8 5µm with PC bowl, bowl guard and automatic drain
KS2U-41/8 H	92804.GG50	Service 2 unit G1 0,5-8 5µm with metal bowl and semi automatic drain
KS2U-41/8 H AM	92804.GG51	Service 2 unit G1 0,5-8 5µm with metal bowl and automatic drain

Service 3 unit

Service 2 unit

Filterregler

Filter

Filter regulator

Lubricator

System extensions

Accessories

Special products

Filter regulator | BGO



Image shows:
92100.CC00

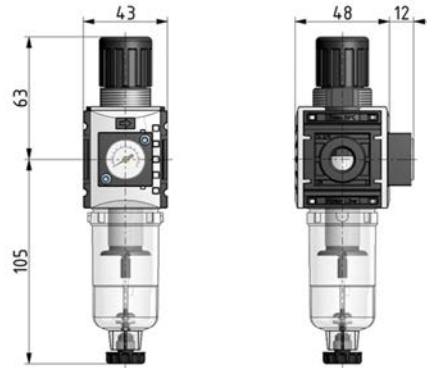
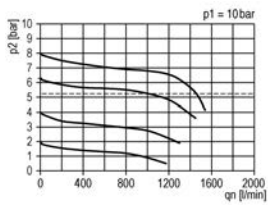
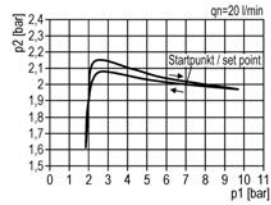


Image shows:
92100.CC00

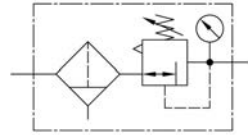
flow characteristic



pressure characteristic



symbol



technical data

- **description:** sinter filter centrifugal principle, diaphragm-type pressure with secondary air exhaust
- **medium:** compressed air, neutral gases
- **supply pressure P1 min.:** 1,5 bar
- **supply pressure P1 max.:** 12 bar
- **temperature range:** 0 - 50°C
- **bowl:** PC
- **drain:** HA
- **mounting:** vertical
- **filter element:** 5 µm

accessories



- **mounting bracket:**
[KBW.0-1225](#)



- **coupling kit wall mounting:**
[KKOP.0W](#)



- **control panel mounting:**
[KBW.0-1227](#) + C.00-34

- **adapter for pressure gauge:**
KKPS.0-54

type	part-number	description
KFRG-014/8 G	92100.CC00	Filter regulator G1/4 0,5-8 5µm with PC bowl, semi automatic drain and integrated gauge
KFRG-014/8 AM G	92100.CC01	Filter regulator G1/4 0,5-8 5µm with PC bowl, automatic drain and integrated gauge
KFRG-014/8 M G	92100.CC50	Filter regulator G1/4 0,5-8 5µm with metal bowl, semi automatic drain and integrated gauge
KFRG-014/8 M AMG	92100.CC51	Filter regulator G1/4 0,5-8 5µm with metal bowl, automatic drain and integrated gauge

Filter regulator | BG1



Image shows:
92101.CC00

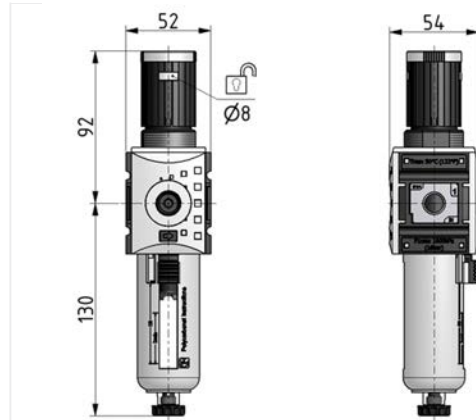
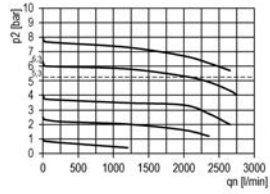
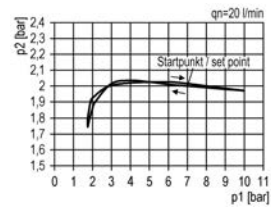


Image shows:
92101.CC00

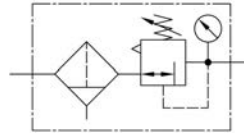
flow characteristic



pressure characteristic






symbol



technical data

- **description:** sinter filter centrifugal principle, diaphragm-type pressure with secondary air exhaust
- **medium:** compressed air, neutral gases
- **supply pressure P1 min.:** 1,5 bar
- **supply pressure P1 max.:** 16 bar
- **temperature range:** 0 - 50°C
- **bowl:** PC with PA bowl guard
- **drain:** HA
- **locking:** lockable setting knob
- **mounting:** vertical
- **filter element:** 5 µm

accessories

- | | | |
|---|--|--|
|  <ul style="list-style-type: none"> • mounting bracket:
KBW.1-1225 |  <ul style="list-style-type: none"> • coupling kit wall mounting:
KKOP.1W |  <ul style="list-style-type: none"> • control panel mounting:
KBW.1-1227 + SM.1 |
| <ul style="list-style-type: none"> • rotary lock: VH.31 without key or VH.32 with key | | |

Service 3 unit

Service 2 unit

Filterregler

Filter

Filter regulator

Lubricator

System extensions

Accessories

Special products

	type	part-number	description
Service 3 unit	KFRG-114/8	92101.CC00	Filter regulator G1/4 0,5-8 5µm with PC bowl, bowl guard and semi automatic drain
	KFRG-114/8 AM	92101.CC01	Filter regulator G1/4 0,5-8 5µm with PC bowl, bowl guard and automatic drain
	KFRG-114/8 H	92101.CC50	Filter regulator G1/4 0,5-8 5µm with metal bowl and semi automatic drain
Service 2 unit	KFRG-114/8 H AM	92101.CC51	Filter regulator G1/4 0,5-8 5µm with metal bowl and automatic drain
	KFRG-138/8	92101.DD00	Filter regulator G3/8 0,5-8 5µm with PC bowl, bowl guard and semi automatic drain
	KFRG-138/8 AM	92101.DD01	Filter regulator G3/8 0,5-8 5µm with PC bowl, bowl guard and automatic drain
	KFRG-138/8 H	92101.DD50	Filter regulator G3/8 0,5-8 5µm with metal bowl and semi automatic drain
	KFRG-138/8 H AM	92101.DD51	Filter regulator G3/8 0,5-8 5µm with metal bowl and automatic drain

Service 3 unit

Service 2 unit

Filterregler

Filter

Filter regulator

Lubricator

System extensions

Accessories

Special products

Filter regulator | BG2



Image shows:
92102.DD00

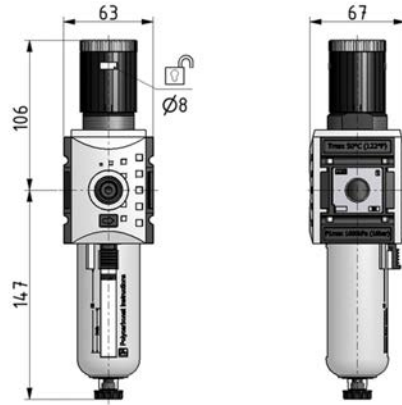
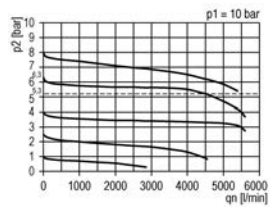
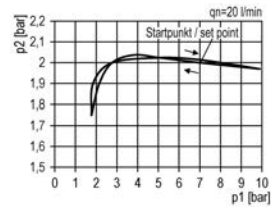


Image shows:
92102.DD00

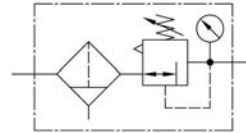
flow characteristic



pressure characteristic



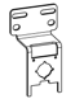


symbol



technical data

- **description:** sinter filter centrifugal principle, diaphragm-type pressure with secondary air exhaust
- **medium:** compressed air, neutral gases
- **supply pressure P1 min.:** 1,5 bar
- **supply pressure P1 max.:** 16 bar
- **temperature range:** 0 - 50°C
- **bowl:** PC with PA bowl guard
- **drain:** HA
- **locking:** lockable setting knob
- **mounting:** vertical
- **filter element:** 5 µm

accessories

- | | | |
|---|--|--|
|  <ul style="list-style-type: none"> • mounting bracket:
KBW.2-1225 |  <ul style="list-style-type: none"> • coupling kit wall mounting:
KKOP.2W |  <ul style="list-style-type: none"> • control panel mounting:
KBW.2-1227 + SM.2 |
| <ul style="list-style-type: none"> • rotary lock: VH.31 without key or VH.32 with key | | |

Service 3 unit

Service 2 unit

Filterregler

Filter

Filter regulator

Lubricator

System extensions

Accessories

Special products

	type	part-number	description
Service 3 unit	KFRG-238/8	92102.DD00	Filter regulator G3/8 0,5-8 5µm with PC bowl, bowl guard and semi automatic drain
	KFRG-238/8 AM	92102.DD01	Filter regulator G3/8 0,5-8 5µm with PC bowl, bowl guard and automatic drain
	KFRG-238/8 H	92102.DD50	Filter regulator G3/8 0,5-8 5µm with metal bowl and semi automatic drain
Service 2 unit	KFRG-238/8 H AM	92102.DD51	Filter regulator G3/8 0,5-8 5µm with metal bowl and automatic drain
	KFRG-212/8	92102.EE00	Filter regulator G1/2 0,5-8 5µm with PC bowl, bowl guard and semi automatic drain
	KFRG-212/8 AM	92102.EE01	Filter regulator G1/2 0,5-8 5µm with PC bowl, bowl guard and automatic drain
	KFRG-212/8 H	92102.EE50	Filter regulator G1/2 0,5-8 5µm with metal bowl and semi automatic drain
	KFRG-212/8 H AM	92102.EE51	Filter regulator G1/2 0,5-8 5µm with metal bowl and automatic drain

Service 3 unit

Service 2 unit

Filterregler

Filter

Filter regulator

Lubricator

System extensions

Accessories

Special products

Filter regulator | BG4



Image shows:
92104.FF00

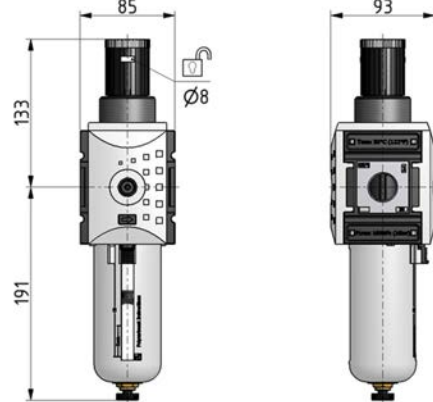
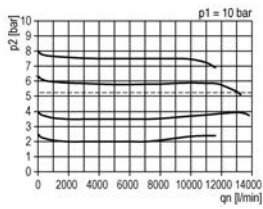
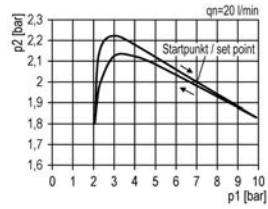


Image shows:
92104.FF00

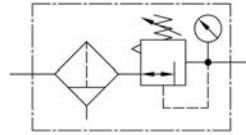
flow characteristic



pressure characteristic



symbol



technical data

- **description:** sinter filter centrifugal principle, pilot controlled diaphragm-type pressure with secondary air exhaust
- **medium:** compressed air, neutral gases
- **supply pressure P1 min.:** 1,5 bar
- **supply pressure P1 max.:** 16 bar
- **temperature range:** 0 - 50°C
- **bowl:** PC with PA bowl guard
- **drain:** HA
- **locking:** lockable setting knob
- **mounting:** vertical
- **filter element:** 5 µm
- **air consumption:** max. 1,5 l/min

accessories



- **mounting bracket:**
[KBW.4-1225](#)



- **coupling kit wall mounting:**
[KKOP.4W](#)

- **control panel mounting:**
control panel nut C.33-42

- **rotary lock:** VH.31 without key or VH.32 with key

Service 3 unit

Service 2 unit

Filterregler

Filter

Filter regulator

Lubricator

System extensions

Accessories

Special products

	type	part-number	description
Service 3 unit	KFRG-434/8	92104.FF00	Filter regulator G3/4 0,5-8 5µm with PC bowl, bowl guard and semi automatic drain
	KFRG-434/8 AM	92104.FF01	Filter regulator G3/4 0,5-8 5µm with PC bowl, bowl guard and automatic drain
	KFRG-434/8 H	92104.FF50	Filter regulator G3/4 0,5-8 5µm with metal bowl and semi automatic drain
	KFRG-434/8 H AM	92104.FF51	Filter regulator G3/4 0,5-8 5µm with metal bowl and automatic drain
Service 2 unit	KFRG-41/8	92104.GG00	Filter regulator G1 0,5-8 5µm with PC bowl, bowl guard and semi automatic drain
	KFRG-41/8 AM	92104.GG01	Filter regulator G1 0,5-8 5µm with PC bowl, bowl guard and automatic drain
	KFRG-41/8 H	92104.GG50	Filter regulator G1 0,5-8 5µm with metal bowl and semi automatic drain
	KFRG-41/8 H AM	92104.GG51	Filter regulator G1 0,5-8 5µm with metal bowl and automatic drain

Service 3 unit

Service 2 unit

Filterregler

Filter

Filter regulator

Lubricator

System extensions

Accessories

Special products

Filter | BGO



Image shows:
91300.CC00

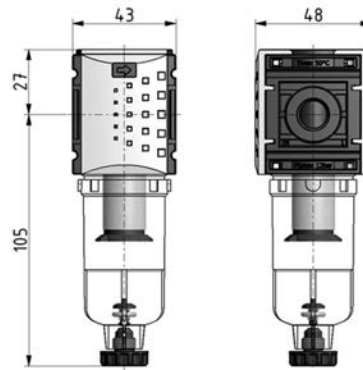
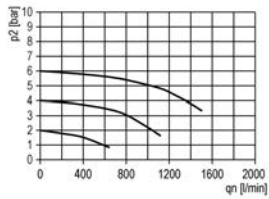
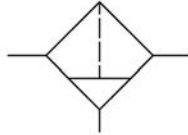


Image shows:
91300.CC00

flow characteristic



symbol



technical data

- **description:** sinter filter centrifugal principle
- **medium:** compressed air, neutral gases
- **supply pressure P1 min.:** 1,5 bar
- **supply pressure P1 max.:** 12 bar
- **temperature range:** 0 - 50°C
- **bowl:** PC
- **drain:** HA
- **mounting:** vertical
- **filter element:** 5 µm

accessories



- **mounting bracket:**
[KBW.0-1225](#)



- **coupling kit wall mounting:**
[KKOP.0W](#)

type	part-number	description
KFIL-014	91300.CC00	Filter G1/4 5µm with PC bowl and semi automatic drain
KFIL-014 AM	91300.CC01	Filter G1/4 5µm with PC bowl and automatic drain
KFIL-014 M	91300.CC50	Filter G1/4 5µm with metal bowl and semi automatic drain
KFIL-014 M AM	91300.CC51	Filter G1/4 5µm with metal bowl and automatic drain

Service 3 unit

Service 2 unit

Filterregler

Filter

Filter regulator

Lubricator

System extensions

Accessories

Special products

Filter | BG1



Image shows:
91301.CC00

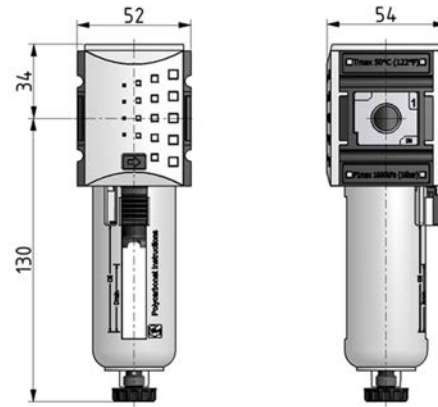


Image shows:
91301.CC00

Service 3 unit

Service 2 unit

Filterregler

Filter

Filter regulator

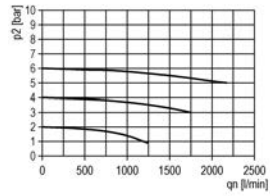
Lubricator

System extensions

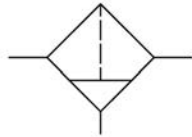
Accessories

Special products

flow characteristic



symbol



technical data

- **description:** sinter filter centrifugal principle
- **medium:** compressed air, neutral gases
- **supply pressure P1 min.:** 1,5 bar
- **supply pressure P1 max.:** 16 bar
- **temperature range:** 0 - 50°C
- **bowl:** PC with PA bowl guard
- **drain:** HA
- **mounting:** vertical
- **filter element:** 5 µm

accessories



- **mounting bracket:**
[KBW.1-1225](#)



- **coupling kit wall mounting:**
[KKOP.1W](#)

type	part-number	description
KFIL-114	91301.CC00	Filter G1/4 5µm with PC bowl, bowl guard and semi automatic drain
KFIL-114 AM	91301.CC01	Filter G1/4 5µm with PC bowl, bowl guard and automatic drain
KFIL-114 H	91301.CC50	Filter G1/4 5µm with metal bowl and semi automatic drain
KFIL-114 H AM	91301.CC51	Filter G1/4 5µm with metal bowl and automatic drain
KFIL-138	91301.DD00	Filter G3/8 5µm with PC bowl, bowl guard and semi automatic drain
KFIL-138 AM	91301.DD01	Filter G3/8 5µm with PC bowl, bowl guard and automatic drain
KFIL-138 H	91301.DD50	Filter G3/8 5µm with metal bowl and semi automatic drain
KFIL-138 H AM	91301.DD51	Filter G3/8 5µm with metal bowl and automatic drain

Service 3 unit

Service 2 unit

Filterregler

Filter

Filter regulator

Lubricator

System extensions

Accessories

Special products

Filter | BG2



Image shows:
91302.DD00

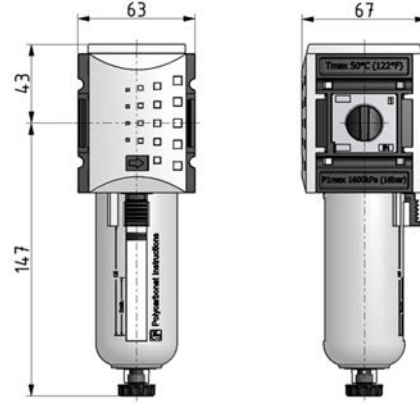
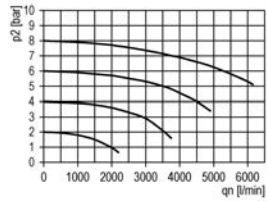
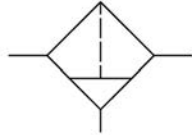


Image shows:
91302.DD00

flow characteristic



symbol



technical data

- **description:** sinter filter centrifugal principle
- **medium:** compressed air, neutral gases
- **supply pressure P1 min.:** 1,5 bar
- **supply pressure P1 max.:** 16 bar
- **temperature range:** 0 - 50°C
- **bowl:** PC with PA bowl guard
- **drain:** HA
- **mounting:** vertical
- **filter element:** 5 µm

accessories



- **mounting bracket:**
[KBW.2-1225](#)



- **coupling kit wall mounting:**
[KKOP.2W](#)

Service 3 unit

Service 2 unit

Filterregler

Filter

Filter regulator

Lubricator

System extensions

Accessories

Special products

type	part-number	description
KFIL-238	91302.DD00	Filter G3/8 5µm with PC bowl, bowl guard and semi automatic drain
KFIL-238 AM	91302.DD01	Filter G3/8 5µm with PC bowl, bowl guard and automatic drain
KFIL-238 H	91302.DD50	Filter G3/8 5µm with metal bowl and semi automatic drain
KFIL-238 H AM	91302.DD51	Filter G3/8 5µm with metal bowl and automatic drain
KFIL-212	91302.EE00	Filter G1/2 5µm with PC bowl, bowl guard and semi automatic drain
KFIL-212 AM	91302.EE01	Filter G1/2 5µm with PC bowl, bowl guard and automatic drain
KFIL-212 H	91302.EE50	Filter G1/2 5µm with metal bowl and semi automatic drain
KFIL-212 H AM	91302.EE51	Filter G1/2 5µm with metal bowl and automatic drain

Service 3 unit

Service 2 unit

Filterregler

Filter

Filter regulator

Lubricator

System extensions

Accessories

Special products

Filter | BG4



Image shows:
91304.FF00

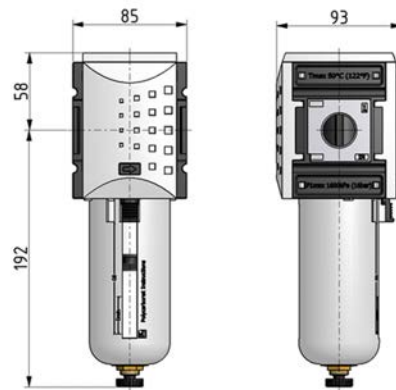
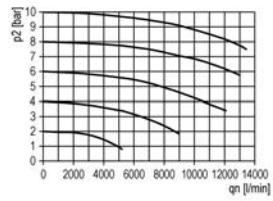
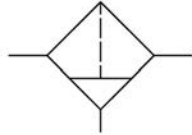


Image shows:
91304.FF00

flow characteristic



symbol



technical data

- **description:** sinter filter centrifugal principle
- **medium:** compressed air, neutral gases
- **supply pressure P1 min.:** 1,5 bar
- **supply pressure P1 max.:** 16 bar
- **temperature range:** 0 - 50°C
- **bowl:** PC with PA bowl guard
- **drain:** HA
- **mounting:** vertical
- **filter element:** 5 µm

accessories



- **mounting bracket:**
[KBW.4-1225](#)



- **coupling kit wall mounting:**
[KKOP.4W](#)

type	part-number	description
KFIL-434	91304.FF00	Filter G3/4 5µm with PC bowl, bowl guard and semi automatic drain
KFIL-434 AM	91304.FF01	Filter G3/4 5µm with PC bowl, bowl guard and automatic drain
KFIL-434 H	91304.FF50	Filter G3/4 5µm with metal bowl and semi automatic drain
KFIL-434 H AM	91304.FF51	Filter G3/4 5µm with metal bowl and automatic drain
KFIL-41	91304.GG00	Filter G1 5µm with PC bowl, bowl guard and semi automatic drain
KFIL-41 AM	91304.GG01	Filter G1 5µm with PC bowl, bowl guard and automatic drain
KFIL-41 H	91304.GG50	Filter G1 5µm with metal bowl and semi automatic drain
KFIL-41 H AM	91304.GG51	Filter G1 5µm with metal bowl and automatic drain

Service 3 unit

Service 2 unit

Filterregler

Filter

Filter regulator

Lubricator

System extensions

Accessories

Special products

Prefilter | BGO



Image shows:
91310.CC00

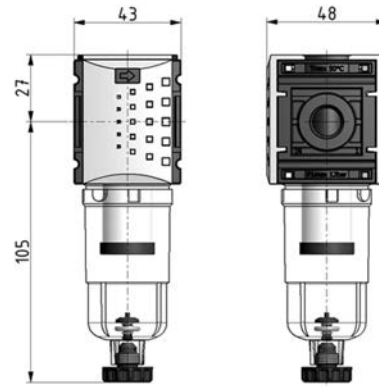
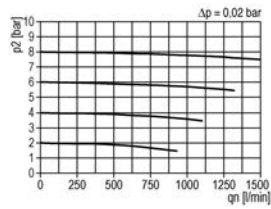
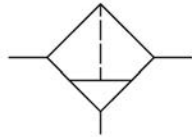


Image shows:
91310.CC00

flow characteristic



symbol



technical data

- **description:** prefilter
- **medium:** compressed air, neutral gases
- **supply pressure P1 min.:** 1,5 bar
- **supply pressure P1 max.:** 12 bar
- **temperature range:** 0 - 50°C
- **bowl:** PC
- **drain:** HA
- **mounting:** vertical
- **filter element:** 0,3 μm
- **particle separation:** 99.999%

accessories



- **mounting bracket:**
[KBW.0-1225](#)



- **coupling kit wall mounting:**
[KKOP.0W](#)

type	part-number	description
KPFI-014	91310.CC00	Prefilter G1/4 0,3μm with PC bowl and semi automatic drain
KPFI-014 AM	91310.CC01	Prefilter G1/4 0,3μm with PC bowl and automatic drain
KPFI-014 M	91310.CC50	Prefilter G1/4 0,3μm with metal bowl and semi automatic drain
KPFI-014 M AM	91310.CC51	Prefilter G1/4 0,3μm with metal bowl and automatic drain

Prefilter | BG1



Image shows:
91311.CC00

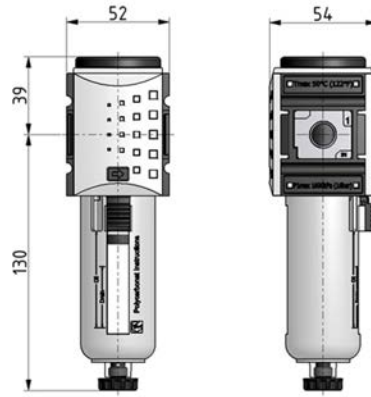
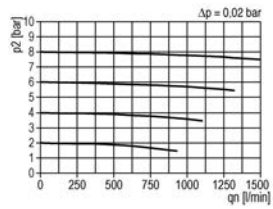
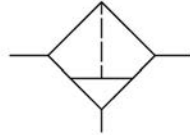


Image shows:
91311.CC00

flow characteristic



symbol



technical data

- **description:** prefilter
- **medium:** compressed air, neutral gases
- **supply pressure P1 min.:** 1,5 bar
- **supply pressure P1 max.:** 16 bar
- **temperature range:** 0 - 50°C
- **bowl:** PC with PA bowl guard
- **drain:** HA
- **mounting:** vertical
- **filter element:** 0,3 µm
- **particle separation:** 99.999%

accessories



- **mounting bracket:**
[KBW.1-1225](#)



- **coupling kit wall mounting:**
[KKOP.1W](#)

- **differential pressure display**



- **differential pressure gauge:**
[DM.2](#)

Service 3 unit

Service 2 unit

Filterregler

Filter

Filter regulator

Lubricator

System extensions

Accessories

Special products

Service 3 unit

Service 2 unit

Filterregler

Filter

Filter regulator

Lubricator

System extensions

Accessories

Special products

type	part-number	description
KPFI-114	91311.CC00	Prefilter G1/4 0,3µm with PC bowl, bowl guard and semi automatic drain
KPFI-114 AM	91311.CC01	Prefilter G1/4 0,3µm with PC bowl, bowl guard and automatic drain
KPFI-114 H	91311.CC50	Prefilter G1/4 0,3µm with metal bowl and semi automatic drain
KPFI-114 H AM	91311.CC51	Prefilter G1/4 0,3µm with metal bowl and automatic drain
KPFI-138	91311.DD00	Prefilter G3/8 0,3µm with PC bowl, bowl guard and semi automatic drain
KPFI-138 AM	91311.DD01	Prefilter G3/8 0,3µm with PC bowl, bowl guard and automatic drain
KPFI-138 H	91311.DD50	Prefilter G3/8 0,3µm with metal bowl and semi automatic drain
KPFI-138 H AM	91311.DD51	Prefilter G3/8 0,3µm with metal bowl and automatic drain

Prefilter | BG2



Image shows:
91312.DD00

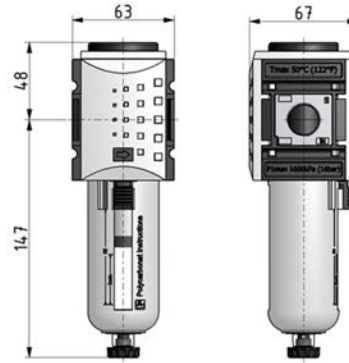
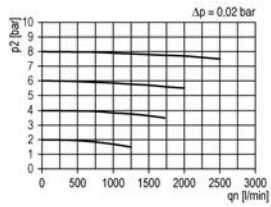
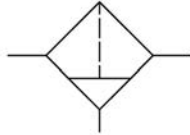


Image shows:
91312.DD00

flow characteristic



symbol



technical data

- **description:** prefilter
- **medium:** compressed air, neutral gases
- **supply pressure P1 min.:** 1,5 bar
- **supply pressure P1 max.:** 16 bar
- **temperature range:** 0 - 50°C
- **bowl:** PC with PA bowl guard
- **drain:** HA
- **mounting:** vertical
- **filter element:** 0,3 µm
- **particle separation:** 99.999%

accessories

- **mounting bracket:** [KBW.2-1225](#)
- **coupling kit wall mounting:** [KKOP.2W](#)
- **differential pressure display**
- **differential pressure gauge:** [DM.2](#)

Service 3 unit

Service 2 unit

Filterregler

Filter

Filter regulator

Lubricator

System extensions

Accessories

Special products

Service 3 unit

Service 2 unit

Filterregler

Filter

Filter regulator

Lubricator

System extensions

Accessories

Special products

type	part-number	description
KPFI-238	91312.DD00	Prefilter G3/8 0,3µm with PC bowl, bowl guard and semi automatic drain
KPFI-238 AM	91312.DD01	Prefilter G3/8 0,3µm with PC bowl, bowl guard and automatic drain
KPFI-238 H	91312.DD50	Prefilter G3/8 0,3µm with metal bowl and semi automatic drain
KPFI-238 H AM	91312.DD51	Prefilter G3/8 0,3µm with metal bowl and automatic drain
KPFI-212	91312.EE00	Prefilter G1/2 0,3µm with PC bowl, bowl guard and semi automatic drain
KPFI-212 AM	91312.EE01	Prefilter G1/2 0,3µm with PC bowl, bowl guard and automatic drain
KPFI-212 H	91312.EE50	Prefilter G1/2 0,3µm with metal bowl and semi automatic drain
KPFI-212 H AM	91312.EE51	Prefilter G1/2 0,3µm with metal bowl and automatic drain

Prefilter | BG4



Image shows:
91314.FF00

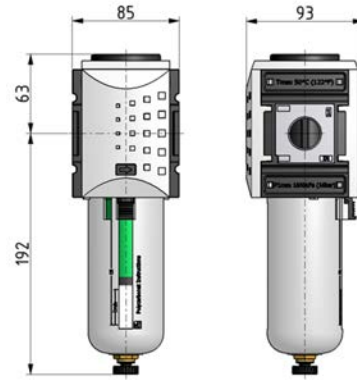
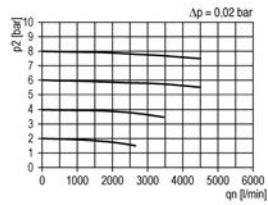
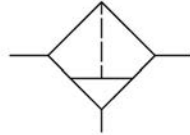


Image shows:
91314.FF00

flow characteristic



symbol



technical data

- **description:** prefilter
- **medium:** compressed air, neutral gases
- **supply pressure P1 min.:** 1,5 bar
- **supply pressure P1 max.:** 16 bar
- **temperature range:** 0 - 50°C
- **bowl:** PC with PA bowl guard
- **drain:** HA
- **mounting:** vertical
- **filter element:** 0,3 µm
- **particle separation:** 99.999%

accessories



- **mounting bracket:**
[KBW.4-1225](#)



- **coupling kit wall mounting:**
[KKOP.4W](#)

- **differential pressure display**



- **differential pressure gauge:**
[DM.2](#)

Service 3 unit

Service 2 unit

Filterregler

Filter

Filter regulator

Lubricator

System extensions

Accessories

Special products

Service 3 unit

Service 2 unit

Filterregler

Filter

Filter regulator

Lubricator

System extensions

Accessories

Special products

type	part-number	description
KPFI-434	91314.FF00	Prefilter G3/4 0,3µm with PC bowl, bowl guard and semi automatic drain
KPFI-434 AM	91314.FF01	Prefilter G3/4 0,3µm with PC bowl, bowl guard and automatic drain
KPFI-434 H	91314.FF50	Prefilter G3/4 0,3µm with metal bowl and semi automatic drain
KPFI-434 H AM	91314.FF51	Prefilter G3/4 0,3µm with metal bowl and automatic drain
KPFI-41	91314.GG00	Prefilter G1 0,3µm with PC bowl, bowl guard and semi automatic drain
KPFI-41 AM	91314.GG01	Prefilter G1 0,3µm with PC bowl, bowl guard and automatic drain
KPFI-41 H	91314.GG50	Prefilter G1 0,3µm with metal bowl and semi automatic drain
KPFI-41 H AM	91314.GG51	Prefilter G1 0,3µm with metal bowl and automatic drain

Finefilter | BG0



Image shows:
91320.CC00

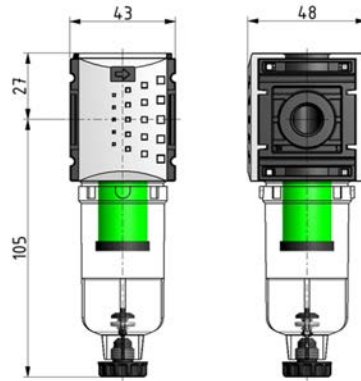
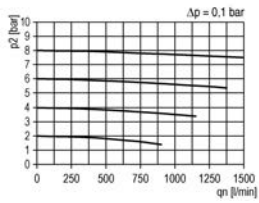
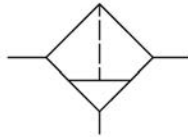


Image shows:
91320.CC00

flow characteristic



symbol



technical data

- **description:** finefilter
- **medium:** compressed air, neutral gases
- **supply pressure P1 min.:** 1,5 bar
- **supply pressure P1 max.:** 12 bar
- **temperature range:** 0 - 50°C
- **bowl:** PC
- **drain:** HA
- **mounting:** vertical
- **filter element:** 0,01 μm
- **particle separation:** class 1 according to DIN ISO 8573-1
- **residual oil concent:** < 0,01 mg/m³ 99.999%

accessories



- **mounting bracket:**
[KBW 0-1225](#)



- **coupling kit wall mounting:**
[KKOP 0W](#)

type	part-number	description
KCFI-014	91320.CC00	Finefilter G1/4 0,01μm with PC bowl and semi automatic drain
KCFI-014 AM	91320.CC01	Finefilter G1/4 0,01μm with PC bowl and automatic drain
KCFI-014 M	91320.CC50	Finefilter G1/4 0,01μm with metal bowl and semi automatic drain
KCFI-014 M AM	91320.CC51	Finefilter G1/4 0,01μm with metal bowl and automatic drain

Service 3 unit

Service 2 unit

Filterregler

Filter

Filter regulator

Lubricator

System extensions

Accessories

Special products

Finefilter | BG1



Image shows:
91321.CC00

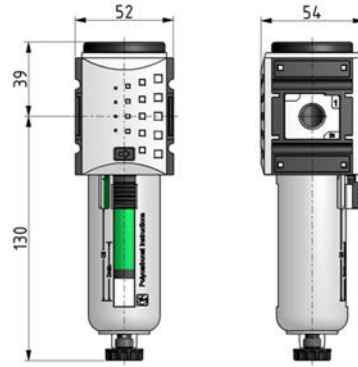
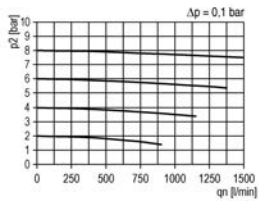
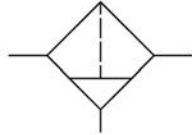


Image shows:
91321.CC00

flow characteristic



symbol



technical data

- **description:** finefilter
- **medium:** compressed air, neutral gases
- **supply pressure P1 min.:** 1,5 bar
- **supply pressure P1 max.:** 16 bar
- **temperature range:** 0 - 50°C
- **bowl:** PC with PA bowl guard
- **drain:** HA
- **mounting:** vertical
- **filter element:** 0,01 µm
- **particle separation:** class 1 according to DIN ISO 8573-1
- **residual oil concent:** < 0,01 mg/m³ 99.999%

accessories



- **mounting bracket:**
[KBW.1-1225](#)



- **coupling kit wall mounting:**
[KKOP.1W](#)

- **differential pressure display**



- **differential pressure gauge:**
[DM.2](#)

Service 3 unit

Service 2 unit

Filterregler

Filter

Filter regulator

Lubricator

System extensions

Accessories

Special products

type	part-number	description
KCFI-114	91321.CC00	Finefilter G1/4 0,01µm with PC bowl, bowl guard and semi automatic drain
KCFI-114 AM	91321.CC01	Finefilter G1/4 0,01µm with PC bowl, bowl guard and automatic drain
KCFI-114 H	91321.CC50	Finefilter G1/4 0,01µm with metal bowl and semi automatic drain
KCFI-114 H AM	91321.CC51	Finefilter G1/4 0,01µm with metal bowl and automatic drain
KCFI-138	91321.DD00	Finefilter G3/8 0,01µm with PC bowl, bowl guard and semi automatic drain
KCFI-138 AM	91321.DD01	Finefilter G3/8 0,01µm with PC bowl, bowl guard and automatic drain
KCFI-138 H	91321.DD50	Finefilter G3/8 0,01µm with metal bowl and semi automatic drain
KCFI-138 H AM	91321.DD51	Finefilter G3/8 0,01µm with metal bowl and automatic drain

Service 3 unit

Service 2 unit

Filterregler

Filter

Filter regulator

Lubricator

System extensions

Accessories

Special products

Finefilter | BG2



Image shows:
91322.DD00

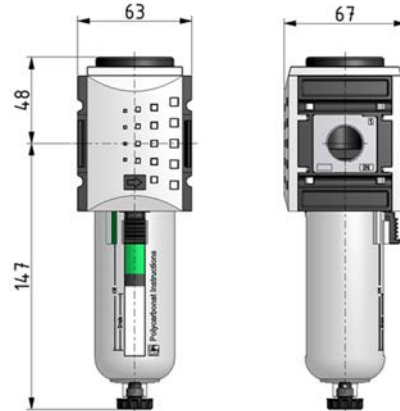
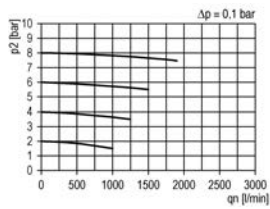
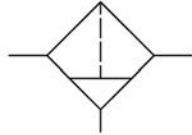


Image shows:
91322.DD00

flow characteristic



symbol



technical data

- **description:** finefilter
- **medium:** compressed air, neutral gases
- **supply pressure P1 min.:** 1,5 bar
- **supply pressure P1 max.:** 16 bar
- **temperature range:** 0 - 50°C
- **bowl:** PC with PA bowl guard
- **drain:** HA
- **mounting:** vertical
- **filter element:** 0,01 µm
- **particle separation:** class 1 according to DIN ISO 8573-1
- **residual oil concent:** < 0,01 mg/m³ 99.999%

accessories



- mounting bracket:
[KBW.2-1225](#)



- coupling kit wall mounting:
[KKOP.2W](#)

- differential pressure display



- differential pressure gauge:
[DM.2](#)

Service 3 unit

Service 2 unit

Filterregler

Filter

Filter regulator

Lubricator

System extensions

Accessories

Special products

type	part-number	description
KCFI-238	91322.DD00	Finefilter G3/8 0,01µm with PC bowl, bowl guard and semi automatic drain
KCFI-238 AM	91322.DD01	Finefilter G3/8 0,01µm with PC bowl, bowl guard and automatic drain
KCFI-238 H	91322.DD50	Finefilter G3/8 0,01µm with metal bowl and semi automatic drain
KCFI-238 H AM	91322.DD51	Finefilter G3/8 0,01µm with metal bowl and automatic drain
KCFI-212	91322.EE00	Finefilter G1/2 0,01µm with PC bowl, bowl guard and semi automatic drain
KCFI-212 AM	91322.EE01	Finefilter G1/2 0,01µm with PC bowl, bowl guard and automatic drain
KCFI-212 H	91322.EE50	Finefilter G1/2 0,01µm with metal bowl and semi automatic drain
KCFI-212 H AM	91322.EE51	Finefilter G1/2 0,01µm with metal bowl and automatic drain

Service 3 unit

Service 2 unit

Filterregler

Filter

Filter regulator

Lubricator

System extensions

Accessories

Special products

Finefilter | BG4



Image shows:
91324.FF00

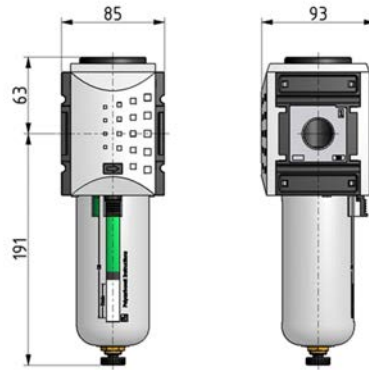
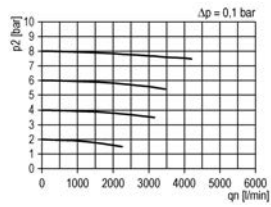
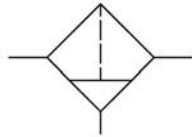


Image shows:
91324.FF00

flow characteristic



symbol



technical data

- **description:** finefilter
- **medium:** compressed air, neutral gases
- **supply pressure P1 min.:** 1,5 bar
- **supply pressure P1 max.:** 16 bar
- **temperature range:** 0 - 50°C
- **bowl:** PC with PA bowl guard
- **drain:** HA
- **mounting:** vertical
- **filter element:** 0,01 μm
- **particle separation:** class 1 according to DIN ISO 8573-1
- **residual oil concent:** < 0,01 mg/m³ 99.999%

accessories



- **mounting bracket:**
[KBW.4-1225](#)



- **coupling kit wall mounting:**
[KKOP.4W](#)

- **differential pressure display**



- **differential pressure gauge:**
[DM.2](#)

Service 3 unit

Service 2 unit

Filterregler

Filter

Filter regulator

Lubricator

System extensions

Accessories

Special products

type	part-number	description
KCFI-434	91324.FF00	Finefilter G3/4 0,01µm with PC bowl, bowl guard and semi automatic drain
KCFI-434 AM	91324.FF01	Finefilter G3/4 0,01µm with PC bowl, bowl guard and automatic drain
KCFI-434 H	91324.FF50	Finefilter G3/4 0,01µm with metal bowl and semi automatic drain
KCFI-434 H AM	91324.FF51	Finefilter G3/4 0,01µm with metal bowl and automatic drain
KCFI-41	91324.GG00	Finefilter G1 0,01µm with PC bowl, bowl guard and semi automatic drain
KCFI-41 AM	91324.GG01	Finefilter G1 0,01µm with PC bowl, bowl guard and automatic drain
KCFI-41 H	91324.GG50	Finefilter G1 0,01µm with metal bowl and semi automatic drain
KCFI-41 H AM	91324.GG51	Finefilter G1 0,01µm with metal bowl and automatic drain

Service 3 unit

Service 2 unit

Filterregler

Filter

Filter regulator

Lubricator

System extensions

Accessories

Special products

Active carbon filter | BGO



Image shows:
91330.CC00

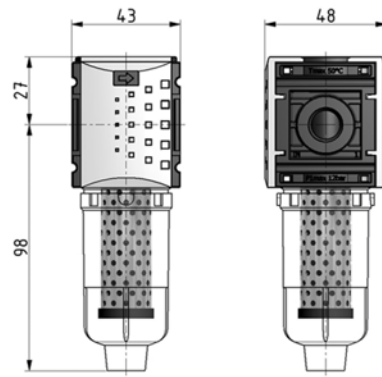
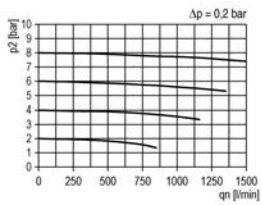
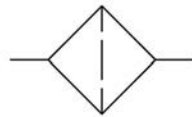


Image shows:
91330.CC00

flow characteristic



symbol



technical data

- **description:** active carbon filter
- **medium:** compressed air, neutral gases
- **supply pressure P1 min.:** 0 bar
- **supply pressure P1 max.:** 12 bar
- **temperature range:** 0 - 50°C
- **bowl:** PC
- **mounting:** vertical

accessories



- **mounting bracket:**
[KBW.0-1225](#)



- **coupling kit wall mounting:**
[KKOP.0W](#)

type	part-number	description
KAFI-014	91330.CC00	Activated carbon filter G1/4 with PC bowl
KAFI-014 M	91330.CC50	Activated carbon filter G1/4 with metal bowl

Active carbon filter | BG1



Image shows:
91331.CC00

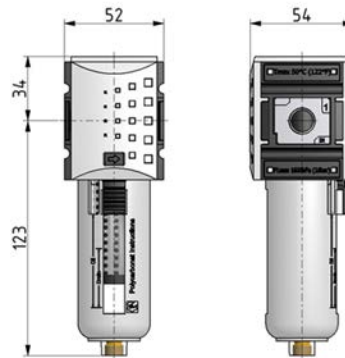
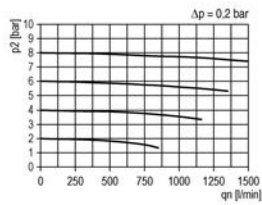
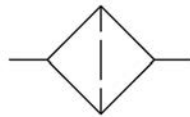


Image shows:
91331.CC00

flow characteristic



symbol



technical data

- **description:** active carbon filter
- **medium:** compressed air, neutral gases
- **supply pressure P1 min.:** 0 bar
- **supply pressure P1 max.:** 16 bar
- **temperature range:** 0 - 50°C
- **bowl:** PC with PA bowl guard
- **mounting:** vertical

accessories



- **mounting bracket:**
[KBW.1-1225](#)



- **coupling kit wall mounting:**
[KKOP.1W](#)

type	part-number	description
KAFI-114	91331.CC00	Activated carbon filter G1/4 with PC bowl and bowl guard
KAFI-114 H	91331.CC50	Activated carbon filter G1/4 with metal bowl
KAFI-138	91331.DD00	Activated carbon filter G3/8 with PC bowl and bowl guard
KAFI-138 H	91331.DD50	Activated carbon filter G3/8 with metal bowl

Service 3 unit

Service 2 unit

Filterregler

Filter

Filter regulator

Lubricator

System extensions

Accessories

Special products

Active carbon filter | BG2



Image shows:
91332.DD00

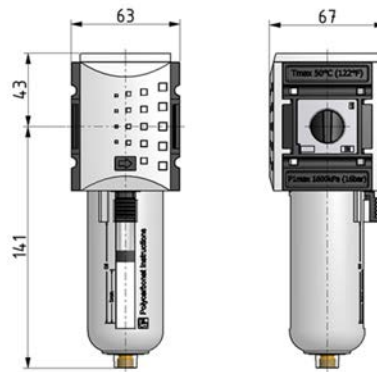
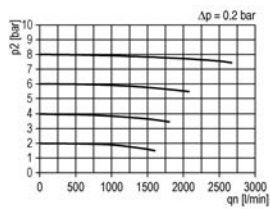
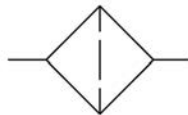


Image shows:
91332.DD00

flow characteristic



symbol



technical data

- **description:** active carbon filter
- **medium:** compressed air, neutral gases
- **supply pressure P1 min.:** 0 bar
- **supply pressure P1 max.:** 16 bar
- **temperature range:** 0 - 50°C
- **bowl:** PC with PA bowl guard
- **mounting:** vertical

accessories



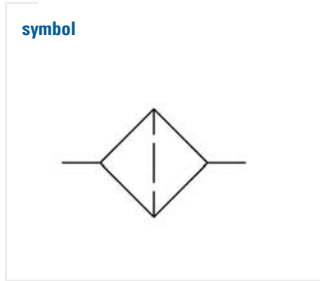
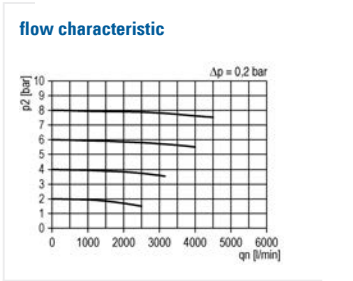
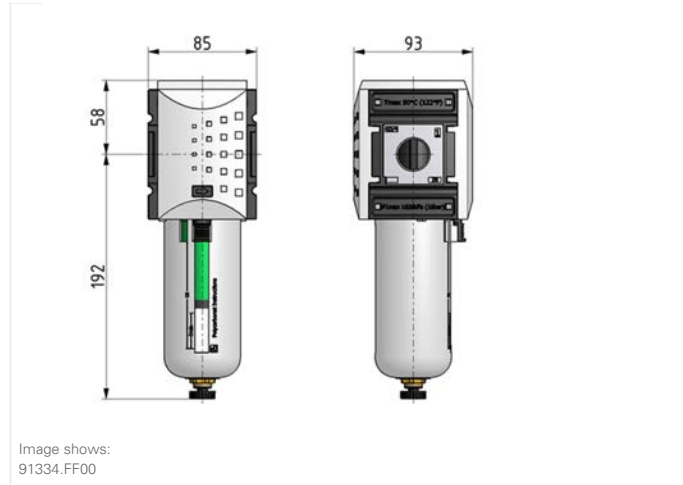
- **mounting bracket:**
[KBW.2-1225](#)



- **coupling kit wall mounting:**
[KKOP.2W](#)

type	part-number	description
KAFI-238	91332.DD00	Activated carbon filter G3/8 with PC bowl and bowl guard
KAFI-238 H	91332.DD50	Activated carbon filter G3/8 with metal bowl
KAFI-212	91332.EE00	Activated carbon filter G1/2 with PC bowl and bowl guard
KAFI-212 H	91332.EE50	Activated carbon filter G1/2 with metal bowl


Active carbon filter | BG4




technical data

- **description:** active carbon filter
- **medium:** compressed air, neutral gases
- **supply pressure P1 min.:** 0 bar
- **supply pressure P1 max.:** 16 bar
- **temperature range:** 0 - 50°C
- **bowl:** PC with PA bowl guard
- **mounting:** vertical

accessories



• **mounting bracket:**
[KBW.4-1225](#)



• **coupling kit wall mounting:**
[KKOP.4W](#)

type	part-number	description
KAFI-434	91334.FF00	Activated carbon filter G3/4 with PC bowl and bowl guard
KAFI-434 H	91334.FF50	Activated carbon filter G3/4 with metal bowl
KAFI-41	91334.GG00	Activated carbon filter G1 with PC bowl and bowl guard
KAFI-41 H	91334.GG50	Activated carbon filter G1 with metal bowl

- Service 3 unit
- Service 2 unit
- Filterregler
- Filter**
- Filter regulator
- Lubricator
- System extensions
- Accessories
- Special products

Pressure regulator | BGO



Image shows:
91700.CC00

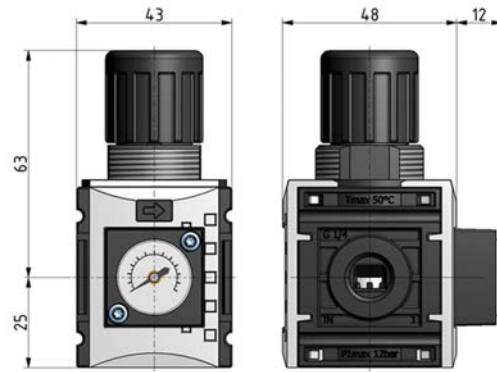
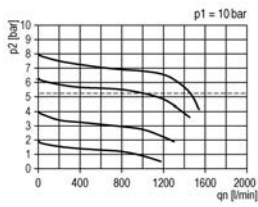
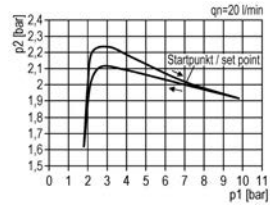


Image shows:
91700.CC00

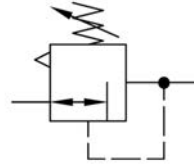
flow characteristic



pressure characteristic



symbol



technical data

- **description:** air line regulator with diaphragm and relieving feature
- **medium:** compressed air, neutral gases
- **supply pressure P1 max.:** 12 bar
- **temperature range:** 0 - 50°C

accessories



- **mounting bracket:**
[KBW.0-1225](#)



- **coupling kit wall mounting:**
[KKOP.0W](#)



- **control panel mounting:**
[KBW.0-1227](#) + C.00-34

- **adapter for pressure gauge:**
KKPS.0-54

type

KREG-014/8 G

part-number

91700.CC00

description

Pressure regulator G1/4 0,5-8 with integrated gauge

Pressure regulator | BG1



Image shows:
91701.CC00

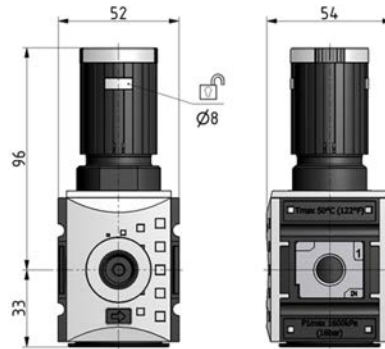
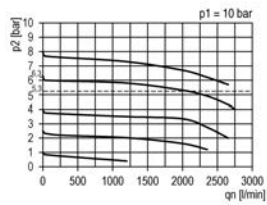
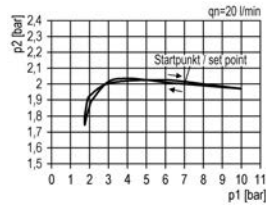


Image shows:
91701.CC00

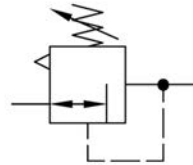
flow characteristic



pressure characteristic



symbol



technical data

- **description:** air line regulator with diaphragm and relieving feature
- **medium:** compressed air, neutral gases
- **supply pressure P1 max.:** 16 bar
- **temperature range:** 0 - 50°C
- **locking:** lockable setting knob

accessories



- **mounting bracket:**
[KBW.1-1225](#)



- **coupling kit wall mounting:**
[KKOP.1W](#)



- **control panel mounting:**
[KBW.1-1227](#) + SM.1

- **rotary lock:** VH.31 without key or VH.32 with key

type	part-number	description
KREG-114/8	91701.CC00	Pressure regulator G1/4 0,5-8
KREG-138/8	91701.DD00	Pressure regulator G3/8 0,5-8

Service 3 unit

Service 2 unit

Filterregler

Filter

Filter regulator

Lubricator

System extensions

Accessories

Special products

Pressure regulator | BG2



Image shows:
91702.DD00

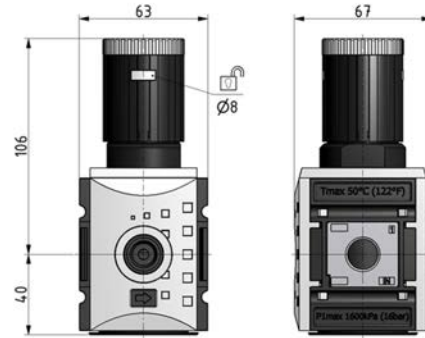
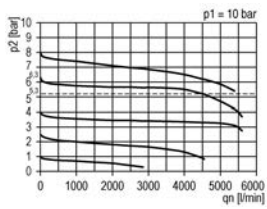
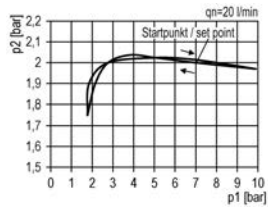


Image shows:
91702.DD00

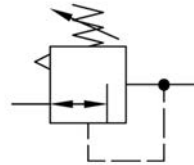
flow characteristic



pressure characteristic



symbol



technical data

- **description:** air line regulator with diaphragm and relieving feature
- **medium:** compressed air, neutral gases
- **supply pressure P1 max.:** 16 bar
- **temperature range:** 0 - 50°C
- **locking:** lockable setting knob

accessories



- **mounting bracket:**
[KBW.2-1225](#)



- **coupling kit wall mounting:**
[KKOP.2W](#)



- **control panel mounting:**
[KBW.2-1227](#) + SM.2

- **rotary lock:** VH.31 without key or VH.32 with key

type	part-number	description
KREG-238/8	91702.DD00	Pressure regulator G3/8 0,5-8
KREG-212/8	91702.EE00	Pressure regulator G1/2 0,5-8

Pressure regulator | BG4



Image shows:
91704.FF00

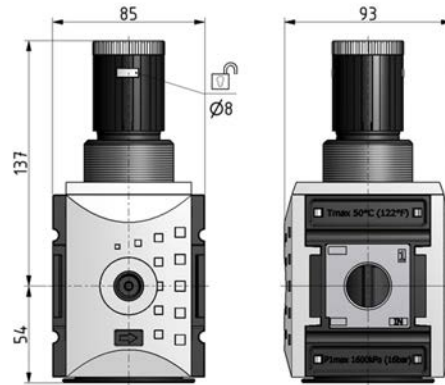
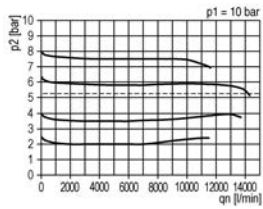
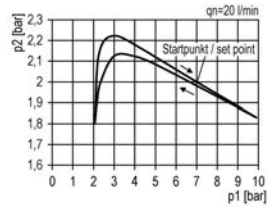


Image shows:
91704.FF00

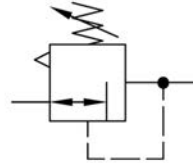
flow characteristic



pressure characteristic



symbol



technical data

- **description:** air line regulator with diaphragm and relieving feature
- **medium:** compressed air, neutral gases
- **supply pressure P1 max.:** 16 bar
- **temperature range:** 0 - 50°C
- **locking:** lockable setting knob
- **air consumption:** max. 1,5 l/min

accessories



- **mounting bracket:**
[KBW.4-1225](#)



- **coupling kit wall mounting:**
[KKOP.4W](#)

- **control panel mounting:**
control panel nut C.33-42

- **rotary lock:** VH.31 without key or VH.32 with key

type	part-number	description
KREG-434/8	91704.FF00	Pressure regulator G3/4 0,5-8
KREG-41/8	91704.GG00	Pressure regulator G1 0,5-8

Service 3 unit

Service 2 unit

Filterregler

Filter

Filter regulator

Lubricator

System extensions

Accessories

Special products

Pressure regulator with continuous pressure supply | BGO



Image shows:
91730.CC00

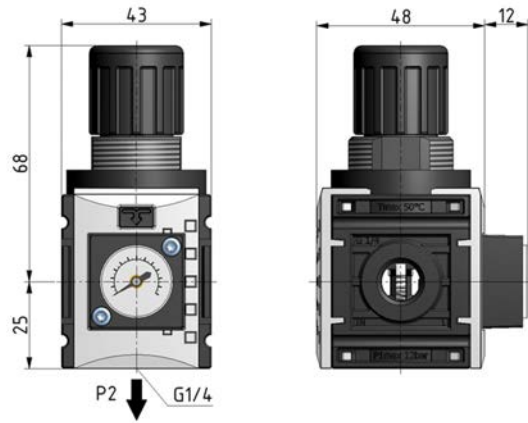
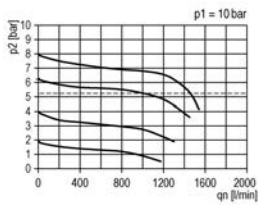
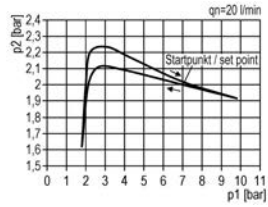


Image shows:
91730.CC00

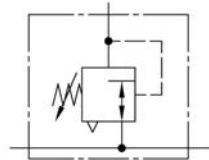
flow characteristic



pressure characteristic



symbol



technical data

- **description:** air line regulator with diaphragm and relieving feature
- **medium:** compressed air, neutral gases
- **supply pressure P1 max.:** 12 bar
- **temperature range:** 0 - 50°C

accessories



- **mounting bracket:**
[KBW.0-1225](#)



- **coupling kit wall mounting:**
[KKOP.0W](#)



- **control panel mounting:**
[KBW.0-1227](#) + C.00-34

- **adapter for pressure gauge:**
KKPS.0-54

type

KRBE-014/8 G

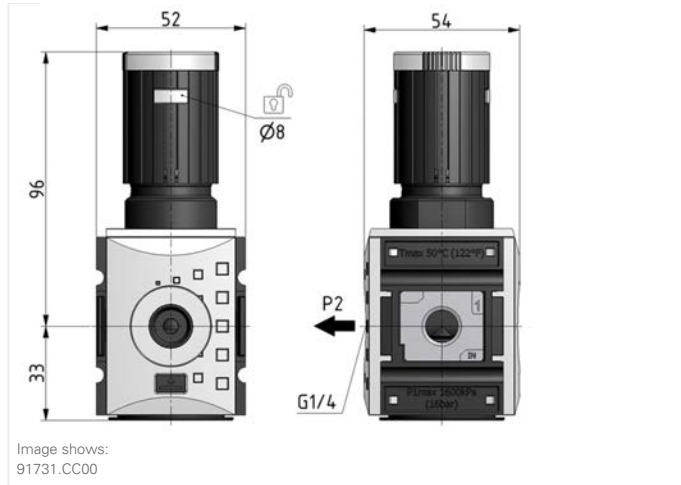
part-number

91730.CC00

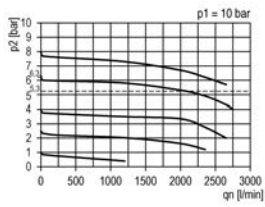
description

Pressure regulator with continuous pressure supply G1/4 0,5-8 and integrated gauge

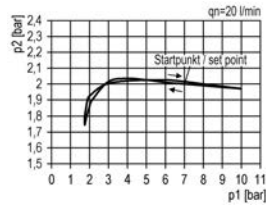
Pressure regulator with continuous pressure supply | BG1



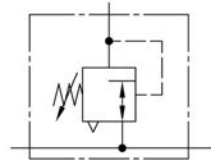
flow characteristic



pressure characteristic



symbol



technical data

- **description:** air line regulator with diaphragm and relieving feature
- **medium:** compressed air, neutral gases
- **supply pressure P1 max.:** 16 bar
- **temperature range:** 0 - 50°C
- **locking:** lockable setting knob

accessories

- **mounting bracket:** [KBW.1-1225](#)
- **coupling kit wall mounting:** [KKOP.1W](#)
- **control panel mounting:** [KBW.1-1227](#) + SM.1
- **rotary lock:** VH.31 without key or VH.32 with key

type	part-number	description
KRBE-114/8	91731.CC00	Pressure regulator with continuous pressure supply G1/4 0,5-8
KRBE-138/8	91731.DD00	Pressure regulator with continuous pressure supply G3/8 0,5-8

Service 3 unit

Service 2 unit

Filterregler

Filter

Filter regulator

Lubricator

System extensions

Accessories

Special products

Pressure regulator with continuous pressure supply | BG2



Image shows:
91732.DD00

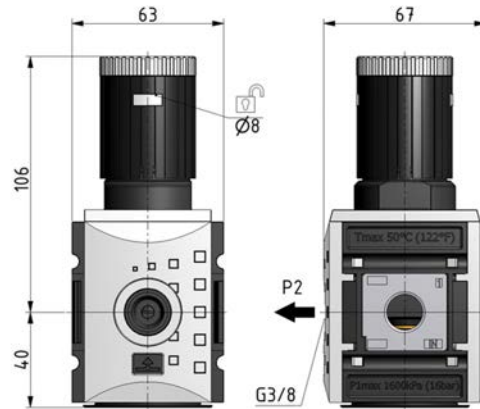
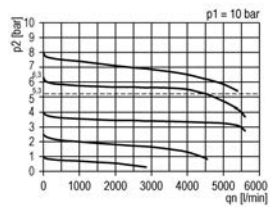
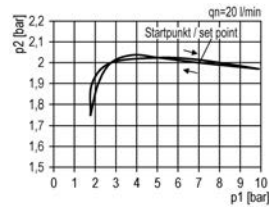


Image shows:
91732.DD00

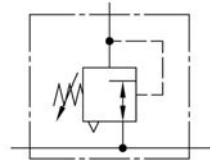
flow characteristic



pressure characteristic



symbol



technical data

- **description:** air line regulator with diaphragm and relieving feature
- **medium:** compressed air, neutral gases
- **supply pressure P1 max.:** 16 bar
- **temperature range:** 0 - 50°C
- **locking:** lockable setting knob

accessories



- **mounting bracket:**
[KBW.2-1225](#)



- **coupling kit wall mounting:**
[KKOP.2W](#)



- **control panel mounting:**
[KBW.2-1227](#) + SM.2

- **rotary lock:** VH.31 without key or VH.32 with key

type	part-number	description
KRBE-238/8	91732.DD00	Pressure regulator with continuous pressure supply G3/8 0,5-8
KRBE-212/8	91732.EE00	Pressure regulator with continuous pressure supply G1/2 0,5-8

Precision regulator | BG1



Image shows:
96201.CC20

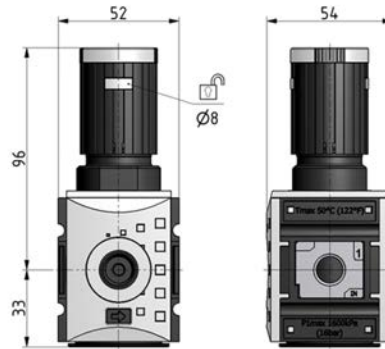
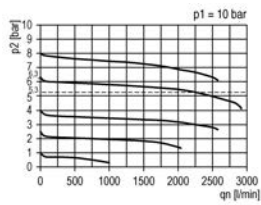
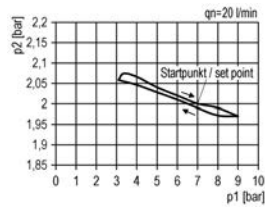


Image shows:
96201.CC20

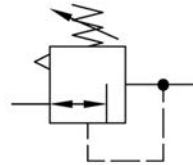
flow characteristic



pressure characteristic



symbol



technical data

- **description:** air line regulator with diaphragm and relieving feature
- **medium:** compressed air, neutral gases
- **supply pressure P1 max.:** 16 bar
- **temperature range:** 0 - 50°C
- **locking:** lockable setting knob
- **air consumption:** 2,6 l/min at P2 = 6 bar

accessories



- **mounting bracket:**
[KBW.1-1225](#)



- **coupling kit wall mounting:**
[KKOP.1W](#)



- **control panel mounting:**
[KBW.1-1227](#) + SM.1

- **rotary lock:** VH.31 without key or VH.32 with key

type	part-number	description
KPRG-114/8	96201.CC20	Precision regulator G1/4 0,5-8
KPRG-138/8	96201.DD20	Precision regulator G3/8 0,5-8

Service 3 unit

Service 2 unit

Filterregler

Filter

Filter regulator

Lubricator

System extensions

Accessories

Special products

Precision regulator | BG2



Image shows:
96202.DD20

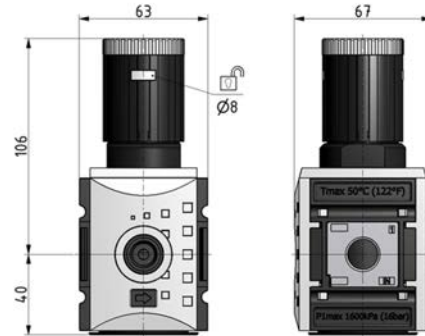
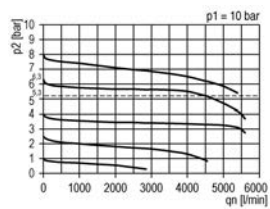
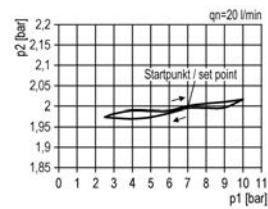


Image shows:
96202.DD20

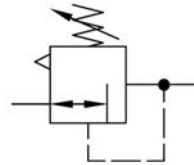
flow characteristic



pressure characteristic



symbol



technical data

- **description:** air line regulator with diaphragm and relieving feature
- **medium:** compressed air, neutral gases
- **supply pressure P1 max.:** 16 bar
- **temperature range:** 0 - 50°C
- **locking:** lockable setting knob
- **air consumption:** 2,6 l/min at P2 = 6 bar

accessories



- **mounting bracket:**
[KBW.2-1225](#)



- **coupling kit wall mounting:**
[KKOP.2W](#)



- **control panel mounting:**
[KBW.2-1227](#) + SM.2

- **rotary lock:** VH.31 without key or VH.32 with key

type	part-number	description
KPRG-238/8	96202.DD20	Precision regulator G3/8 0,5-8
KPRG-212/8	96202.EE20	Precision regulator G1/2 0,5-8

Precision regulator with continuous pressure supply | BG1



Image shows:
96231.CC20

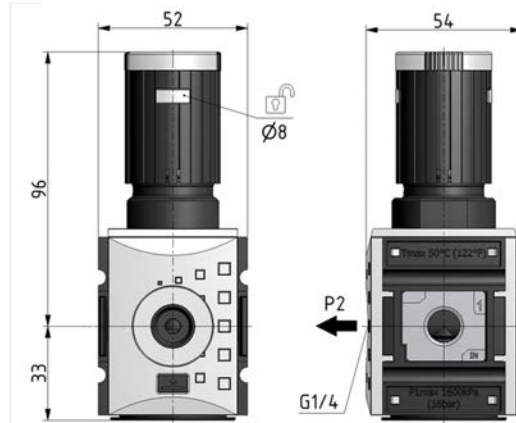
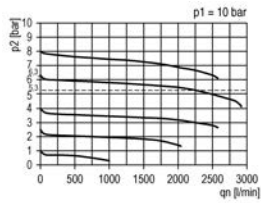
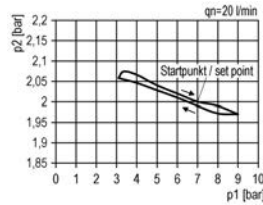


Image shows:
96231.CC20

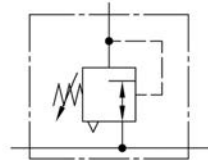
flow characteristic



pressure characteristic



symbol



technical data

- **description:** air line regulator with diaphragm and relieving feature
- **medium:** compressed air, neutral gases
- **supply pressure P1 max.:** 16 bar
- **temperature range:** 0 - 50°C
- **locking:** lockable setting knob
- **air consumption:** 2,6 l/min at P2 = 6 bar

accessories



- **mounting bracket:**
[KBW.1-1225](#)



- **coupling kit wall mounting:**
[KKOP.1W](#)



- **control panel mounting:**
[KBW.1-1227](#) + SM.1

- **rotary lock:** VH.31 without key or VH.32 with key

type	part-number	description
KPRB-114/8	96231.CC20	Precision regulator with continuous pressure supply G1/4 0,5-8
KPRB-138/8	96231.DD20	Precision regulator with continuous pressure supply G3/8 0,5-8

Service 3 unit

Service 2 unit

Filterregler

Filter

Filter regulator

Lubricator

System extensions

Accessories

Special products

Precision regulator with continuous pressure supply | BG2



Image shows:
96232.DD20

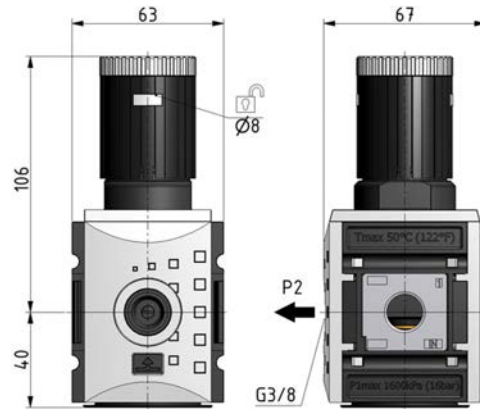
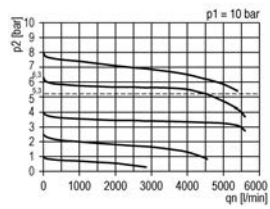
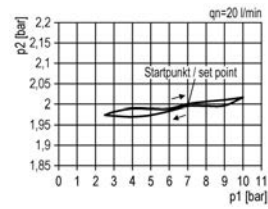


Image shows:
96232.DD20

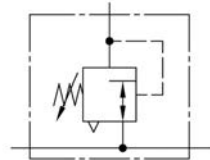
flow characteristic



pressure characteristic



symbol



technical data

- **description:** air line regulator with diaphragm and relieving feature
- **medium:** compressed air, neutral gases
- **supply pressure P1 max.:** 16 bar
- **temperature range:** 0 - 50°C
- **locking:** lockable setting knob
- **air consumption:** 2,6 l/min at P2 = 6 bar

accessories



- **mounting bracket:**
[KBW.2-1225](#)



- **coupling kit wall mounting:**
[KKOP.2W](#)



- **control panel mounting:**
[KBW.2-1227](#) + SM.2

- **rotary lock:** VH.31 without key or VH.32 with key

type	part-number	description
KPRB-238/8	96232.DD20	Precision regulator with continuous pressure supply G3/8 0,5-8
KPRB-212/8	96232.EE20	Precision regulator with continuous pressure supply G1/2 0,5-8

Micro lubricator | BGO



Image shows:
92500.CC00

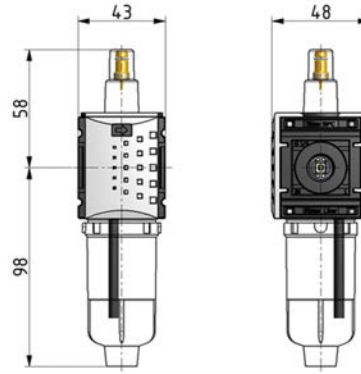
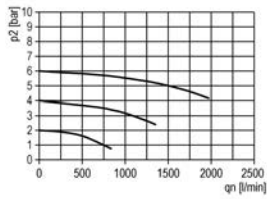
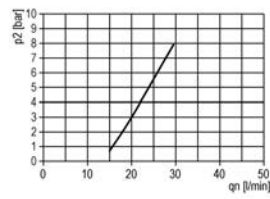


Image shows:
92500.CC00

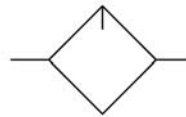
flow characteristic



lubricator operating limit



symbol



technical data

- **description:** micro lubricator
- **medium:** compressed air, neutral gases
- **supply pressure P1 max.:** 12 bar
- **temperature range:** 0 - 50°C
- **bowl:** PC
- **mounting:** vertical
- **bowl volume lubricator:** 35 cm³
- **oil type:** CL 32 DIN 51517 - ISO VG 32
- **dome assembly:** PC
- **oil fill in:** cannot be filled with oil during operation

accessories



- **mounting bracket:**
[KBW.0-1225](#)



- **coupling kit wall mounting:**
[KKOP.0W](#)

type	part-number	description
KLUB-014	92500.CC00	Micro lubricator G1/4 with PC bowl
KLUB-014 M	92500.CC50	Micro lubricator G1/4 with metal bowl

Service 3 unit

Service 2 unit

Filterregler

Filter

Filter regulator

Lubricator

System extensions

Accessories

Special products

Lubricator | BG1



Image shows:
92501.CC00

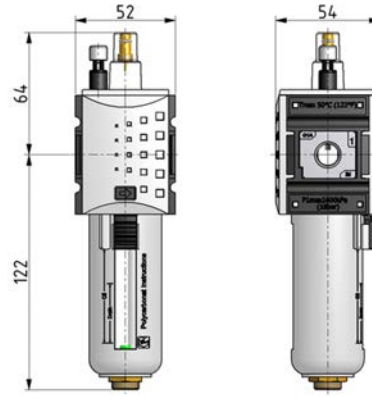
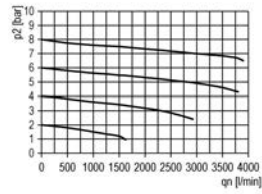
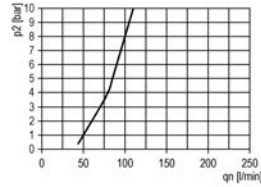


Image shows:
92501.CC00

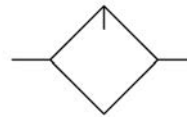
flow characteristic



lubricator operating limit



symbol



technical data

- **description:** lubricator with automatic oil filling
- **medium:** compressed air, neutral gases
- **supply pressure P1 max.:** 16 bar
- **temperature range:** 0 - 50°C
- **bowl:** PC with PA bowl guard
- **mounting:** vertical
- **bowl volume lubricator:** 40 cm³
- **oil type:** CL 32 DIN 51517 - ISO VG 32
- **dome assembly:** PC
- **oil fill in:** can be oilpulling during operation

accessories



- **mounting bracket:**
[KBW.1-1225](#)



- **coupling kit wall mounting:**
[KKOP.1W](#)

- **electrical level indicator**
(version addition: N)

type	part-number	description
KLUB-114	92501.CC00	Lubricator G1/4 with automatic oil filling, PC bowl and bowl guard
KLUB-114 H	92501.CC50	Lubricator G1/4 with automatic oil filling and metal bowl
KLUB-138	92501.DD00	Lubricator G3/8 with automatic oil filling, PC bowl and bowl guard
KLUB-138 H	92501.DD50	Lubricator G3/8 with automatic oil filling and metal bowl

Lubricator | BG2



Image shows:
92502.DD00

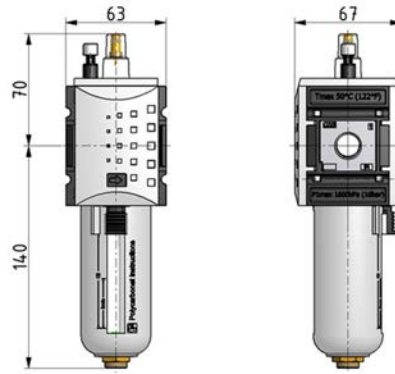
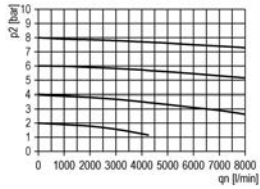
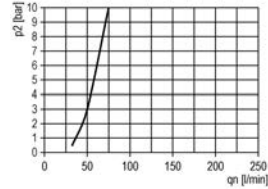


Image shows:
92502.DD00

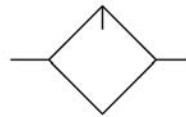
flow characteristic



lubricator operating limit



symbol



technical data

- **description:** lubricator with automatic oil filling
- **medium:** compressed air, neutral gases
- **supply pressure P1 max.:** 16 bar
- **temperature range:** 0 - 50°C
- **bowl:** PC with PA bowl guard
- **mounting:** vertical
- **bowl volume lubricator:** 80 cm³
- **oil type:** CL 32 DIN 51517 - ISO VG 32
- **dome assembly:** PC
- **oil fill in:** can be oilpulling during operation

accessories



- mounting bracket:
[KBW.2-1225](#)



- coupling kit wall mounting:
[KKOP.2W](#)

- electrical level indicator (version addition: N)

type	part-number	description
KLUB-238	92502.DD00	Lubricator G3/8 with automatic oil filling, PC bowl and bowl guard
KLUB-238 H	92502.DD50	Lubricator G3/8 with automatic oil filling and metal bowl
KLUB-212	92502.EE00	Lubricator G1/2 with automatic oil filling, PC bowl and bowl guard
KLUB-212 H	92502.EE50	Lubricator G1/2 with automatic oil filling and metal bowl

Service 3 unit

Service 2 unit

Filterregler

Filter

Filter regulator

Lubricator

System extensions

Accessories

Special products

Lubricator | BG4



Image shows:
92504.FF00

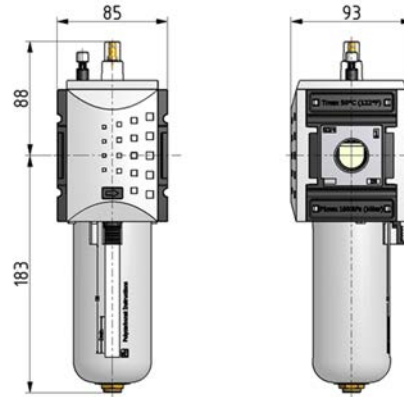
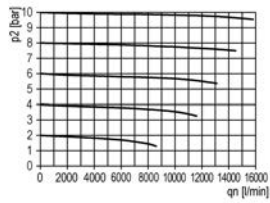
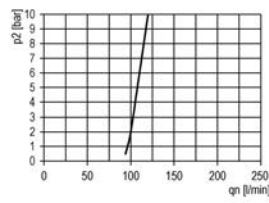


Image shows:
92504.FF00

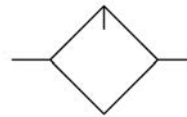
flow characteristic



lubricator operating limit



symbol



technical data

- **description:** lubricator with automatic oil filling
- **medium:** compressed air, neutral gases
- **supply pressure P1 max.:** 16 bar
- **temperature range:** 0 - 50°C
- **bowl:** PC with PA bowl guard
- **mounting:** vertical
- **bowl volume lubricator:** 181 cm³
- **oil type:** CL 32 DIN 51517 - ISO VG 32
- **dome assembly:** PC
- **oil fill in:** can be oilpulling during operation

accessories



- mounting bracket:
[KBW.4-1225](#)



- coupling kit wall mounting:
[KKOP.4W](#)

- electrical level indicator
(version addition: N)

type	part-number	description
KLUB-434	92504.FF00	Lubricator G3/4 with automatic oil filling, PC bowl and bowl guard
KLUB-434 H	92504.FF50	Lubricator G3/4 with automatic oil filling and metal bowl
KLUB-41	92504.GG00	Lubricator G1 with automatic oil filling, PC bowl and bowl guard
KLUB-41 H	92504.GG50	Lubricator G1 with automatic oil filling and metal bowl

3/2 directional control valve | BGO



Image shows:
94010.CC02

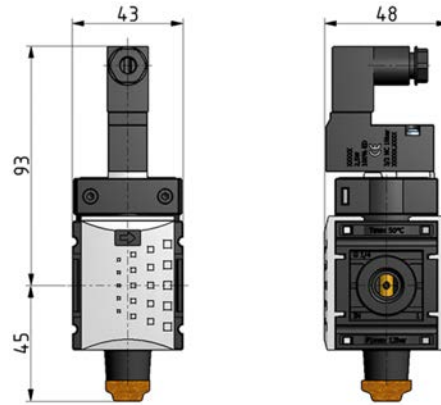
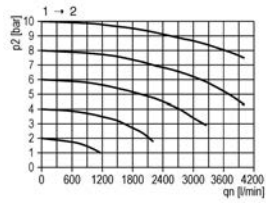
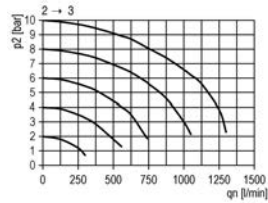


Image shows:
94010.CC02

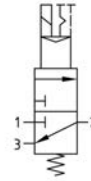
flow characteristic



rear exhaust



symbol



technical data

- **description:** 3/2 poppet valve
- **medium:** compressed air, neutral gases
- **supply pressure P1 min.:** 2 bar
- **supply pressure P1 max.:** 10 bar
- **temperature range:** 0 - 50°C
- **input signal:** 24V=
- **exhaust:** G 1/4
- **relative switch on duration:** 100%
- **capacity:** 2,5 W
- **protection class:** IP 65 according to DIN 40050
- **electrical connection:** socket coupling EN 175301-803, form C / ISO 15217 poles 2+PE (included in scope of delivery)

accessories



- **mounting bracket:**
[KBW.0-1225](#)



- **coupling kit wall mounting:**
[KKOP.0W](#)

type	part-number	description
KSOV-014/24	94010.CC02	3/2 Directional control valve G1/4 electric operated 24V=
KSOV-014/115	94010.CC03	3/2 Directional control valve G1/4 electric operated 115V/50Hz
KSOV-014/230	94010.CC04	3/2 Directional control valve G1/4 electric operated 230V/50Hz
KSOV-014/C	94010.CC05	3/2 Directional control valve G1/4 with CNOMO adapter
KSOV-014/24	94010.CC06	3/2 Directional control valve G1/4 electric operated 24V/50Hz
KSOV-014 I	94010.CC10	3/2 Directional control valve G1/4 pneumatic operated

Service 3 unit

Service 2 unit

Filterregler

Filter

Filter regulator

Lubricator

System extensions

Accessories

Special products

3/2 directional control valve | BG1



Image shows:
94011.CC02

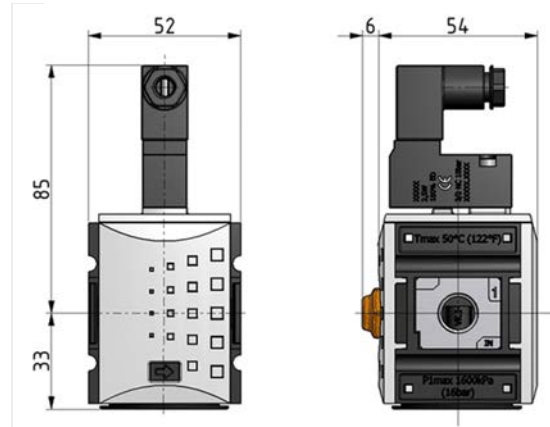
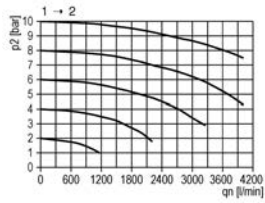
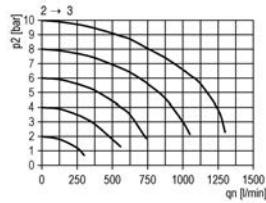


Image shows:
94011.CC02

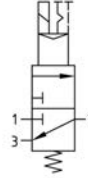
flow characteristic



rear exhaust



symbol



technical data

- **description:** 3/2 poppet valve
- **medium:** compressed air, neutral gases
- **supply pressure P1 min.:** 2 bar
- **supply pressure P1 max.:** 10 bar
- **temperature range:** 0 - 50°C
- **input signal:** 24V=
- **exhaust:** G 1/4
- **relative switch on duration:** 100%
- **capacity:** 2,5 W
- **protection class:** IP 65 according to DIN 40050
- **electrical connection:** socket coupling EN 175301-803, form C / ISO 15217 poles 2+PE (included in scope of delivery)

accessories



- **mounting bracket:**
[KBW.1-1225](#)



- **coupling kit wall mounting:**
[KKOP.1W](#)

Service 3 unit

Service 2 unit

Filterregler

Filter

Filter regulator

Lubricator

System extensions

Accessories

Special products

type	part-number	description
KSOV-114/24	94011.CC02	3/2 Directional control valve G1/4 electric operated 24V=
KSOV-114/115	94011.CC03	3/2 Directional control valve G1/4 electric operated 115V/50Hz
KSOV-114/230	94011.CC04	3/2 Directional control valve G1/4 electric operated 230V/50Hz
KSOV-114/C	94011.CC05	3/2 Directional control valve G3/8 with CNOMO adapter
KSOV-114/24	94011.CC06	3/2 Directional control valve G1/4 electric operated 24V/50Hz
KSOV-114 I	94011.CC10	3/2 Directional control valve G1/4 pneumatic operated
KSOV-138/24	94011.DD02	3/2 Directional control valve G3/8 electric operated 24V=
KSOV-138/115	94011.DD03	3/2 Directional control valve G3/8 electric operated 115V/50Hz
KSOV-138/230	94011.DD04	3/2 Directional control valve G3/8 electric operated 230V/50Hz
KSOV-138/C	94011.DD05	3/2 Directional control valve G3/8 with CNOMO adapter
KSOV-138/24	94011.DD06	3/2 Directional control valve G3/8 electric operated 24V/50Hz
KSOV-138 I	94011.DD10	3/2 Directional control valve G3/8 pneumatic operated

Service 3 unit

Service 2 unit

Filterregler

Filter

Filter regulator

Lubricator

System extensions

Accessories

Special products

3/2 directional control valve | BG2



Image shows:
94012.DD02

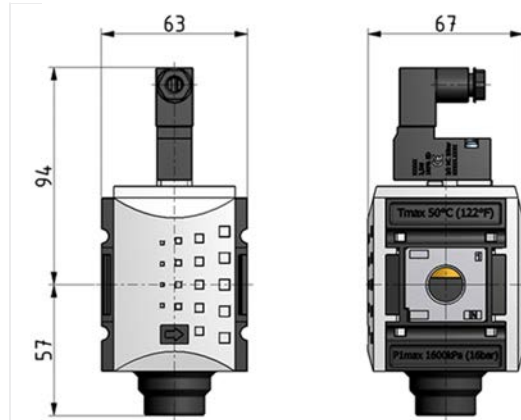
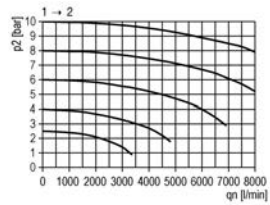
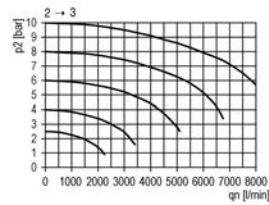


Image shows:
94012.DD02

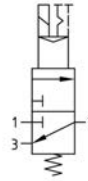
flow characteristic



rear exhaust



symbol



technical data

- **description:** 3/2 poppet valve
- **medium:** compressed air, neutral gases
- **supply pressure P1 min.:** 2 bar
- **supply pressure P1 max.:** 10 bar
- **temperature range:** 0 - 50°C
- **input signal:** 24V=
- **exhaust:** G 1/2
- **relative switch on duration:** 100%
- **capacity:** 2,5 W
- **protection class:** IP 65 according to DIN 40050
- **electrical connection:** socket coupling EN 175301-803, form C / ISO 15217 poles 2+PE (included in scope of delivery)

accessories



- **mounting bracket:**
[KBW.2-1225](#)



- **coupling kit wall mounting:**
[KKOP.2W](#)

Service 3 unit

Service 2 unit

Filterregler

Filter

Filter regulator

Lubricator

System extensions

Accessories

Special products

type	part-number	description
KSOV-238/24	94012.DD02	3/2 Directional control valve G3/8 electric operated 24V=
KSOV-238/115	94012.DD03	3/2 Directional control valve G3/8 electric operated 115V/50Hz
KSOV-238/230	94012.DD04	3/2 Directional control valve G3/8 electric operated 230V/50Hz
KSOV-238/C	94012.DD05	3/2 Directional control valve G3/8 with CNOMO adapter
KSOV-238/24	94012.DD06	3/2 Directional control valve G3/8 electric operated 24V/50Hz
KSOV-238 I	94012.DD10	3/2 Directional control valve G3/8 pneumatic operated
KSOV-212/24	94012.EE02	3/2 Directional control valve G1/2 electric operated 24V=
KSOV-212/115	94012.EE03	3/2 Directional control valve G1/2 electric operated 115V/50Hz
KSOV-212/230	94012.EE04	3/2 Directional control valve G1/2 electric operated 230V/50Hz
KSOV-212/C	94012.EE05	3/2 Directional control valve G1/2 with CNOMO adapter
KSOV-212/24	94012.EE06	3/2 Directional control valve G1/2 electric operated 24V/50Hz
KSOV-212 I	94012.EE10	3/2 Directional control valve G1/2 pneumatic operated

Service 3 unit

Service 2 unit

Filterregler

Filter

Filter regulator

Lubricator

System extensions

Accessories

Special products

3/2 directional control valve | BG4



Image shows:
94014.FF02

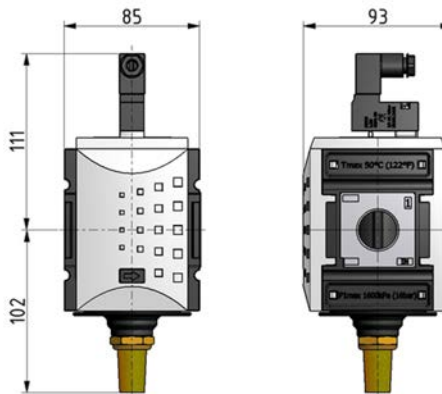
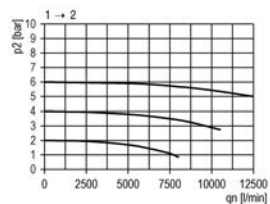
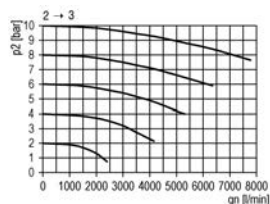


Image shows:
94014.FF02

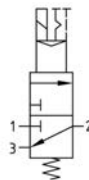
flow characteristic



rear exhaust



symbol



technical data

- **description:** 3/2 poppet valve
- **medium:** compressed air, neutral gases
- **supply pressure P1 min.:** 2 bar
- **supply pressure P1 max.:** 10 bar
- **temperature range:** 0 - 50°C
- **input signal:** 24V=
- **exhaust:** G 1/2
- **relative switch on duration:** 100%
- **capacity:** 2,5 W
- **protection class:** IP 65 according to DIN 40050
- **electrical connection:** socket coupling EN 175301-803, form C / ISO 15217 poles 2+PE (included in scope of delivery)

accessories



- **mounting bracket:**
[KBW.4-1225](#)



- **coupling kit wall mounting:**
[KKOP.4W](#)

Service 3 unit

Service 2 unit

Filterregler

Filter

Filter regulator

Lubricator

System extensions

Accessories

Special products

type	part-number	description
KSOV-434/24	94014.FF02	3/2 Directional control valve G3/4 electric operated 24V=
KSOV-434/115	94014.FF03	3/2 Directional control valve G3/4 electric operated 115V/50Hz
KSOV-434/230	94014.FF04	3/2 Directional control valve G3/4 electric operated 230V/50Hz
KSOV-434/C	94014.FF05	3/2 Directional control valve G3/4 with CNOMO adapter
KSOV-434/24	94014.FF06	3/2 Directional control valve G3/4 electric operated 24V/50Hz
KSOV-434 I	94014.FF10	3/2 Directional control valve G3/4 pneumatic operated
KSOV-41/24	94014.GG02	3/2 Directional control valve G1 electric operated 24V=
KSOV-41/115	94014.GG03	3/2 Directional control valve G1 electric operated 115V/50Hz
KSOV-41/230	94014.GG04	3/2 Directional control valve G1 electric operated 230V/50Hz
KSOV-41/C	94014.GG05	3/2 Directional control valve G1 with CNOMO adapter
KSOV-41/24	94014.GG06	3/2 Directional control valve G1 electric operated 24V/50Hz
KSOV-41 I	94014.GG10	3/2 Directional control valve G1 pneumatic operated

Service 3 unit

Service 2 unit

Filterregler

Filter

Filter regulator

Lubricator

System extensions

Accessories

Special products

Soft start valve | BGO



Image shows:
94020.CC00

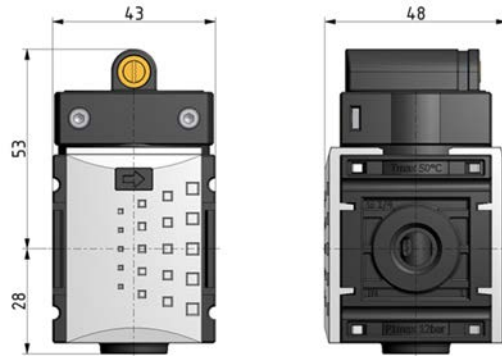
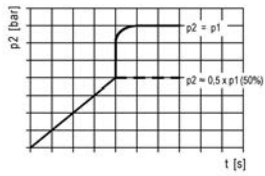
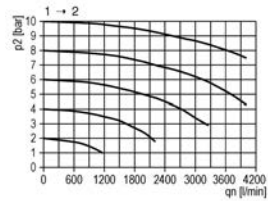


Image shows:
94020.CC00

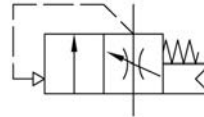
filling characteristic



flow characteristic



symbol



technical data

- **description:** poppet valve, operated by secondary pressure
- **medium:** compressed air, neutral gases
- **supply pressure P1 min.:** 2,5 bar
- **supply pressure P1 max.:** 12 bar
- **temperature range:** 0 - 50°C
- **switching pressure:** 50% P1 (only for closed systems)

accessories



- **mounting bracket:**
[KBW.0-1225](#)



- **coupling kit wall mounting:**
[KKOP.0W](#)

type	part-number	description
KSSV-014	94020.CC00	Soft start valve G1/4

Soft start valve | BG1



Image shows:
94021.CC00

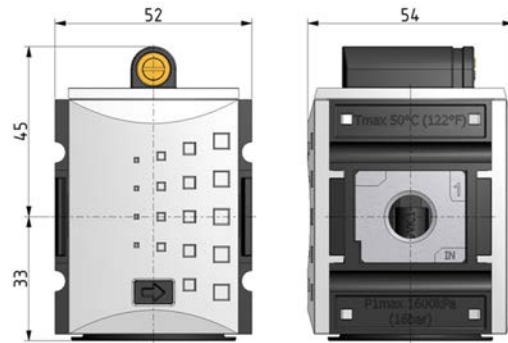
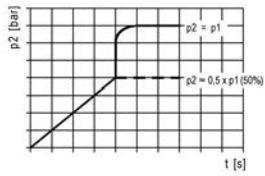
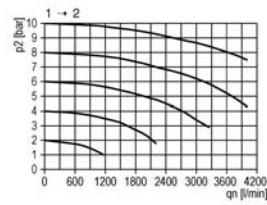


Image shows:
94021.CC00

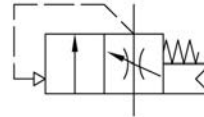
filling characteristic



flow characteristic



symbol



technical data

- **description:** poppet valve, operated by secondary pressure
- **medium:** compressed air, neutral gases
- **supply pressure P1 min.:** 2,5 bar
- **supply pressure P1 max.:** 16 bar
- **temperature range:** 0 - 50°C
- **switching pressure:** 50% P1 (only for closed systems)

accessories



- **mounting bracket:**
[KBW 1-1225](#)



- **coupling kit wall mounting:**
[KKOP 1W](#)

type	part-number	description
KSSV-114	94021.CC00	Soft start valve G1/4
KSSV-138	94021.DD00	Soft start valve G3/8

Service 3 unit

Service 2 unit

Filterregler

Filter

Filter regulator

Lubricator

System extensions

Accessories

Special products

Soft start valve | BG2

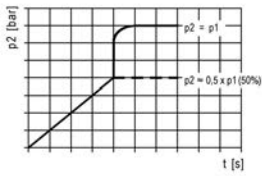


Image shows:
94022.DD00

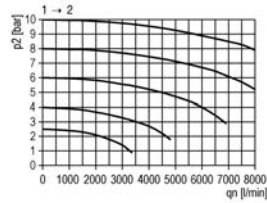


Image shows:
94022.DD00

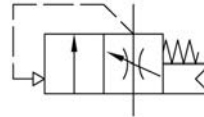
filling characteristic



flow characteristic



symbol



technical data

- **description:** poppet valve, operated by secondary pressure
- **medium:** compressed air, neutral gases
- **supply pressure P1 min.:** 2,5 bar
- **supply pressure P1 max.:** 16 bar
- **temperature range:** 0 - 50°C
- **switching pressure:** 50% P1 (only for closed systems)

accessories



- **mounting bracket:**
[KBW.2-1225](#)



- **coupling kit wall mounting:**
[KKOP.2W](#)

type	part-number	description
KSSV-238	94022.DD00	Soft start valve G3/8
KSSV-212	94022.EE00	Soft start valve G1/2

Soft start valve | BG4



Image shows:
94024.FF00

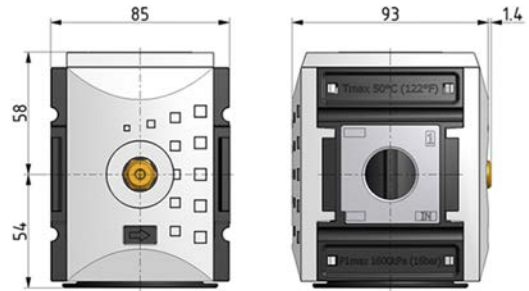
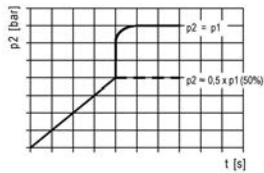
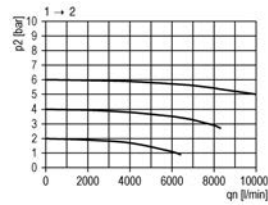


Image shows:
94024.FF00

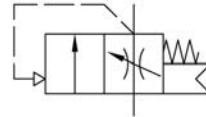
filling characteristic



flow characteristic



symbol



technical data

- **description:** poppet valve, operated by secondary pressure
- **medium:** compressed air, neutral gases
- **supply pressure P1 min.:** 2,5 bar
- **supply pressure P1 max.:** 16 bar
- **temperature range:** 0 - 50°C
- **switching pressure:** 50% P1 (only for closed systems)

accessories



- **mounting bracket:**
[KBW.4-1225](#)



- **coupling kit wall mounting:**
[KKOP.4W](#)

type	part-number	description
KSSV-434	94024.FF00	Soft start valve G3/4
KSSV-41	94024.GG00	Soft start valve G1

Service 3 unit

Service 2 unit

Filterregler

Filter

Filter regulator

Lubricator

System extensions

Accessories

Special products

Ball valve | BGO

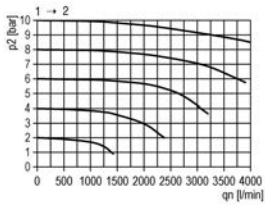


Image shows:
94000.CC00

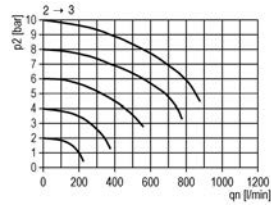


Image shows:
94000.CC00

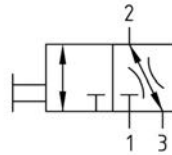
flow characteristic



rear exhaust



symbol



technical data

- **description:** 3/2 directional control valve, operated by a knob, 3-fold lockable with a padlock, shackle ø 8mm
- **medium:** compressed air, neutral gases
- **supply pressure P1 max.:** 12 bar
- **temperature range:** 0 - 50°C
- **locking:** lockable with padlock (setting knob can be locked by pressing downwards)
- **exhaust:** G 1/4
- **operating:** knob can be turned 90°
- **exhaust (2 => 3):** Qn = 380 l/min (at P1 = 6 bar, Δp = 1 bar)

accessories



- **mounting bracket:**
[KBW.0-1225](#)



- **coupling kit wall mounting:**
[KKOP.0W](#)

type	part-number	description
KBAV-014	94000.CC00	Ball valve G1/4

Ball valve | BG1



Image shows:
94001.CC00

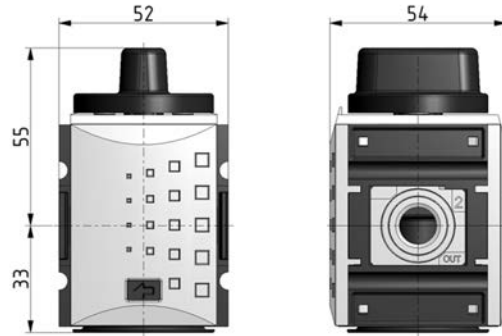
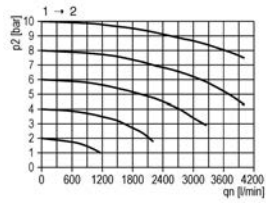
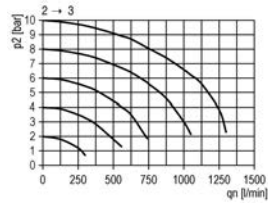


Image shows:
94001.CC00

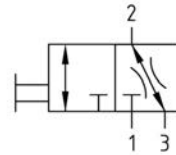
flow characteristic



rear exhaust



symbol



technical data

- **description:** 3/2 directional control valve, operated by a knob, 3-fold lockable with a padlock, shackle \varnothing 8mm
- **medium:** compressed air, neutral gases
- **supply pressure P1 max.:** 16 bar
- **temperature range:** 0 - 50°C
- **locking:** lockable with padlock
- **exhaust:** G 1/4
- **operating:** knob can be turned 90°
- **exhaust (2 => 3):** $Q_n = 400$ l/min (at $P_1 = 6$ bar, $\square p = 1$ bar)

accessories



- mounting bracket:
[KBW.1-1225](#)



- coupling kit wall mounting:
[KKOP.1W](#)

type	part-number	description
KBAV-114	94001.CC00	Ball valve G1/4
KBAV-138	94001.DD00	Ball valve G3/8

Service 3 unit

Service 2 unit

Filterregler

Filter

Filter regulator

Lubricator

System extensions

Accessories

Special products

Ball valve | BG2



Image shows:
94002.DD00

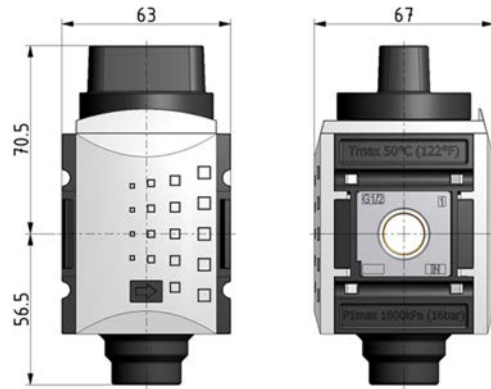
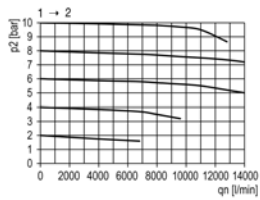
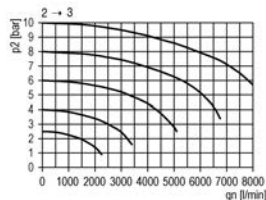


Image shows:
94002.DD00

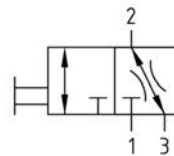
flow characteristic



rear exhaust



symbol



technical data

- **description:** 3/2 directional control valve, operated by a knob, 3-fold lockable with a padlock, shackle ø 8mm
- **medium:** compressed air, neutral gases
- **supply pressure P1 max.:** 16 bar
- **temperature range:** 0 - 50°C
- **locking:** lockable with padlock
- **exhaust:** G 1/2
- **operating:** knob can be turned 90°

accessories



- mounting bracket:
[KBW.2-1225](#)



- coupling kit wall mounting:
[KKOP.2W](#)

type	part-number	description
KBAM-238	94002.DD00	Ball valve G3/8
KBAM-212	94002.EE00	Ball valve G1/2

Ball valve | BG4



Image shows:
94004.FF00

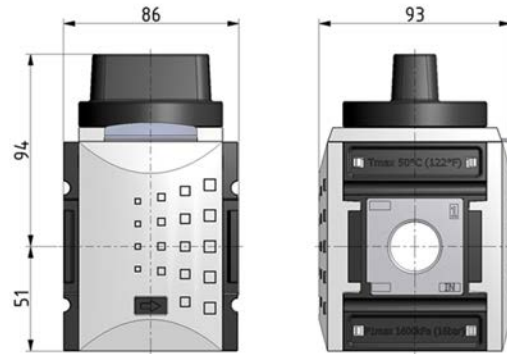
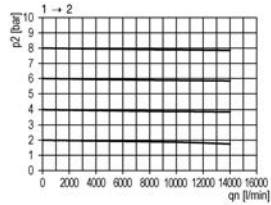
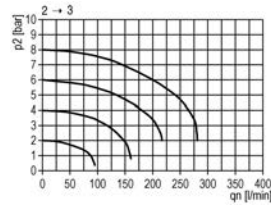


Image shows:
94004.FF00

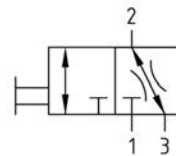
flow characteristic



rear exhaust



symbol



technical data

- **description:** 3/2 directional control valve, operated by a knob, 3-fold lockable with a padlock, shackle \varnothing 8mm
- **medium:** compressed air, neutral gases
- **supply pressure P1 max.:** 16 bar
- **temperature range:** 0 - 50°C
- **locking:** lockable with padlock
- **exhaust:** G 3/4
- **operating:** knob can be turned 90°

accessories



- mounting bracket:
[KBW.4-1225](#)



- coupling kit wall mounting:
[KKOP.4W](#)

type	part-number	description
KBAM-434	94004.FF00	Ball valve G3/4
KBAM-41	94004.GG00	Ball valve G1

Service 3 unit

Service 2 unit

Filterregler

Filter

Filter regulator

Lubricator

System extensions

Accessories

Special products

Distributor | BGO



Image shows:
94040.CC00

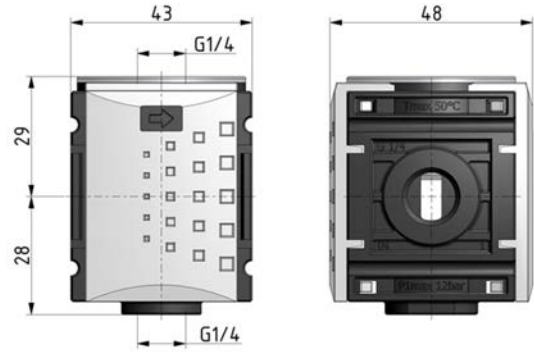
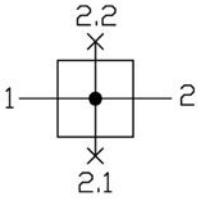


Image shows:
94040.CC00

symbol



technical data

- **description:** distribution manifold block
- **medium:** compressed air, neutral gases
- **supply pressure P1 max.:** 12 bar
- **temperature range:** 0 - 50°C
- **flow rate 1 => 2:** 2700 l/min
- **flow rate below 1 => 2.1:** Qn = 950 l/min (at P1 = 6 bar, Δp = 1 bar)
- **flow rate top 1 => 2.2:** Qn = 2000 l/min (at P1 = 6 bar, Δp = 1 bar)

accessories



- mounting bracket:
[KBW.0-1225](#)



- coupling kit wall mounting:
[KKOP.0W](#)



- Druckschalter: [PE.10](#)

type	part-number	description
KDIS-014	94040.CC00	Distributor G1/4

Distributor | BG1



Image shows:
94041.CC00

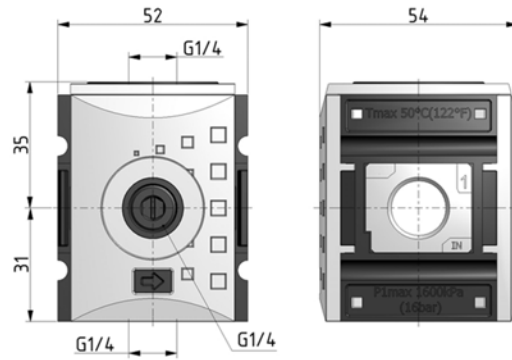
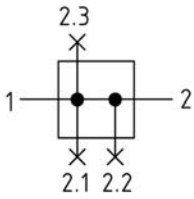


Image shows:
94041.CC00

symbol



technical data

- **description:** cross manifold (manifold block)
- **medium:** compressed air, neutral gases
- **supply pressure P1 max.:** 16 bar
- **temperature range:** 0 - 50°C
- **flow rate 1 => 2:** 2700 l/min
- **flow rate below 1 => 2.1:** Qn = 2000 l/min (at P1 = 6 bar, Δp = 1 bar)
- **flow rate top 1 => 2.2:** Qn = 2000 l/min (at P1 = 6 bar, Δp = 1 bar)
- **flow rate front 1 => 2.3:** Qn = 900 l/min (at P1 = 6 bar, Δp = 1 bar)

accessories



- mounting bracket:
[KBW.1-1225](#)



- coupling kit wall mounting:
[KKOP.1W](#)



- Druckschalter: [PE.10](#)

type	part-number	description
KDIS-114	94041.CC00	Distributor G1/4
KDIS-138	94041.DD00	Distributor G3/8

Service 3 unit

Service 2 unit

Filterregler

Filter

Filter regulator

Lubricator

System extensions

Accessories

Special products

Distributor | BG2



Image shows:
94042.DD00

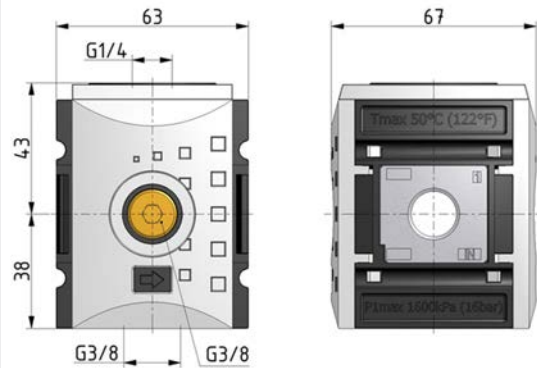
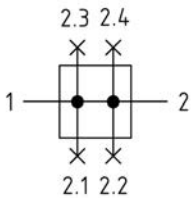


Image shows:
94042.DD00

symbol



technical data

- **description:** cross manifold (manifold block)
- **medium:** compressed air, neutral gases
- **supply pressure P1 max.:** 16 bar
- **temperature range:** 0 - 50°C
- **flow rate 1 => 2:** 7250 l/min
- **flow rate below 1 => 2.1:** Qn = 5500 l/min (at P1 = 6 bar, Δp = 1 bar)
- **flow rate top 1 => 2.2:** Qn = 2250 l/min (at P1 = 6 bar, Δp = 1 bar)
- **flow rate front 1 => 2.3:** Qn = 2300 l/min (at P1 = 6 bar, Δp = 1 bar)
- **flow rate back 1 => 2.4:** Qn = 2300 l/min (at P1 = 6 bar, Δp = 1 bar)

accessories



- mounting bracket:
[KBW.2-1225](#)



- coupling kit wall mounting:
[KKOP.2W](#)



- Druckschalter: [PE.10](#)

type	part-number	description
KDIS-238	94042.DD00	Distributor G3/8
KDIS-212	94042.EE00	Distributor G1/2

Distributor | BG4



Image shows:
94044.FF00

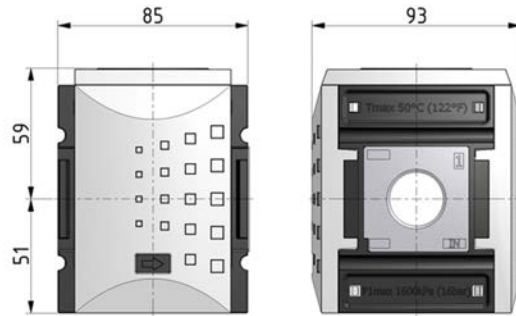
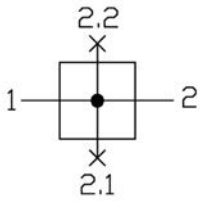


Image shows:
94044.FF00

symbol



technical data

- **description:** cross manifold (manifold block)
- **medium:** compressed air, neutral gases
- **supply pressure P1 max.:** 16 bar
- **temperature range:** 0 - 50°C
- **flow rate 1 => 2:** 18000 l/min
- **flow rate below 1 => 2.1:** Qn = 12000 l/min (at P1 = 6 bar, $\Delta p = 1$ bar)
- **flow rate top 1 => 2.2:** Qn = 8500 l/min (at P1 = 6 bar, $\Delta p = 1$ bar)

accessories



- mounting bracket: [KBW.4-1225](#)



- coupling kit wall mounting: [KKOP.4W](#)



- Druckschalter: [PE.10](#)

type	part-number	description
KDIS-434	94044.FF00	Distributor G3/4
KDIS-41	94044.GG00	Distributor G1

Service 3 unit

Service 2 unit

Filterregler

Filter

Filter regulator

Lubricator

System extensions

Accessories

Special products

Non return valve | BGO



Image shows:
94030.CC00

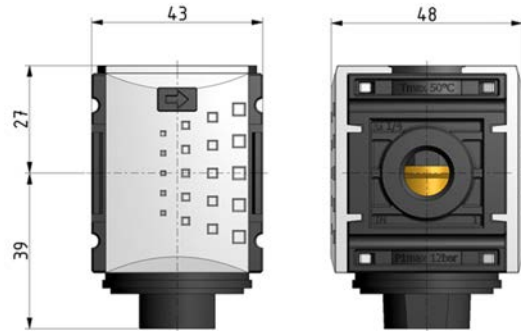
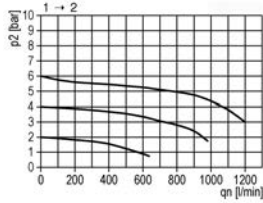
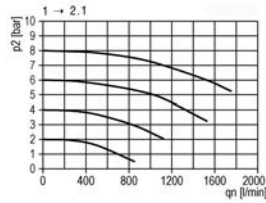


Image shows:
94030.CC00

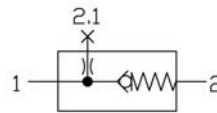
flow characteristic 1



flow characteristic 2



symbol



technical data

- **description:** poppet valve, spring loaded
- **medium:** compressed air, neutral gases
- **supply pressure P1 min.:** 0,4 bar
- **supply pressure P1 max.:** 12 bar
- **temperature range:** 0 - 50°C
- **flow rate 1 => 2:** 800 l/min
- **flow rate below 1 => 2.1:** Qn = 1000 l/min (at P1 = 6 bar, $\Delta p = 1$ bar)

accessories



- **mounting bracket:**
[KBW.0-1225](#)



- **coupling kit wall mounting:**
[KKOP.0W](#)

type	part-number	description
KREV-014	94030.CC00	Non return valve G1/4

Non return valve | BG1



Image shows:
94031.CC00

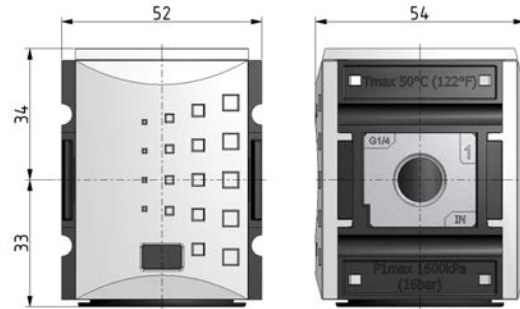
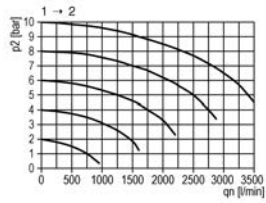
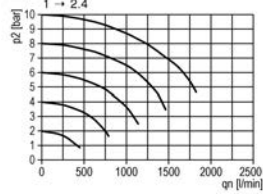


Image shows:
94031.CC00

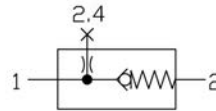
flow characteristic 1



flow characteristic 2



symbol



technical data

- **description:** poppet valve, spring loaded
- **medium:** compressed air, neutral gases
- **supply pressure P1 min.:** 0,4 bar
- **supply pressure P1 max.:** 16 bar
- **temperature range:** 0 - 50°C
- **flow rate 1 => 2:** 1250 l/min
- **flow rate back 1 => 2.4:** Qn = 700 l/min (at P1 = 6 bar, $\eta_p = 1$ bar)

accessories



- **mounting bracket:**
[KBW.1-1225](#)



- **coupling kit wall mounting:**
[KKOP.1W](#)

type	part-number	description
KREV-114	94031.CC00	Non return valve G1/4
KREV-138	94031.DD00	Non return valve G3/8

Service 3 unit

Service 2 unit

Filterregler

Filter

Filter regulator

Lubricator

System extensions

Accessories

Special products

Non return valve | BG2



Image shows:
94032.DD00

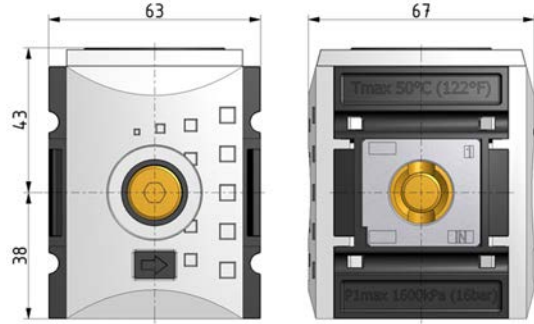
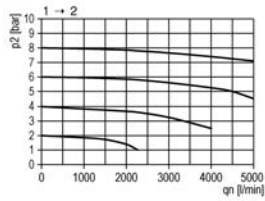
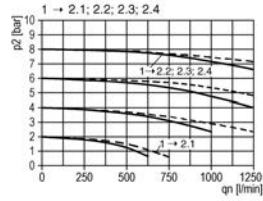


Image shows:
94032.DD00

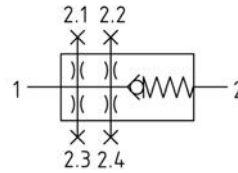
flow characteristic 1



flow characteristic 2



symbol



technical data

- **description:** poppet valve, spring loaded
- **medium:** compressed air, neutral gases
- **supply pressure P1 min.:** 0,4 bar
- **supply pressure P1 max.:** 16 bar
- **temperature range:** 0 - 50°C
- **flow rate 1 => 2:** 4500 l/min
- **flow rate below 1 => 2.1:** Qn = 1150 l/min (at P1 = 6 bar, Δp = 1 bar)
- **flow rate top 1 => 2.2:** Qn = 800 l/min (at P1 = 6 bar, Δp = 1 bar)
- **flow rate front 1 => 2.3:** Qn = 1150 l/min (at P1 = 6 bar, Δp = 1 bar)
- **flow rate back 1 => 2.4:** Qn = 1150 l/min (at P1 = 6 bar, Δp = 1 bar)

accessories



- **mounting bracket:**
[KBW.2-1225](#)



- **coupling kit wall mounting:**
[KKOP.2W](#)

type	part-number	description
KREV-238	94032.DD00	Non return valve G3/8
KREV-212	94032.EE00	Non return valve G1/2

Non return valve | BG4



Image shows:
94034.FF00

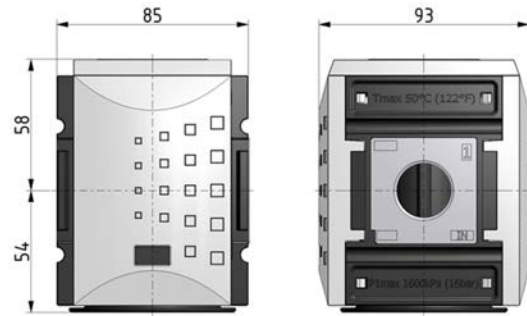
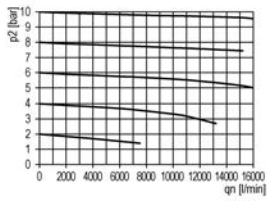
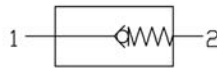


Image shows:
94034.FF00

flow characteristic



symbol



technical data

- **description:** poppet valve, spring loaded
- **medium:** compressed air, neutral gases
- **supply pressure P1 min.:** 0,4 bar
- **supply pressure P1 max.:** 16 bar
- **temperature range:** 0 - 50°C
- **flow rate 1 => 2:** 16000 l/min

accessories



- **mounting bracket:**
[KBW.4-1225](#)



- **coupling kit wall mounting:**
[KKOP.4W](#)

type	part-number	description
KREV-434	94034.FF00	Non return valve G3/4
KREV-41	94034.GG00	Non return valve G1

Service 3 unit

Service 2 unit

Filterregler

Filter

Filter regulator

Lubricator

System extensions

Accessories

Special products

Filling unit | BGO



Image shows:
92820.CC02

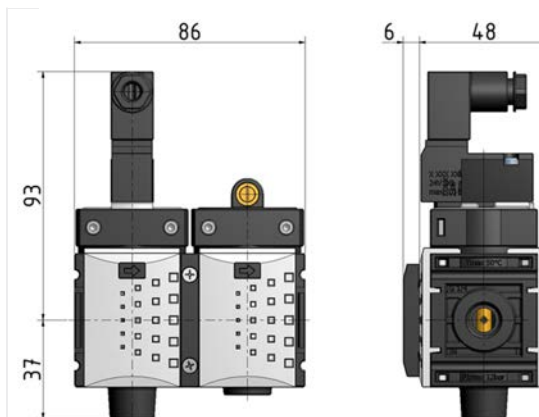
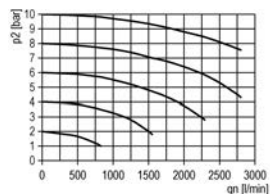
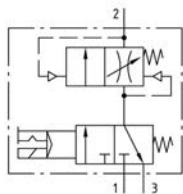


Image shows:
92820.CC02

flow characteristic



symbol



technical data

- **description:** poppet valve
- **medium:** compressed air, neutral gases
- **supply pressure P1 min.:** 2,5 bar
- **supply pressure P1 max.:** 10 bar
- **temperature range:** 0 - 50°C
- **input signal:** 24V=
- **relative switch on duration:** 100%
- **capacity:** 2,5 W
- **protection class:** IP 65 according to DIN 40050
- **electrical connection:** socket coupling EN 175301-803, form C / ISO 15217 poles 2+PE (included in scope of delivery)

accessories



- **mounting bracket:**
[KBW.0-1225](#)



- **coupling kit wall mounting:**
[KKOP.0W](#)

- **3/2 solenoid impulse valve:**
ZG.0-8 (CNOMO adapter
ESA.1-1303 essential)

type	part-number	description
K2SA-014/24	92820.CC02	Filling unit G1/4 electric operated 24 V=
K2SA-014/115	92820.CC03	Filling unit G1/4 electric operated 115/50Hz
K2SA-014/230	92820.CC04	Filling unit G1/4 electric operated 230/50Hz
K2SA-014 I	92820.CC10	Filling unit G1/4 pneumatic operated

Filling unit | BG1



Image shows:
92821.CC02

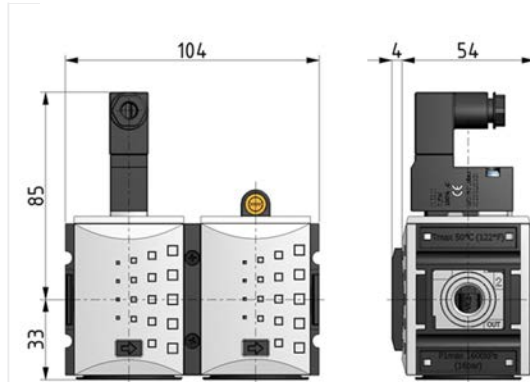
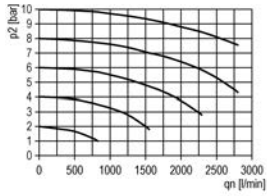
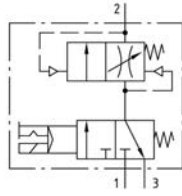


Image shows:
92821.CC02

flow characteristic



symbol



technical data

- **description:** poppet valve
- **medium:** compressed air, neutral gases
- **supply pressure P1 min.:** 2,5 bar
- **supply pressure P1 max.:** 10 bar
- **temperature range:** 0 - 50°C
- **input signal:** 24V=
- **relative switch on duration:** 100%
- **capacity:** 2,5 VV
- **protection class:** IP 65 according to DIN 40050
- **electrical connection:** socket coupling EN 175301-803, form C / ISO 15217 poles 2+PE (included in scope of delivery)

accessories



- **mounting bracket:**
[KBW.1-1225](#)



- **coupling kit wall mounting:**
[KKOP.1W](#)

- **3/2 solenoid impulse valve:**
ZG.0-8 (CNOMO adapter
ESA.1-1303 essential)

Service 3 unit

Service 2 unit

Filterregler

Filter

Filter regulator

Lubricator

System extensions

Accessories

Special products

Service 3 unit

type	part-number	description
K2SA-114/24	92821.CC02	Filling unit G1/4 electric operated 24 V=
K2SA-114/115	92821.CC03	Filling unit G1/4 electric operated 115V/50Hz
K2SA-114/230	92821.CC04	Filling unit G1/4 electric operated 230V/50Hz
K2SA-114 I	92821.CC10	Filling unit G1/4 pneumatic operated
K2SA-138/24	92821.DD02	Filling unit G3/8 electric operated 24 V=
K2SA-138/115	92821.DD03	Filling unit G3/8 electric operated 115V/50Hz
K2SA-138/230	92821.DD04	Filling unit G3/8 electric operated 230V/50Hz
K2SA-138 I	92821.DD10	Filling unit G3/8 pneumatic operated

Service 2 unit

Filterregler

Filter

Filter regulator

Lubricator

System extensions

Accessories

Special products

Filling unit | BG2



Image shows:
92822.DD02

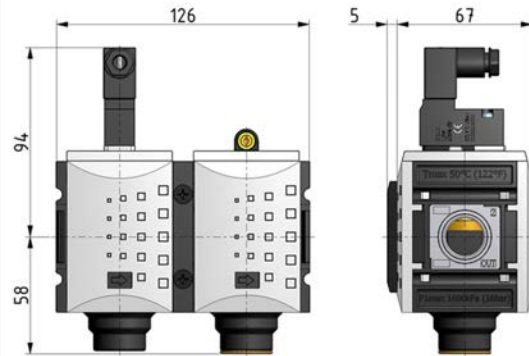
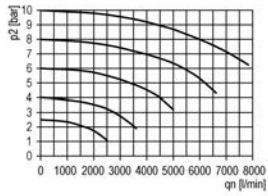
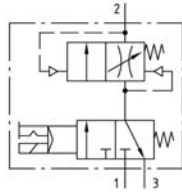


Image shows:
92822.DD02

flow characteristic



symbol



technical data

- **description:** poppet valve
- **medium:** compressed air, neutral gases
- **supply pressure P1 min.:** 2,5 bar
- **supply pressure P1 max.:** 10 bar
- **temperature range:** 0 - 50°C
- **input signal:** 24V=
- **relative switch on duration:** 100%
- **capacity:** 2,5 W
- **protection class:** IP 65 according to DIN 40050
- **electrical connection:** socket coupling EN 175301-803, form C / ISO 15217 poles 2+PE (included in scope of delivery)

accessories



- **mounting bracket:**
[KBW.2-1225](#)



- **coupling kit wall mounting:**
[KKOP.2W](#)

- **3/2 solenoid impulse valve:**
ZG.0-8 (CNOMO adapter
ESA.1-1303 essential)

Service 3 unit

Service 2 unit

Filterregler

Filter

Filter regulator

Lubricator

System extensions

Accessories

Special products

Service 3 unit

type	part-number	description
K2SA-238/24	92822.DD02	Filling unit G3/8 electric operated 24V=
K2SA-238/115	92822.DD03	Filling unit G3/8 electric operated 115V/50HZ
K2SA-238/230	92822.DD04	Filling unit G3/8 electric operated 230V/50HZ
K2SA-238 I	92822.DD10	Filling unit G3/8 pneumatic operated
K2SA-212/24	92822.EE02	Filling unit G1/2 electric operated 24V=
K2SA-212/115	92822.EE03	Filling unit G1/2 electric operated 115V/50Hz
K2SA-212/230	92822.EE04	Filling unit G1/2 electric operated 230V/50Hz
K2SA-212 I	92822.EE10	Filling unit G1/2 pneumatic operated

Service 2 unit

Filterregler

Filter

Filter regulator

Lubricator

System extensions

Accessories

Special products

Filling unit | BG4



Image shows:
92824.FF02

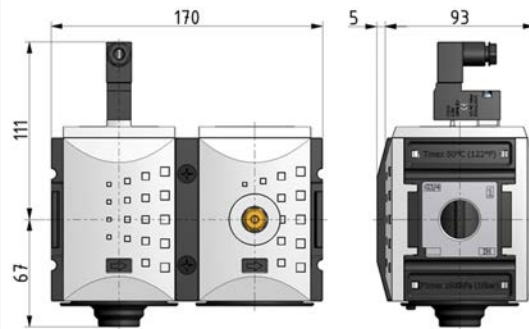
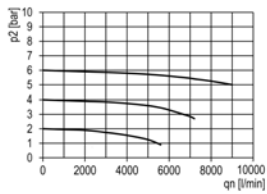
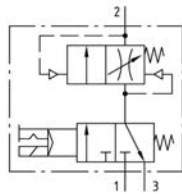


Image shows:
92824.FF02

flow characteristic



symbol



technical data

- **description:** poppet valve
- **medium:** compressed air, neutral gases
- **supply pressure P1 min.:** 2,5 bar
- **supply pressure P1 max.:** 10 bar
- **temperature range:** 0 - 50°C
- **input signal:** 24V=
- **relative switch on duration:** 100%
- **capacity:** 2,5 VV
- **protection class:** IP 65 according to DIN 40050
- **electrical connection:** socket coupling EN 175301-803, form C / ISO 15217 poles 2+PE (included in scope of delivery)

accessories



- **mounting bracket:**
[KBW.4-1225](#)



- **coupling kit wall mounting:**
[KKOP.4W](#)

- **3/2 solenoid impulse valve:**
ZG.0-8 (CNOMO adapter
ESA.1-1303 essential)

Service 3 unit

Service 2 unit

Filterregler

Filter

Filter regulator

Lubricator

System extensions

Accessories

Special products

Service 3 unit

type	part-number	description
K2SA-434/24	92824.FF02	Filling unit G3/4 electric operated 24V=
K2SA-434/115	92824.FF03	Filling unit G3/4 electric operated 115/50Hz
K2SA-434/230	92824.FF04	Filling unit G3/4 electric operated 230/50Hz
K2SA-434 I	92824.FF10	Filling unit G3/4 pneumatic operated
K2SA-41/24	92824.GG02	Filling unit G1 electric operated 24V=
K2SA-41/115	92824.GG03	Filling unit G1 electric operated 115V/50Hz
K2SA-41/230	92824.GG04	Filling unit G1 electric operated 230V/50Hz
K2SA-41 I	92824.GG10	Filling unit G1 pneumatic operated

Service 2 unit

Filterregler

Filter

Filter regulator

Lubricator

System extensions

Accessories

Special products

Bracket kit | BG0



Image shows:
99000.1225

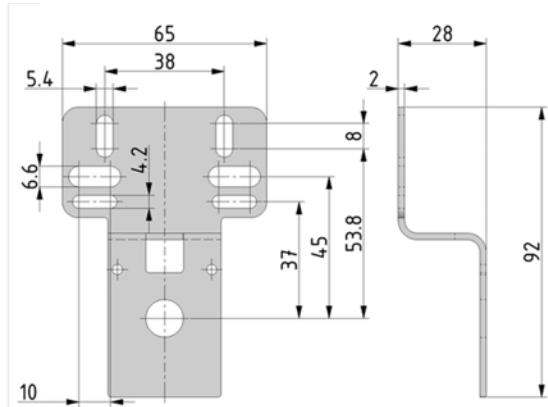


Image shows:
99000.1225

technical data

- **description:** Mounting bracket
- **material:** steel galvanized
- **fixing:** mounting with 2 screws

accessories

type	part-number	description
KBW.0-1225	99000.1225	Mounting bracket FUTURA BG0 (BW.0+2x screw 3x10 with Torx 10IP)

Service 3 unit

Service 2 unit

Filterregler

Filter

Filter regulator

Lubricator

System extensions

Accessories

Special products

Bracket kit | BG1



Image shows:
99001.1225

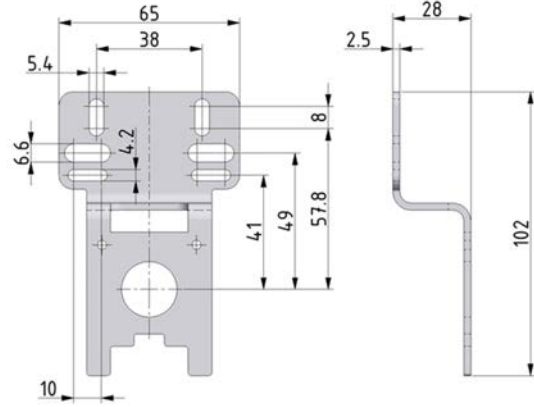


Image shows:
99001.1225

Service 3 unit

Service 2 unit

Filterregler

Filter

Filter regulator

Lubricator

System extensions

Accessories

Special products

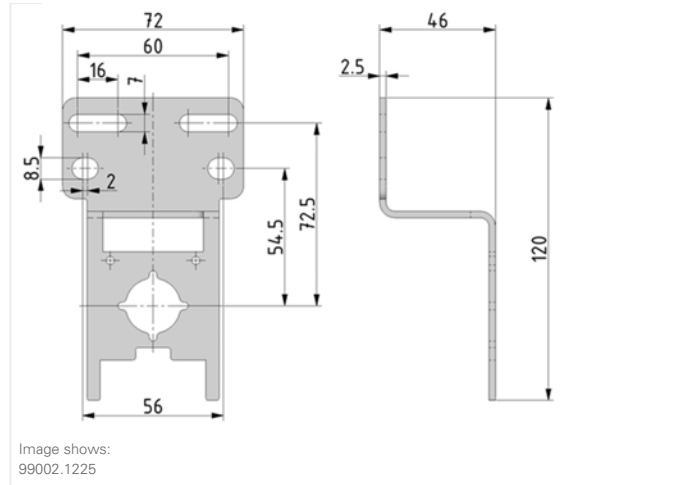
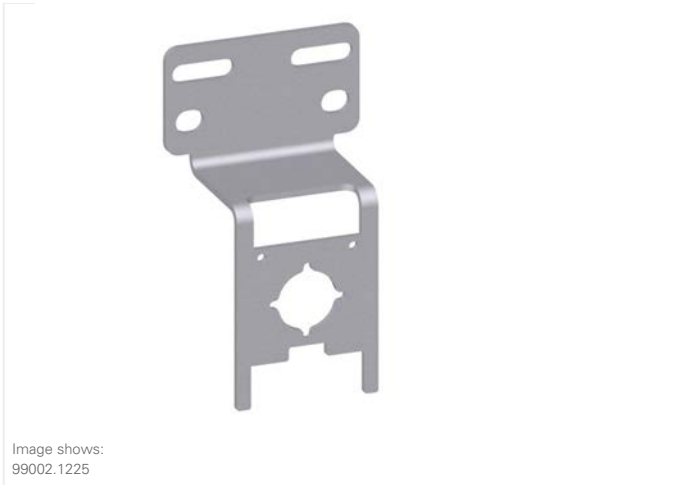
technical data

- **description:** Mounting bracket
- **material:** steel galvanized
- **fixing:** mounting with 2 screws

accessories

type	part-number	description
KBW.1-1225	99001.1225	Mounting bracket FUTURA BG1 (BW.1+2x screw 3x10 with Torx 10IP)

Bracket kit | BG2



technical data

- **description:** Mounting bracket
- **material:** steel galvanized
- **fixing:** mounting with 2 screws

accessories

type	part-number	description
KBW.2-1225	99002.1225	Mounting bracket FUTURA BG2 (BW.2+2x screw 3x10 with Torx 10IP)

Service 3 unit

Service 2 unit

Filterregler

Filter

Filter regulator

Lubricator

System extensions

Accessories

Special products

Bracket kit | BG4



Image shows:
99004.1225

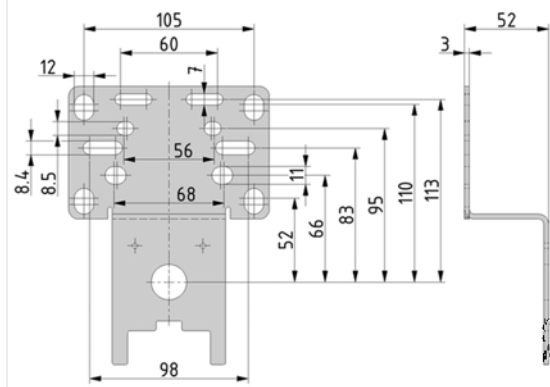


Image shows:
99004.1225

Service 3 unit

Service 2 unit

Filterregler

Filter

Filter regulator

Lubricator

System extensions

Accessories

Special products

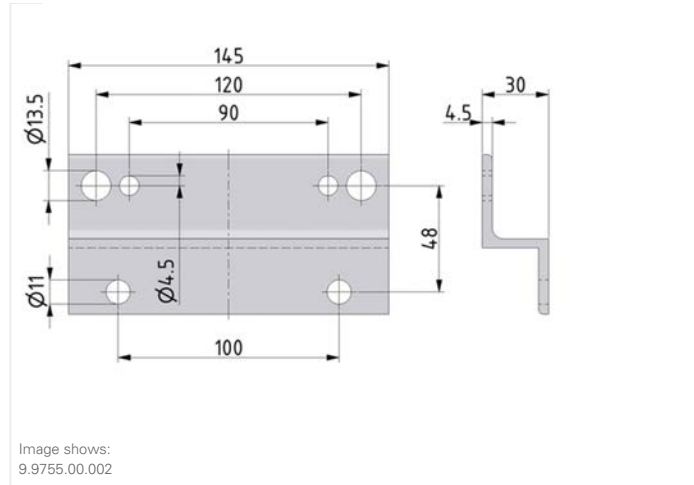
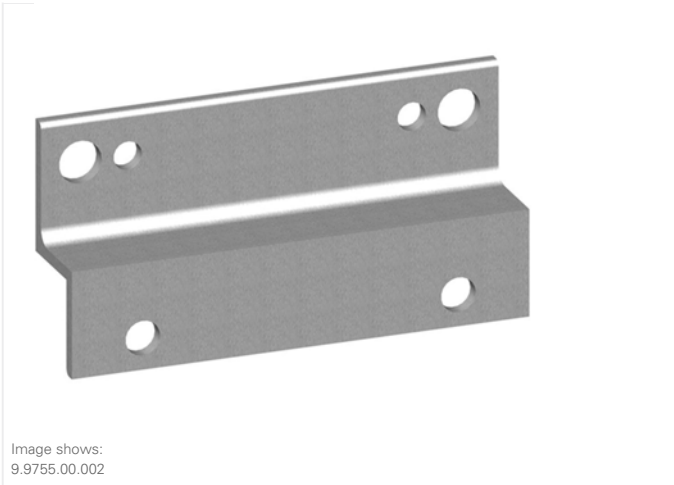
technical data

- **description:** Mounting bracket
- **material:** steel galvanized
- **fixing:** mounting with 2 screws

accessories

type	part-number	description
KBW.4-1225	99004.1225	Mounting bracket FUTURA BG4 (BW.4+2x screw 3x10 with Torx 10IP)

Bracket kit | ZFL.55



technical data

- **description:** Mounting bracket
- **material:** steel galvanized
- **fixing:** mounting with 2 screws

accessories

type	part-number	description
ZFL.55-22	9.9755.00.002	Mounting bracket (ZFL.55-22+4x screw M10x25 DIN933+4x10 ISO7090)

Service 3 unit

Service 2 unit

Filterregler

Filter

Filter regulator

Lubricator

System extensions

Accessories

Special products

Mounting bracket for panel mounting | BGO



Image shows:
99000.1227

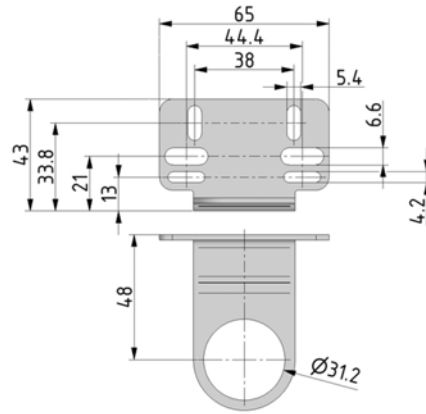


Image shows:
99000.1227

technical data

- **description:** Mounting bracket for panel mounting
- **material:** steel galvanized
- **fixing:** control panel nut and 2 screws for fixation to wall

accessories

type	part-number	description
KBW.0-1227	99000.1227	FUTURA mounting bracket for panel mounting BGO

Service 3 unit

Service 2 unit

Filterregler

Filter

Filter regulator

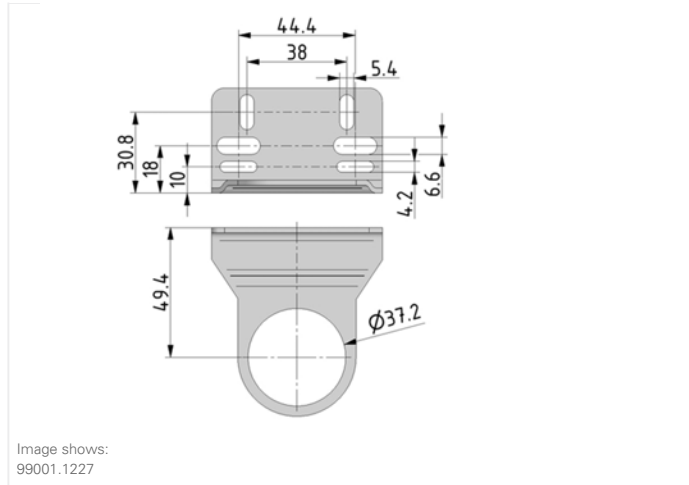
Lubricator

System extensions

Accessories

Special products

Mounting bracket for panel mounting | BG1



technical data

- **description:** Mounting bracket for panel mounting
- **material:** steel galvanized
- **fixing:** control panel nut and 2 screws for fixation to wall

accessories

type	part-number	description
KBW.1-1227	99001.1227	Mounting bracket FUTURA BG1 for panel mounting

Service 3 unit

Service 2 unit

Filterregler

Filter

Filter regulator

Lubricator

System extensions

Accessories

Special products

Mounting bracket for panel mounting | BG2



Image shows:
99002.1227

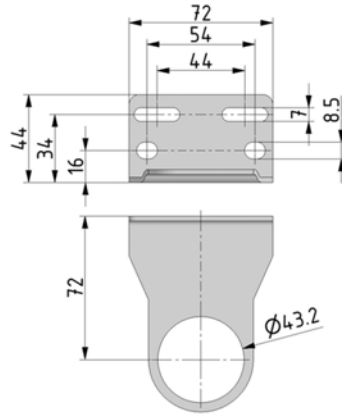


Image shows:
99002.1227

Service 3 unit

Service 2 unit

Filterregler

Filter

Filter regulator

Lubricator

System extensions

Accessories

Special products

technical data

- **description:** Mounting bracket for panel mounting
- **material:** steel galvanized
- **fixing:** control panel nut and 2 screws for fixation to wall

accessories

type

KBW.2-1227

part-number

99002.1227

description

FUTURA mounting bracket for panel mounting BG2

Coupling kit | BG0



Image shows:
99000.0901

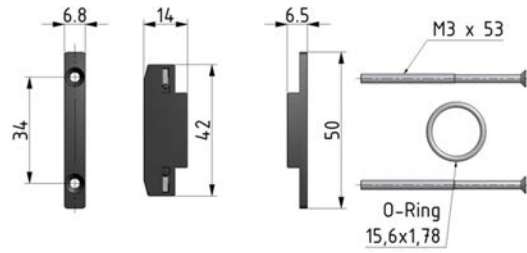


Image shows:
99000.0901

technical data

- **description:** Coupling kit
- **fixing:** for components to be connected in Futura series 0
- **material coupling kit:** Grivory (PA66)
- **material screws:** steel
- **material o-ring:** NBR 70

accessories

type	part-number	description
KKOP.0	99000.0901	Coupling kit BG0 FUTURA

Service 3 unit

Service 2 unit

Filterregler

Filter

Filter regulator

Lubricator

System extensions

Accessories

Special products

Coupling kit | BG1



Image shows:
99001.0901

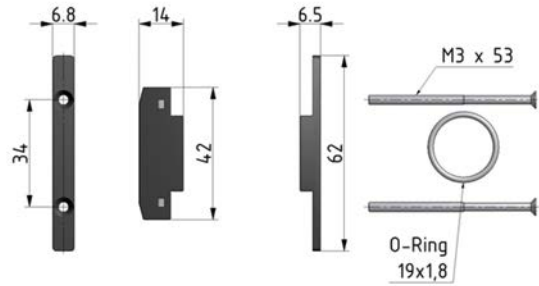


Image shows:
99001.0901

Service 3 unit

Service 2 unit

Filterregler

Filter

Filter regulator

Lubricator

System extensions

Accessories

Special products

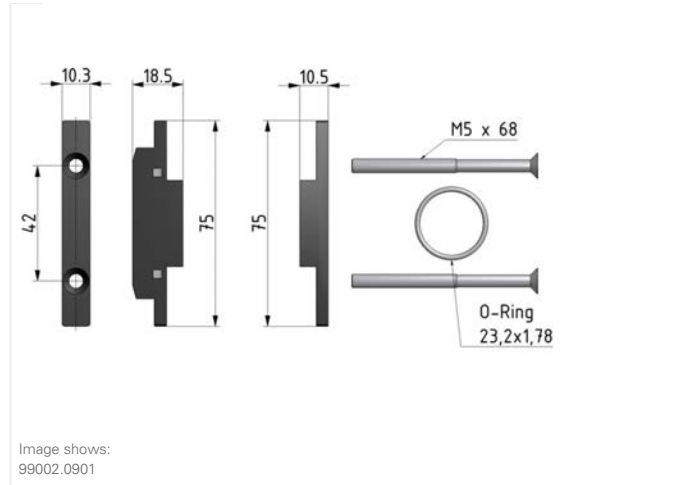
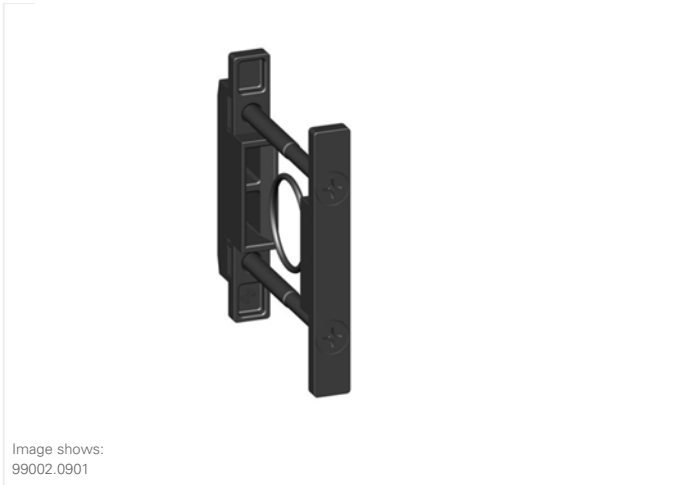
technical data

- **description:** Coupling kit
- **fixing:** for components to be connected in Futura series 1
- **material coupling kit:** Grivory (PA66)
- **material screws:** steel
- **material o-ring:** NBR 70

accessories

type	part-number	description
KKOP.1	99001.0901	Coupling kit BG1 FUTURA

Coupling kit | BG2



technical data

- **description:** Coupling kit
- **fixing:** for components to be connected in Futura series 2
- **material coupling kit:** Grivory (PA66)
- **material screws:** steel
- **material o-ring:** NBR 70

accessories

type	part-number	description
KKOP.2	99002.0901	Coupling kit BG2 FUTURA

Service 3 unit

Service 2 unit

Filterregler

Filter

Filter regulator

Lubricator

System extensions

Accessories

Special products

Coupling kit | BG4



Image shows:
99004.0901

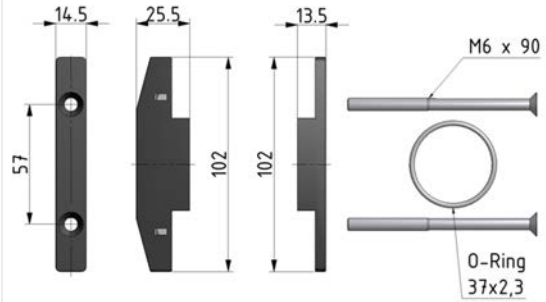


Image shows:
99004.0901

Service 3 unit

Service 2 unit

Filterregler

Filter

Filter regulator

Lubricator

System extensions

Accessories

Special products

technical data

- **description:** Coupling kit
- **fixing:** for components to be connected in Futura series 4
- **material coupling kit:** Grivory (PA66)
- **material screws:** steel
- **material o-ring:** NBR 70

accessories

type	part-number	description
KKOP.4	99004.0901	Coupling kit BG4 FUTURA

Coupling kit wall mounting | BGO



Image shows:
99000.0900

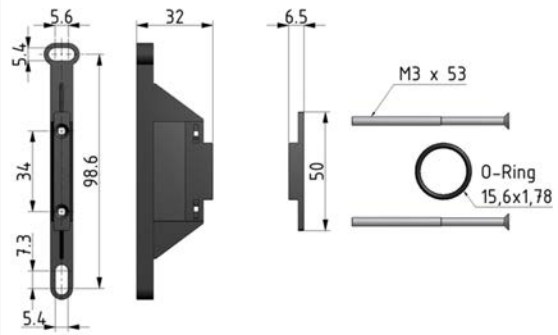


Image shows:
99000.0900

technical data

- **description:** Coupling kit wall mounting
- **fixing:** for components to be connected in Futura series 0
- **material coupling kit:** Grivory (PA66)
- **material screws:** steel
- **material o-ring:** NBR 70

accessories

type	part-number	description
KKOP.0W	99000.0900	FUTURA coupling kit BGO for wall assembly

Service 3 unit

Service 2 unit

Filterregler

Filter

Filter regulator

Lubricator

System extensions

Accessories

Special products

Coupling kit wall mounting | BG1



Image shows:
99001.0900

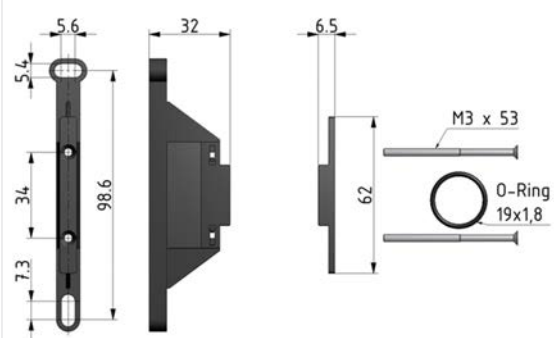


Image shows:
99001.0900

technical data

- **description:** Coupling kit wall mounting
- **fixing:** for components to be connected in Futura series 1
- **material coupling kit:** Grivory (PA66)
- **material screws:** steel
- **material o-ring:** NBR 70

accessories

type	part-number	description
KKOP.1W	99001.0900	FUTURA coupling kit BG1 for wall assembly

Service 3 unit

Service 2 unit

Filterregler

Filter

Filter regulator

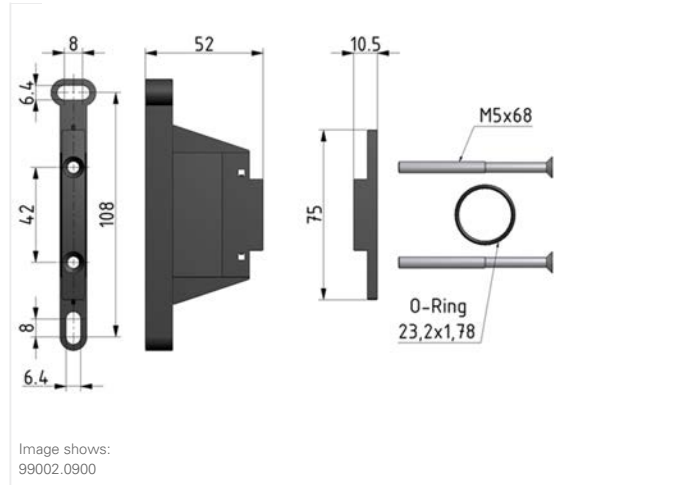
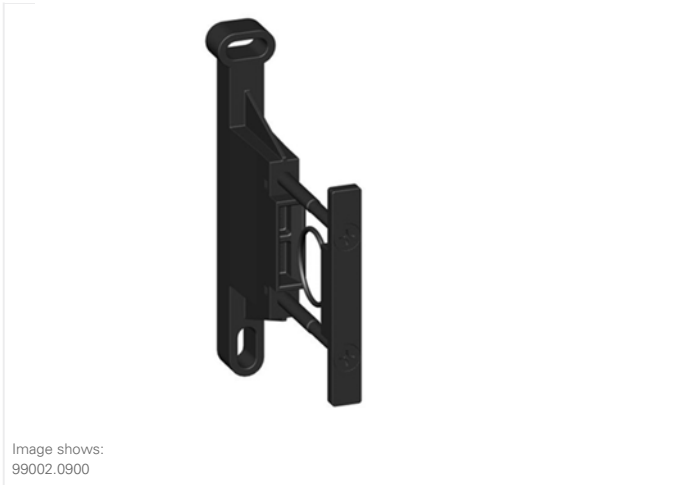
Lubricator

System extensions

Accessories

Special products

Coupling kit wall mounting | BG2



technical data

- **description:** Coupling kit wall mounting
- **fixing:** for components to be connected in Futura series 2
- **material coupling kit:** Grivory (PA66)
- **material screws:** steel
- **material o-ring:** NBR 70

accessories

type	part-number	description
KKOP.2W	99002.0900	FUTURA coupling kit BG2 for wall assembly

Service 3 unit

Service 2 unit

Filterregler

Filter

Filter regulator

Lubricator

System extensions

Accessories

Special products

Coupling kit wall mounting | BG4

Service 3 unit

Service 2 unit

Filterregler

Filter

Filter regulator

Lubricator

System extensions

Accessories

Special products



Image shows:
99004.0900

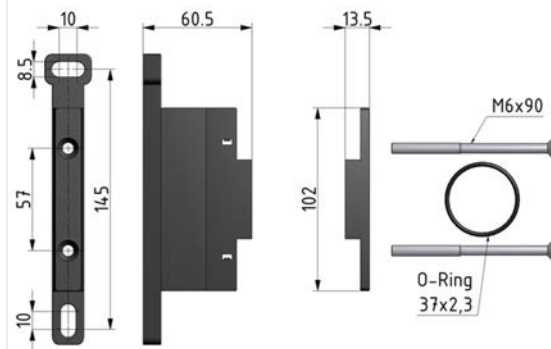


Image shows:
99004.0900

technical data

- **description:** Coupling kit wall mounting
- **fixing:** for components to be connected in Futura series 4
- **material coupling kit:** Grivory (PA66)
- **material screws:** steel
- **material o-ring:** NBR 70

accessories

type	part-number	description
KKOP.4W	99004.0900	FUTURA coupling kit BG4 for wall assembly

Gauge square | BG0

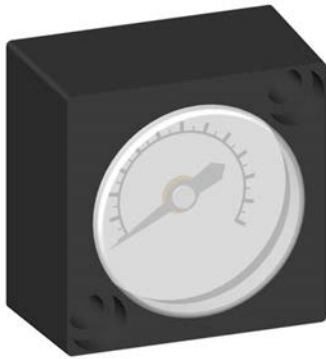


Image shows:
93700.3700

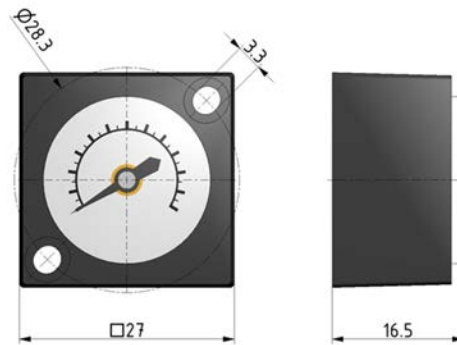


Image shows:
93700.3700

technical data

- **description:** bourdon tube pressure gauge (EN 837-1), flange connection (only BG0)
- **temperature range:** 0 - 50°C
- **diameter:** 27x27 (only BG0)
- **scale ranges (EN 837-1):** 0 - 6 bar
- **accuracy class:** 2,5 (EN 837-1 /6)
- **case:** black plastic
- **window:** snap fit window of clear plastic
- **working pressure, steady:** 0 - 4,5 bar
- **working pressure, fluctuating:** 0 - 4 bar
- **temperature effect:** when temperature of the pressure element deviates from reference temperature (+20°C): max. ±0,4%/10°C of the span

accessories

type	part-number	description
GC 27.6	93700.3700	Gauge square FUTURA BG0 0-6
GC 27.12	93700.3710	Gauge square FUTURA BG0 0-12

Service 3 unit

Service 2 unit

Filterregler

Filter

Filter regulator

Lubricator

System extensions

Accessories

Special products

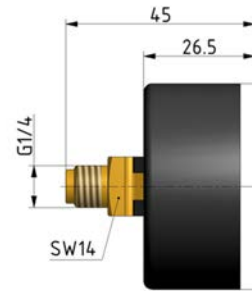
Gauge | BG1, BG2



Image shows:
9.3700.00.110



Image shows:
9.3700.00.110



Service 3 unit

Service 2 unit

Filterregler

Filter

Filter regulator

Lubricator

System extensions

Accessories

Special products

technical data

- **description:** bourdon tube pressure gauge (EN 837-1), pressure connection on the back
- **temperature range:** 0 - 50°C
- **diameter:** ø50
- **scale ranges (EN 837-1):** 0 - 16 bar
- **accuracy class:** 2,5 (EN 837-1 /6)
- **case:** black plastic
- **window:** snap fit window of clear plastic
- **working pressure, steady:** 0 - 12 bar
- **working pressure, fluctuating:** 0 - 10,5 bar
- **temperature effect:** when temperature of the pressure element deviates from reference temperature (+20°C): max. ±0,4%/10°C of the span

accessories

type	part-number	description
G 50.16 R	9.3700.00.110	Gauge G1/4 Knocks instrument dial light grey
G 50.10 R	9.3700.00.111	Gauge G1/4 Knocks instrument dial light grey
G 50.6 R	9.3700.00.112	Gauge G1/4 Knocks instrument dial light grey
G 50.25 R	9.3700.00.113	Gauge G1/4 Knocks instrument dial light grey
G 50.2,5 R	9.3700.00.114	Gauge G1/4 Knocks instrument dial light grey
G 50.4 R	9.3700.00.116	Gauge G1/4 Knocks instrument dial light grey

Gauge | BG4



Image shows:
9.3700.00.243

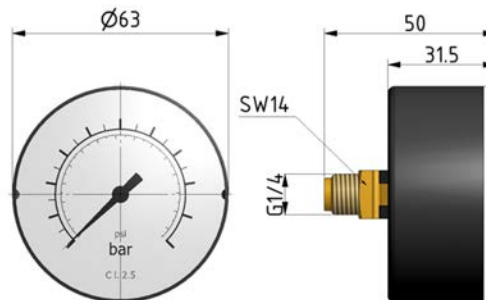


Image shows:
9.3700.00.243

technical data

- **description:** bourdon tube pressure gauge (EN 837-1), pressure connection on the back
- **temperature range:** 0 - 50°C
- **diameter:** Ø63
- **scale ranges (EN 837-1):** 0 - 16 bar
- **accuracy class:** 2,5 (EN 837-1 /6)
- **case:** black plastic
- **window:** snap fit window of clear plastic
- **working pressure, steady:** 0 - 12 bar
- **working pressure, fluctuating:** 0 - 10,5 bar
- **temperature effect:** when temperature of the pressure element deviates from reference temperature (+20°C): max. ±0,4%/10°C of the span

accessories

type	part-number	description
G 63.16 R	9.3700.00.243	Gauge G1/4 Knocks instrument dial light grey
G 63.25 R	9.3700.00.244	Gauge G1/4 Knocks instrument dial light grey
G 63.6 R	9.3700.00.245	Gauge G1/4 Knocks instrument dial light grey
G 63.10 R	9.3700.00.246	Gauge G1/4 Knocks instrument dial light grey

Service 3 unit

Service 2 unit

Filterregler

Filter

Filter regulator

Lubricator

System extensions

Accessories

Special products

Bowl | BGO



Image shows:
9.9900.00.038

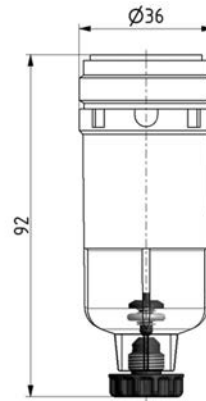


Image shows:
9.9900.00.038

Service 3 unit

Service 2 unit

Filterregler

Filter

Filter regulator

Lubricator

System extensions

Accessories

Special products

technical data

- supply pressure P1 min.: 1,5 bar
- supply pressure P1 max.: 12 bar
- temperature range: 0 - 50°C
- bowl: PC
- drain: HA
- fixing: screw thread

accessories

type	part-number	description
C.00 HA4	9.9900.00.038	PC bowl with semi automatic drain and o-ring 30x2

Bowl | BGO



Image shows:
8.2100.13.001.2



Image shows:
8.2100.13.001.2

technical data

- supply pressure P1 min.: 1,5 bar
- supply pressure P1 max.: 12 bar
- temperature range: 0 - 50°C
- bowl: metal bowl
- drain: HA3
- fixing: screw thread

accessories

type

C.00 M HA3

part-number

8.2100.13.001.2

description

Metal bowl with semi automatic drain and o-ring 30x2

Service 3 unit

Service 2 unit

Filterregler

Filter

Filter regulator

Lubricator

System extensions

Accessories

Special products

Bowl | BGO



Image shows:
9.9900.00.019



Image shows:
9.9900.00.019

Service 3 unit

Service 2 unit

Filterregler

Filter

Filter regulator

Lubricator

System extensions

Accessories

Special products

technical data

- supply pressure P1 min.: 1,5 bar
- supply pressure P1 max.: 12 bar
- temperature range: 0 - 50°C
- bowl: metal bowl
- drain: AM NO
- fixing: screw thread

accessories

type	part-number	description
C.00 M AM10	9.9900.00.019	Metal bowl with automatic drain and o-ring 30x2
C.00 M AM10/NC	9.9900.00.052	Metal bowl with automatic drain (usually closed) and o-ring 30x2

Bowl | BG0, BG1



Image shows:
8.2111.84.002

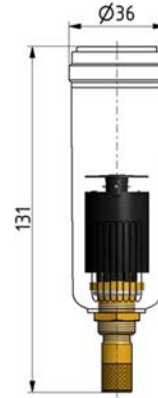


Image shows:
8.2111.84.002

technical data

- supply pressure P1 min.: 1,5 bar
- supply pressure P1 max.: 12 bar
- temperature range: 0 - 50°C
- bowl: PC
- drain: AM NO
- fixing: screw thread

accessories

type	part-number	description
C.11 AM10	8.2111.84.002	PC bowl with automatic drain and o-ring 30x2
C.11 AM10/NC	9.9911.00.030	PC bowl with automatic drain (usually closed) and o-ring 30x2

Service 3 unit

Service 2 unit

Filterregler

Filter

Filter regulator

Lubricator

System extensions

Accessories

Special products

Bowl | BG1



Image shows:
90001.0200

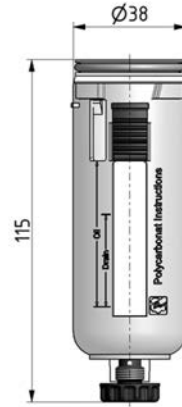


Image shows:
90001.0200

Service 3 unit

Service 2 unit

Filterregler

Filter

Filter regulator

Lubricator

System extensions

Accessories

Special products

technical data

- supply pressure P1 min.: 1,5 bar
- supply pressure P1 max.: 16 bar
- temperature range: 0 - 50°C
- bowl: PC with PA bowl guard
- drain: HA
- fixing: bayonet catch

accessories

type	part-number	description
BE.1 HA4	90001.0200	PC bowl with bowl guard, semi automatic drain and o-ring 32x2,5

Bowl | BG1



Image shows:
90001.0201



Image shows:
90001.0201

technical data

- supply pressure P1 min.: 1,5 bar
- supply pressure P1 max.: 16 bar
- temperature range: 0 - 50°C
- bowl: PC with PA bowl guard
- drain: AM NO
- fixing: bayonet catch

accessories

type	part-number	description
BE.1 AM10	90001.0201	PC bowl with bowl guard, automatic drain and o-ring 32x2,5
BE.1 AM10/NC	90001.0205	PC bowl with bowl guard, automatic drain (usually closed) and o-ring 32x2,5

Service 3 unit

Service 2 unit

Filterregler

Filter

Filter regulator

Lubricator

System extensions

Accessories

Special products

Bowl | BG1



Image shows:
90001.0220



Image shows:
90001.0220

Service 3 unit

Service 2 unit

Filterregler

Filter

Filter regulator

Lubricator

System extensions

Accessories

Special products

technical data

- supply pressure P1 min.: 1,5 bar
- supply pressure P1 max.: 16 bar
- temperature range: 0 - 50°C
- bowl: metal bowl with level indicator
- drain: HA
- fixing: bayonet catch

accessories

type	part-number	description
BE.1 H HA4	90001.0220	Bowl metal/visual display with semi automatic drain and o-ring 32x2,5

Bowl | BG1



Image shows:
90001.0221



Image shows:
90001.0221

technical data

- supply pressure P1 min.: 1,5 bar
- supply pressure P1 max.: 16 bar
- temperature range: 0 - 50°C
- bowl: metal bowl with level indicator
- drain: AM NO
- fixing: bayonet catch

accessories

type	part-number	description
BE.1 H AM10	90001.0221	Bowl metal/visual display with automatic drain and o-ring 32x2,5
BE.1 H AM10/NC	90001.0225	Bowl metal/visual display with automatic drain (usually closed) and o-ring 32x2,5

Service 3 unit

Service 2 unit

Filterregler

Filter

Filter regulator

Lubricator

System extensions

Accessories

Special products

Bowl | BG1



Image shows:
90001.0203

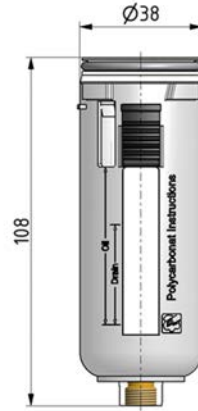


Image shows:
90001.0203

Service 3 unit

Service 2 unit

Filterregler

Filter

Filter regulator

Lubricator

System extensions

Accessories

Special products

technical data

- supply pressure P1 min.: 0 bar
- supply pressure P1 max.: 16 bar
- temperature range: 0 - 50°C
- bowl: PC with PA bowl guard
- fixing: bayonet catch

accessories

type	part-number	description
BE.1 c	90001.0203	PC bowl closed with bowl guard and o-ring 32x2,5

Bowl | BG1



Image shows:
90001.0223

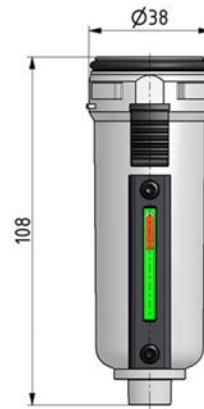


Image shows:
90001.0223

technical data

- supply pressure P1 min.: 0 bar
- supply pressure P1 max.: 16 bar
- temperature range: 0 - 50°C
- bowl: metal bowl with level indicator
- fixing: bayonet catch

accessories

type

BE.1 H c

part-number

90001.0223

description

Bowl metal/visual display closed and o-ring 32x2,5

Service 3 unit

Service 2 unit

Filterregler

Filter

Filter regulator

Lubricator

System extensions

Accessories

Special products

Bowl | BG2



Image shows:
90002.0200



Image shows:
90002.0200

Service 3 unit

Service 2 unit

Filterregler

Filter

Filter regulator

Lubricator

System extensions

Accessories

Special products

technical data

- supply pressure P1 min.: 1,5 bar
- supply pressure P1 max.: 16 bar
- temperature range: 0 - 50°C
- bowl: PC with PA bowl guard
- drain: HA
- fixing: bayonet catch

accessories

type	part-number	description
BE.2 HA4	90002.0200	PC bowl with bowl guard, semi automatic drain and o-ring 37,5x2,5

Bowl | BG2



Image shows:
90002.0201



Image shows:
90002.0201

technical data

- supply pressure P1 min.: 1,5 bar
- supply pressure P1 max.: 16 bar
- temperature range: 0 - 50°C
- bowl: PC with PA bowl guard
- drain: AM NO
- fixing: bayonet catch

accessories

type	part-number	description
BE.2 AM10	90002.0201	PC bowl with bowl guard, automatic drain and o-ring 37,5x2,5
BE.2 AM10/NC	90002.0205	PC bowl with bowl guard, automatic drain (usually closed) and o-ring 37,5x2,5

Service 3 unit

Service 2 unit

Filterregler

Filter

Filter regulator

Lubricator

System extensions

Accessories

Special products

Bowl | BG2



Image shows:
90002.0220

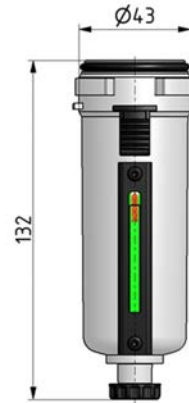


Image shows:
90002.0220

Service 3 unit

Service 2 unit

Filterregler

Filter

Filter regulator

Lubricator

System extensions

Accessories

Special products

technical data

- supply pressure P1 min.: 1,5 bar
- supply pressure P1 max.: 16 bar
- temperature range: 0 - 50°C
- bowl: metal bowl with level indicator
- drain: HA
- fixing: bayonet catch

accessories

type	part-number	description
BE.2 H HA4	90002.0220	Bowl metal/visual display with semi automatic drain and o-ring 37,5x2,5

Bowl | BG2



Image shows:
90002.0221



Image shows:
90002.0221

technical data

- supply pressure P1 min.: 1,5 bar
- supply pressure P1 max.: 16 bar
- temperature range: 0 - 50°C
- bowl: metal bowl with level indicator
- drain: AM NO
- fixing: bayonet catch

accessories

type	part-number	description
BE.2 H AM10	90002.0221	Bowl metal/visual display with automatic drain and o-ring 37,5x2,5
BE.2 H AM10/NC	90002.0225	Bowl metal/visual display with automatic drain (usually closed) and o-ring 37,5x2,5

Service 3 unit

Service 2 unit

Filterregler

Filter

Filter regulator

Lubricator

System extensions

Accessories

Special products

Bowl | BG2



Image shows:
90002.0203



Image shows:
90002.0203

Service 3 unit

Service 2 unit

Filterregler

Filter

Filter regulator

Lubricator

System extensions

Accessories

Special products

technical data

- supply pressure P1 min.: 0 bar
- supply pressure P1 max.: 16 bar
- temperature range: 0 - 50°C
- bowl: PC with PA bowl guard
- fixing: bayonet catch

accessories

type	part-number	description
BE.2 c	90002.0203	PC bowl closed with bowl guard and o-ring 37,5x2,5

Bowl | BG2



Image shows:
90002.0223

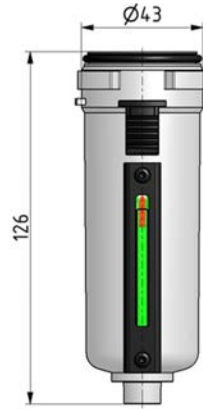


Image shows:
90002.0223

technical data

- supply pressure P1 min.: 0 bar
- supply pressure P1 max.: 16 bar
- temperature range: 0 - 50°C
- bowl: metal bowl with level indicator
- fixing: bayonet catch

accessories

type

BE.2 H c

part-number

90002.0223

description

Bowl metal/visual display closed and o-ring 37,5x2,5

Service 3 unit

Service 2 unit

Filterregler

Filter

Filter regulator

Lubricator

System extensions

Accessories

Special products

Bowl | BG4



Image shows:
90004.0200

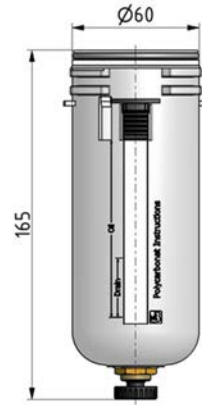


Image shows:
90004.0200

Service 3 unit

Service 2 unit

Filterregler

Filter

Filter regulator

Lubricator

System extensions

Accessories

Special products

technical data

- supply pressure P1 min.: 1,5 bar
- supply pressure P1 max.: 16 bar
- temperature range: 0 - 50°C
- bowl: PC with PA bowl guard
- drain: HA3
- fixing: bayonet catch

accessories

type	part-number	description
BE.4 HA3	90004.0200	PC bowl with bowl guard, semi automatic drain and o-ring 55x2,5

Bowl | BG4



Image shows:
90004.0201

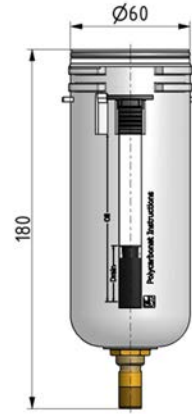


Image shows:
90004.0201

technical data

- supply pressure P1 min.: 1,5 bar
- supply pressure P1 max.: 16 bar
- temperature range: 0 - 50°C
- bowl: PC with PA bowl guard
- drain: AM NO
- fixing: bayonet catch

accessories

type	part-number	description
BE.4 AM10	90004.0201	PC bowl with bowl guard, automatic drain and o-ring 55x2,5
BE.4 AM10/NC	90004.0205	PC bowl with bowl guard, automatic drain (usually closed) and o-ring 55x2,5

Service 3 unit

Service 2 unit

Filterregler

Filter

Filter regulator

Lubricator

System extensions

Accessories

Special products

Bowl | BG4



Image shows:
90004.0220

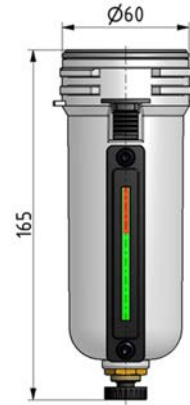


Image shows:
90004.0220

Service 3 unit

Service 2 unit

Filterregler

Filter

Filter regulator

Lubricator

System extensions

Accessories

Special products

technical data

- supply pressure P1 min.: 1,5 bar
- supply pressure P1 max.: 16 bar
- temperature range: 0 - 50°C
- bowl: metal bowl with level indicator
- drain: HA3
- fixing: bayonet catch

accessories

type	part-number	description
BE.4 H HA3	90004.0220	Bowl metal/visual display with semi automatic drain and o-ring 55x2,5

Bowl | BG4



Image shows:
90004.0221

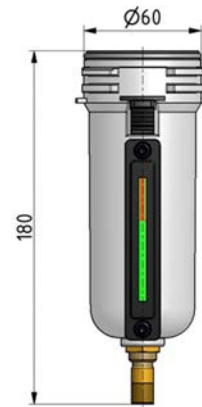


Image shows:
90004.0221

technical data

- supply pressure P1 min.: 1,5 bar
- supply pressure P1 max.: 16 bar
- temperature range: 0 - 50°C
- bowl: metal bowl with level indicator
- drain: AM NO
- fixing: bayonet catch

accessories

type	part-number	description
BE.4 H AM10	90004.0221	Bowl metal/visual display with automatic drain and o-ring 55x2,5
BE.4 H AM/NC	90004.0225	Bowl metal/visual display with automatic drain (usually closed) and o-ring 55x2,5

Service 3 unit

Service 2 unit

Filterregler

Filter

Filter regulator

Lubricator

System extensions

Accessories

Special products

Bowl | BG4



Image shows:
90004.0203

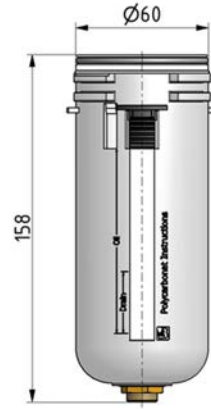


Image shows:
90004.0203

Service 3 unit

Service 2 unit

Filterregler

Filter

Filter regulator

Lubricator

System extensions

Accessories

Special products

technical data

- supply pressure P1 min.: 0 bar
- supply pressure P1 max.: 16 bar
- temperature range: 0 - 50°C
- bowl: PC with PA bowl guard
- fixing: bayonet catch

accessories

type	part-number	description
BE.4 c	90004.0203	PC bowl closed with bowl guard and o-ring 55x2,5

Bowl | BG4



Image shows:
90004.0223

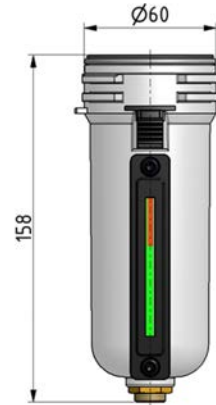


Image shows:
90004.0223

technical data

- supply pressure P1 min.: 0 bar
- supply pressure P1 max.: 16 bar
- temperature range: 0 - 50°C
- bowl: metal bowl with level indicator
- fixing: bayonet catch

accessories

type

BE.4 H c

part-number

90004.0223

description

Bowl metal/visual display closed and o-ring 55x2,5

Service 3 unit

Service 2 unit

Filterregler

Filter

Filter regulator

Lubricator

System extensions

Accessories

Special products

Oil bowl | BGO



Image shows:
9.9900.00.040

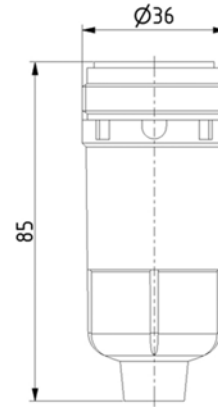


Image shows:
9.9900.00.040

Service 3 unit

Service 2 unit

Filterregler

Filter

Filter regulator

Lubricator

System extensions

Accessories

Special products

technical data

- supply pressure P1 max.: 12 bar
- temperature range: 0 - 50°C
- bowl: PC
- fixing: screw thread

accessories

type	part-number	description
L.00	9.9900.00.040	PC oil bowl with o-ring 30x2

Oil bowl | BGO



Image shows:
9.9900.00.041



Image shows:
9.9900.00.041

technical data

- supply pressure P1 max.: 12 bar
- temperature range: 0 - 50°C
- bowl: metal bowl
- fixing: screw thread

accessories

type	part-number	description
L.00 M	9.9900.00.041	Metal oil bowl black with o-ring 30x2

Service 3 unit

Service 2 unit

Filterregler

Filter

Filter regulator

Lubricator

System extensions

Accessories

Special products

Oil bowl | BG1



Image shows:
90001.0202

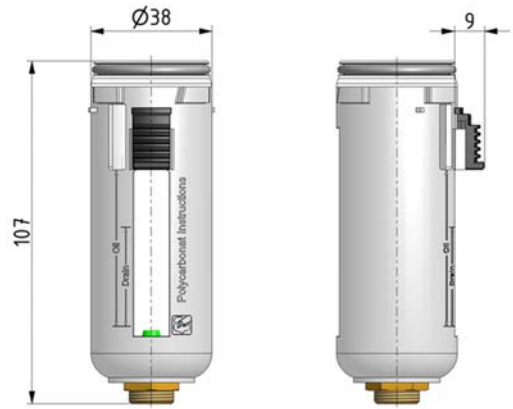


Image shows:
90001.0202

Service 3 unit

Service 2 unit

Filterregler

Filter

Filter regulator

Lubricator

System extensions

Accessories

Special products

technical data

- supply pressure P1 max.: 16 bar
- temperature range: 0 - 50°C
- bowl: PC with PA bowl guard
- fixing: bayonet catch

accessories

type	part-number	description
BE.1 LUB	90001.0202	PC oil bowl with bowl guard and o-ring 32x2,5

Oil bowl | BG1



Image shows:
90001.0206

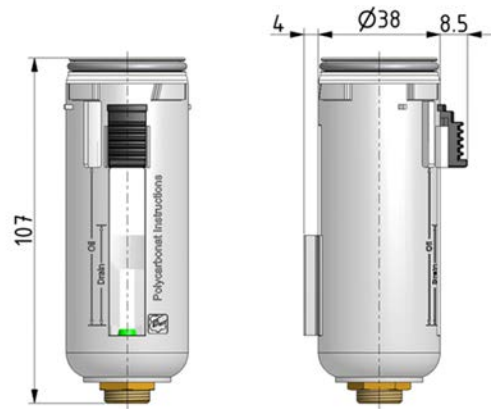


Image shows:
90001.0206

technical data

- supply pressure P1 max.: 16 bar
- temperature range: 0 - 50°C
- bowl: PC with PA bowl guard and electrical level controle
- fixing: bayonet catch

accessories

type

BE.1 LUB N

part-number

90001.0206

description

PC oil bowl with level sensor, bowl guard and o-ring 32x2,5

Service 3 unit

Service 2 unit

Filterregler

Filter

Filter regulator

Lubricator

System extensions

Accessories

Special products

Oil bowl | BG1



Image shows:
90001.0222

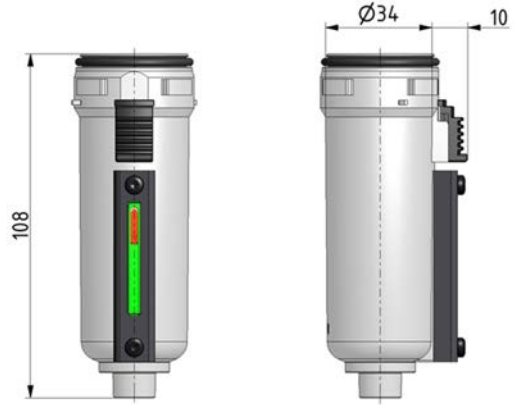


Image shows:
90001.0222

Service 3 unit

Service 2 unit

Filterregler

Filter

Filter regulator

Lubricator

System extensions

Accessories

Special products

technical data

- supply pressure P1 max.: 16 bar
- temperature range: 0 - 50°C
- bowl: metal bowl with level indicator
- fixing: bayonet catch

accessories

type	part-number	description
BE.1 H LUB	90001.0222	Oil bowl metal/visual display (light grey) with filling valve and o-ring 32x2,5

Oil bowl | BG2



Image shows:
90002.0202

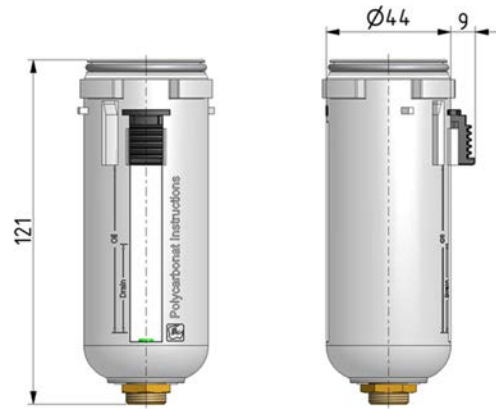


Image shows:
90002.0202

technical data

- supply pressure P1 max.: 16 bar
- temperature range: 0 - 50°C
- bowl: PC with PA bowl guard
- fixing: bayonet catch

accessories

type

BE.2 LUB

part-number

90002.0202

description

PC oil bowl with bowl guard and o-ring 37,5x2,5

Service 3 unit

Service 2 unit

Filterregler

Filter

Filter regulator

Lubricator

System extensions

Accessories

Special products

Oil bowl | BG2



Image shows:
90002.0206



Image shows:
90002.0206



Service 3 unit

Service 2 unit

Filterregler

Filter

Filter regulator

Lubricator

System extensions

Accessories

Special products

technical data

- supply pressure P1 max.: 16 bar
- temperature range: 0 - 50°C
- bowl: PC with PA bowl guard and electrical level controle
- fixing: bayonet catch

accessories

type	part-number	description
BE.2 LUB N	90002.0206	PC oil bowl with level sensor, bowl guard and o-ring 37,5x2,5

Oil bowl | BG2



Image shows:
90002.0222

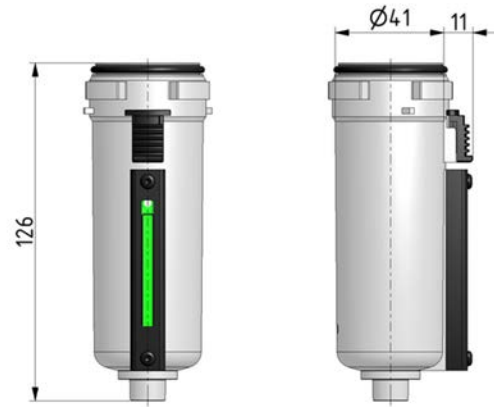


Image shows:
90002.0222

technical data

- supply pressure P1 max.: 16 bar
- temperature range: 0 - 50°C
- bowl: metal bowl with level indicator
- fixing: bayonet catch

accessories

type	part-number	description
BE.2 H LUB	90002.0222	Oil bowl metal/visual display (light grey) with filling valve and o-ring 37,5x2,5

Service 3 unit

Service 2 unit

Filterregler

Filter

Filter regulator

Lubricator

System extensions

Accessories

Special products

Oil bowl | BG4



Image shows:
90004.0202

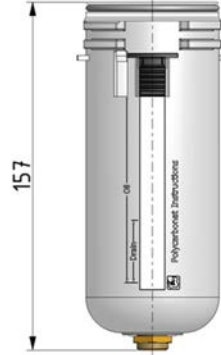


Image shows:
90004.0202



Service 3 unit

Service 2 unit

Filterregler

Filter

Filter regulator

Lubricator

System extensions

Accessories

Special products

technical data

- supply pressure P1 max.: 16 bar
- temperature range: 0 - 50°C
- bowl: PC with PA bowl guard
- fixing: bayonet catch

accessories

type	part-number	description
BE.4 LUB	90004.0202	PC oil bowl with bowl guard and o-ring 55x2,5

Oil bowl | BG4



Image shows:
90004.0206

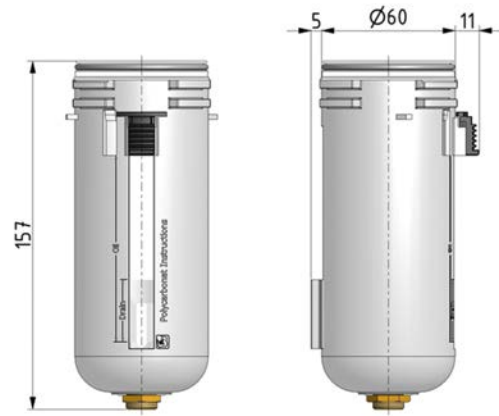


Image shows:
90004.0206

technical data

- supply pressure P1 max.: 16 bar
- temperature range: 0 - 50°C
- bowl: PC with PA bowl guard and electrical level controle
- fixing: bayonet catch

accessories

type

BE.4 LUB N

part-number

90004.0206

description

PC oil bowl with level sensor, bowl guard and o-ring 55x2,5

Service 3 unit

Service 2 unit

Filterregler

Filter

Filter regulator

Lubricator

System extensions

Accessories

Special products

Oil bowl | BG4



Image shows:
90004.0222

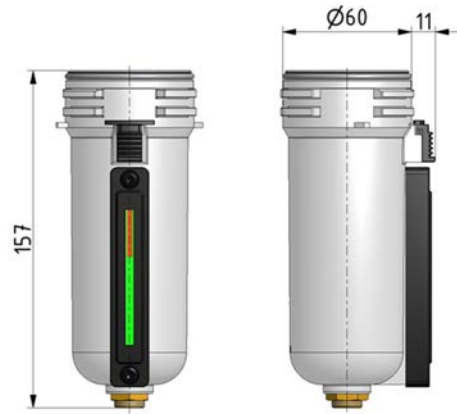


Image shows:
90004.0222

Service 3 unit

Service 2 unit

Filterregler

Filter

Filter regulator

Lubricator

System extensions

Accessories

Special products

technical data

- supply pressure P1 max.: 16 bar
- temperature range: 0 - 50°C
- bowl: metal bowl with level indicator
- fixing: bayonet catch

accessories

type	part-number	description
BE.4 H LUB	90004.0222	Oil bowl metal/visual display (light grey) with filling valve and o-ring 55x2,5

Differential pressure gauge | BG1, BG2, BG4



Image shows:
9.3700.00.850

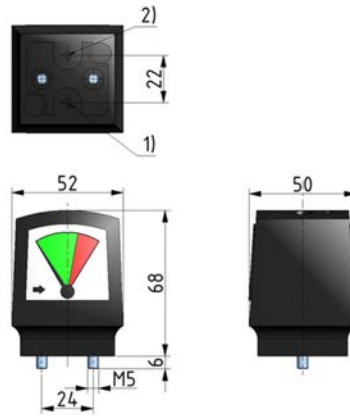


Image shows:
9.3700.00.850

technical data

- **description:** magnetic piston meter
- **temperature range:** 0 - 60°C
- **mounting:** vertical
- **case:** ULTRAMID plastic, black
- **scales:** white plastic, pressure = black, colour fields = green/red
- **scale range:** 0 - 0,5 bar
- **max. working pressure:** 16 bar

accessories

type	part-number	description
DM 2	9.3700.00.850	Differential pressure gauge scale ranges: 0-0,5bar

Service 3 unit

Service 2 unit

Filterregler

Filter

Filter regulator

Lubricator

System extensions

Accessories

Special products

Differential pressure gauge DM 2 D | BG1, BG2, BG4



Image shows:
9.3700.00.851

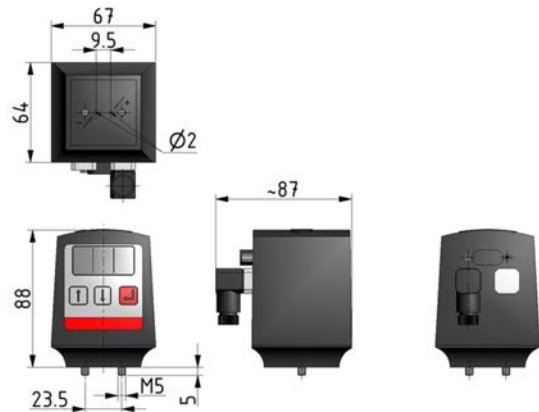


Image shows:
9.3700.00.851

Service 3 unit

Service 2 unit

Filterregler

Filter

Filter regulator

Lubricator

System extensions

Accessories

Special products

technical data

- **temperature range:** 0 - 60°C
- **mounting:** vertical
- **max. working pressure:** 16 bar
- **supply voltage:** 8 ... 15 V DC, 12 ... 24 V DC
- **average current drain:** circa 300 mA
- **connecting plug:** Hirschmann G30 W 3 F or rather 3,2 mm blade terminal
- **measuring zone:** 0,1 ... 1,0 bar, <0,1 bar display "Lo", >1 bar display "Hi"
- **calibration:** 0,35 bar
- **data logging:** all 0,1 second
- **update display:** all 5 second (averaging)
- **working range of pressure:** 2 - 16 bar
- **durability:** 1 .. 24 month - factory settings: 12 month
- **critical differential pressure:** 0,10 ... 1,00 bar - factory settings: 0,35 bar
- **pressure blow control:** on / off - factory settings: on
- **semantics:** bar / PSI - factory settings: bar
- **1. dry contact:** changeover contact (normally opened / closed), max. voltage: 220V DC / 250V AC, max. switching circuit: 1A, max. breaking capacity: 30W DC / 60VA AC, connecting plug: Hirschmann G 30W 3 F or rather 3,2 mm blade terminal
- **2. serial interface:** RS485 ASCII standard, connecting plug: 9- pin sub- D connector

accessories

type	part-number	description
DM 2 D	9.3700.00.851	Differential pressure gauge with two colour LED display, freely adjustable switch contact and serial interface, supply unit voltage 24 V

Pressure switch | BG1, BG2, BG4



Image shows:
9.90XX.00.005

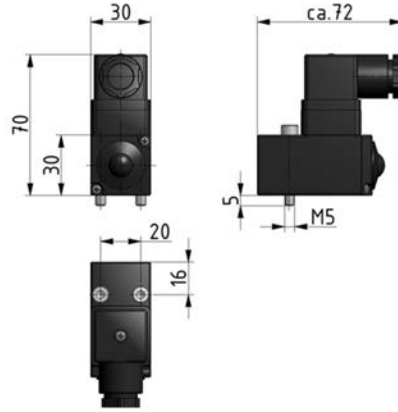


Image shows:
9.90XX.00.005

technical data

- **description:** diaphragm pressure switch
- **medium:** air, non corrosive gases fluids
- **temperature range:** -10°C - +80°C
- **protection class:** IP 65
- **electrical connection:** plug connection DIN 43650, form A
- **max. working pressure:** 0,5 - 10 bar (overpressure 80 bar)
- **switch difference:** 4% - 10%
- **switching element:** micro switch, one pole change
- **switch function at regulation value:** connect 1 - 3 contact normally closed; 1 - 2 contact normally open

accessories

type	part-number	description
PE.10	9.90XX.00.005	Pressure switch flange connection, 0,5-10 bar

Service 3 unit

Service 2 unit

Filterregler

Filter

Filter regulator

Lubricator

System extensions

Accessories

Special products

Pressure switch | BGO



Image shows:
9.901X.00.011

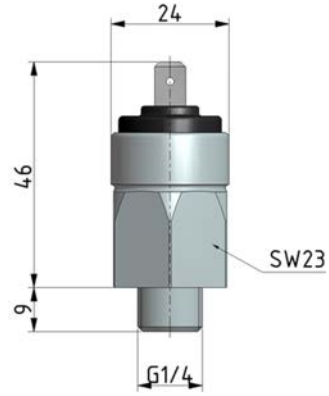


Image shows:
9.901X.00.011

Service 3 unit

Service 2 unit

Filterregler

Filter

Filter regulator

Lubricator

System extensions

Accessories

Special products

technical data

- **description:** diaphragm, spring loaded
- **medium:** air, non corrosive gases fluids
- **temperature range:** -30°C - +130°C
- **protection class:** IP 65, connect IP 00 DIN 40050
- **max. working pressure:** 1 - 10 bar (overpressure 100 bar)
- **Version:** usually opened
- **switch difference:** 10% - 15%
- **switching element:** contacts, silver plated
- **switch power:** 100 VA; 42 V; 2 A; 200/min

accessories

type	part-number	description
PE.110	9.901X.00.011	Pressure switch G1/4, 1-10 bar with protection cap (usually opened)
PE.111	9.901X.00.013	Pressure switch G1/4, 1-10 bar with protection cap (usually closed)

Pressure switch | --



Image shows:
9.900X.00.004

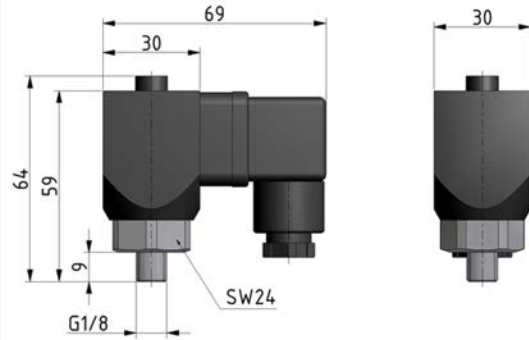


Image shows:
9.900X.00.004

technical data

- **description:** diaphragm, spring loaded
- **medium:** air, non corrosive gases fluids
- **temperature range:** -25°C - +85°C
- **protection class:** IP 65, connect IP 00 DIN 40050
- **max. working pressure:** 1 - 10 bar (overpressure 20 bar)
- **switch difference:** 15% - 25%
- **switching element:** micro switch, one pole change

accessories

type	part-number	description
PE.210	9.900X.00.004	Pressure switch G1/8, 1-10 bar

Service 3 unit

Service 2 unit

Filterregler

Filter

Filter regulator

Lubricator

System extensions

Accessories

Special products

Pressure switch | --



Image shows:
9.900X.00.006

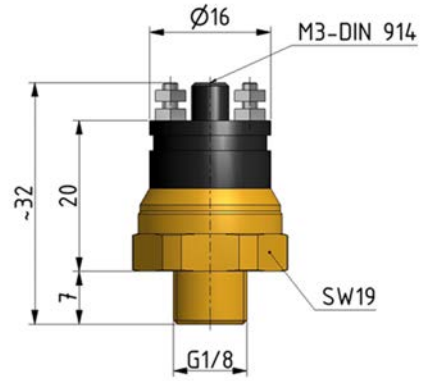


Image shows:
9.900X.00.006

technical data

- **description:** diaphragm, spring loaded
- **medium:** compressed air
- **temperature range:** -30°C - +130°C
- **protection class:** IP 00, protection cap IP 65
- **max. working pressure:** 1 - 10 bar (protected against overpressure to 15 bar)
- **Version:** usually opened
- **switch difference:** 10% - 15%
- **switching element:** contacts, silver plated
- **switch power:** 100 VA; 24 V

accessories

type	part-number	description
PE.310	9.900X.00.006	Pressure switch G1/8, 1-10 bar with protection cap

Service 3 unit

Service 2 unit

Filterregler

Filter

Filter regulator

Lubricator

System extensions

Accessories

Special products

Filter silencer | --



Image shows:
9.4033.00.700

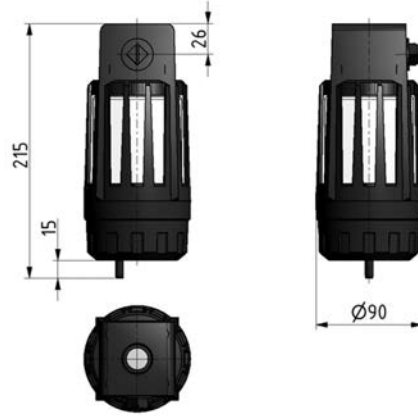
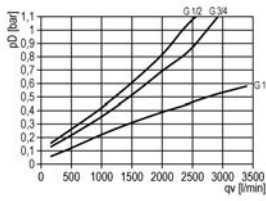
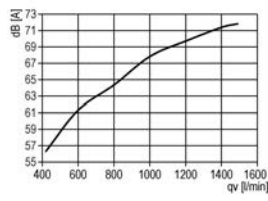


Image shows:
9.4033.00.700

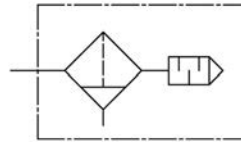
flow characteristic



noise expansion



symbol



technical data

- **description:** 3 graduated coalescence filter
- **supply pressure P1 max.:** 10 bar
- **temperature range:** 0 - 60°C
- **drain:** overflow for tube diameter inside ø6
- **mounting:** vertically, connection thread on the top and on the side
- **residual oil concent:** 0,01 mg/m³
- **filter efficiency:** 99,99%
- **reduction of noise:** circa 40 dB (A) (at P1 = 5 bar; Q = 2000 l/min and 1 m distance)
- **filter change:** min. once in a year

accessories

- Befestigungswinkel
BFSD.55-3

type	part-number	description
FSD.33	9.4033.00.700	Filter silencer G1/2
FSD.34	9.4034.00.700	Filter silencer G3/4

Service 3 unit

Service 2 unit

Filterregler

Filter

Filter regulator

Lubricator

System extensions

Accessories

Special products

Filter silencer | --



Image shows:
9.4055.00.700

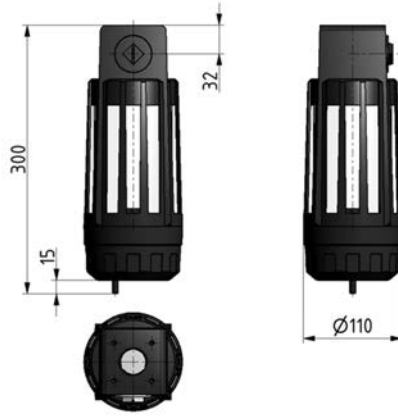
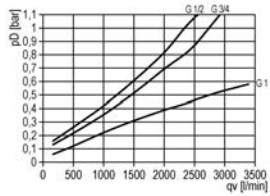
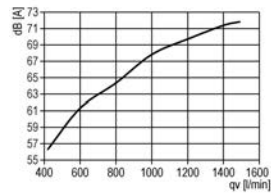


Image shows:
9.4055.00.700

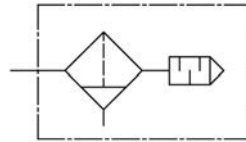
flow characteristic



noise expansion



symbol



technical data

- **description:** 3 graduated coalescence filter
- **supply pressure P1 max.:** 10 bar
- **temperature range:** 0 - 60°C
- **drain:** overflow for tube diameter inside ø6
- **mounting:** vertically, connection thread on the top and on the side
- **residual oil concent:** 0,01 mg/m³
- **filter efficiency:** 99,99%
- **reduction of noise:** circa 40 dB (A) (at P1 = 5 bar; Q = 2000 l/min and 1 m distance)
- **filter change:** min. once in a year

accessories

- Befestigungswinkel
BFSD.55-3

type	part-number	description
FSD.55	9.4055.00.700	Filter silencer G1

Automatic drain | --



Image shows:
9.3600.00.410/NC

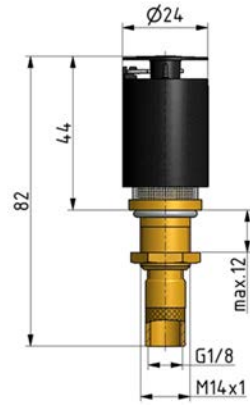


Image shows:
9.3600.00.410/NC

symbol



technical data

- **description:** float handled condensate drain (no bleed pressureless)
- **supply pressure P1 min.:** 1,5 bar
- **supply pressure P1 max.:** 16 bar
- **temperature range:** 0 - 50°C
- **fixing:** located within condensate bowl
- **mounting shaft:** ø14 mm
- **discharge connection:** G 1/8
- **function without pressure:** (P1 0 bar) valve closed

accessories

type	part-number	description
AM 10 NC	9.3600.00.410/NC	Automatic drain, p1= 1,5-16bar, usually closed
AM 10	9.3600.00.410/V	Automatic drain, p1= 1,5-16bar

Service 3 unit

Service 2 unit

Filterregler

Filter

Filter regulator

Lubricator

System extensions

Accessories

Special products

Condensate steam trap | BG2



Image shows:
93602.E000

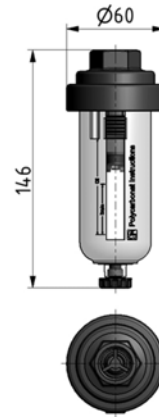
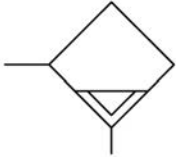


Image shows:
93602.E000

symbol



technical data

- **description:** condensation drain with auto drain
- **medium:** compressed air, neutral gases
- **supply pressure P1 min.:** 1,5 bar
- **supply pressure P1 max.:** 16 bar
- **bowl:** PC with PA bowl guard
- **drain:** HA
- **mounting:** vertical, drain down
- **fixing:** install in pipe line

accessories

Service 3 unit

Service 2 unit

Filterregler

Filter

Filter regulator

Lubricator

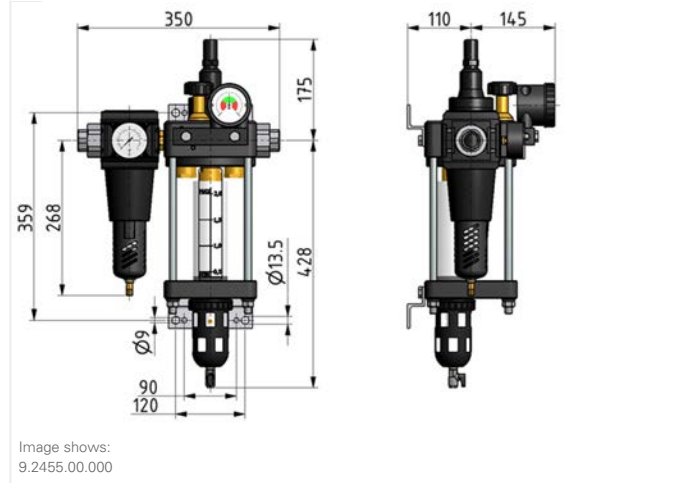
System extensions

Accessories

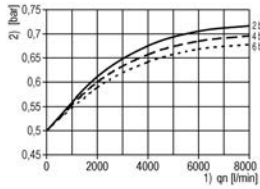
Special products

type	part-number	description
KA-212 HA4	93602.E000	Condensate steam trap G1/2 with PC bowl, bowl guard and semi automatic drain
KA-212 AM10	93602.E001	Condensate steam trap G1/2 with PC bowl, bowl guard and automatic drain
KA-212 AM/NC	93602.E002	Condensate steam trap G1/2 with PC bowl, bowl guard and automatic drain (usually closed)
KA-212 H AM10	93602.E003	Condensate steam trap G1/2 with metal bowl and automatic drain
KA-212 H AM/NC	93602.E004	
KA-212 H HA4	93602.E005	Condensate steam trap G1/2 with metal bowl and semi automatic drain

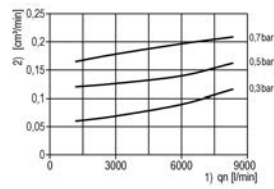
Central filter lubricator unit | --



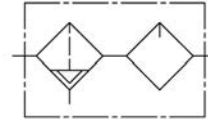
flow characteristic



oil mist activation



symbol



technical data

- **description:** differential pressure regulated central-lubricator
- **supply pressure P1 max.:** 10 bar
- **mounting:** vertical, drain down
- **fixing:** install in pipe line, mounting bracket
- **operating differential pressure area:** 0,3 - 1 bar
- **recommended operating differential pressure area:** 0,5 bar
- **bowl volume:** 2 l
- **flow range:** 80 - 7000 l/min
- **recommended oil viscosity:** 32 c St / 40°C
- **kind of oil:** CL 32 DIN 51517 - ISO VG 32
- **grade of filtration of prefilter:** 40 µm (absolutely)
- **oil most particle size:** 0,3 - 2 µm

accessories

- **mounting bracket:** [ZFL.55-22](#)
- **condensation drain:** [KA-212](#) [AM10](#)
- **fine filter silencer:** [FSD.33](#) + [FSD.34](#) + [FSD.55](#)

type	part-number	description
ZFL.55	9.2455.00.000	Central filter lubricator unit G1

Service 3 unit

Service 2 unit

Filterregler

Filter

Filter regulator

Lubricator

System extensions

Accessories

Special products

Central filter lubricator unit | --



Image shows:
9.2488.00.000

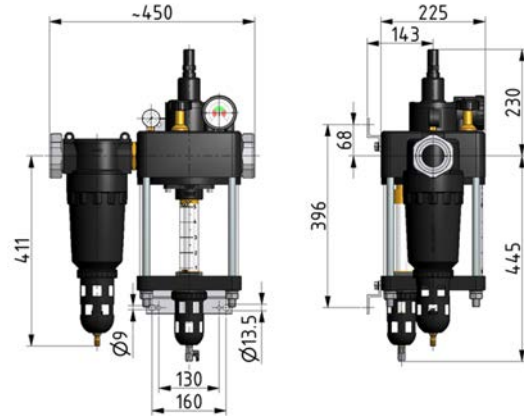
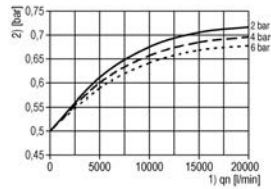
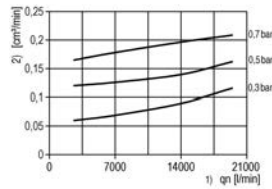


Image shows:
9.2488.00.000

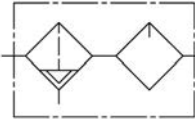
flow characteristic



oil mist activation



symbol



technical data

- **description:** differential pressure regulated central-lubricator
- **supply pressure P1 max.:** 10 bar
- **mounting:** vertical, drain down
- **fixing:** install in pipe line, mounting bracket
- **operating differential pressure area:** 0,3 - 1 bar
- **recommended operating differential pressure area:** 0,5 bar
- **bowl volume:** 5 l
- **flow range:** 250 - 20000 l/min
- **recommended oil viscosity:** 32 c St / 40°C
- **kind of oil:** CL 32 DIN 51517 - ISO VG 32
- **grade of filtration of prefilter:** 60 µm (absolutely)
- **oil most particle size:** 0,3 - 2 µm

accessories

- mounting bracket: ZFL.88-34



- condensation drain: [KA-212](#) + [AM10](#)



- fine filter silencer: [FSD.33](#) + [FSD.34](#) + [FSD.55](#)

type	part-number	description
ZFL.88	9.2488.00.000	Central filter lubricator unit G2
ZFL.88 N	9.2488.00.002	Central filter lubricator unit G2 with electrical level control, without switching electronics

Regulator plate ISO | ISO 1

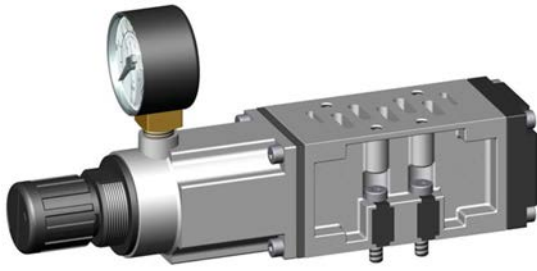


Image shows:
9.1811.00.400

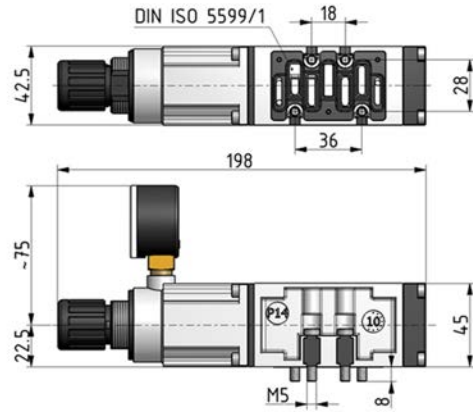
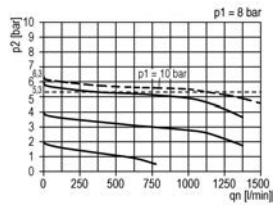
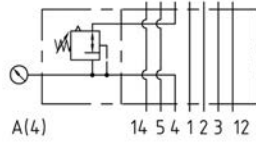


Image shows:
9.1811.00.400

flow characteristic



symbol



technical data

- **description:** air line regulator with diaphragm and relieving feature
- **supply pressure P1 max.:** 16 bar
- **temperature range:** 0 - 50°C
- **fixing:** about connection plate
- **series:** ISO 1
- **regulation:** A
- **port size:** regulation on 4 according to VDMA 24563

accessories

- gauge on the back



- gauge vertical: [G 40.10/16 S](#)

- adapter for gauge with rear connection: ISO.1-12

type	part-number	description
ISO.1 A	9.1811.00.400	Regulator plate ISO.1 (regulating at 4) 0,5-12
ISO.1 A GS	9.1811.00.401	Regulator plate ISO.1 (regulating at 4) 0,5-12 with gauge G 40.10/16 S
ISO.1 B	9.1811.00.600	Regulator plate ISO.1 (regulating at 2) 0,5-12
ISO.1 B GS	9.1811.00.601	Regulator plate ISO.1 (regulating at 2) 0,5-12 with gauge G 40.10/16 S
ISO.1 AB	9.1811.00.800	Regulator plate ISO.1 (regulating at 4/2) 0,5-12

Regulator plate ISO | ISO 1

Service 3 unit

Service 2 unit

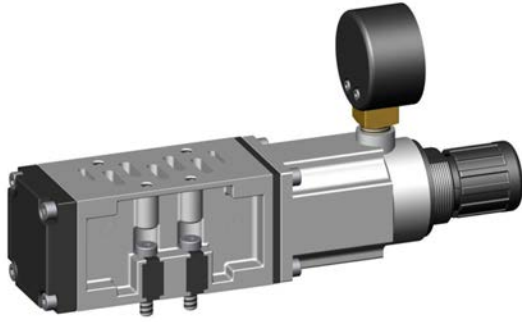


Image shows:
9.1811.00.000

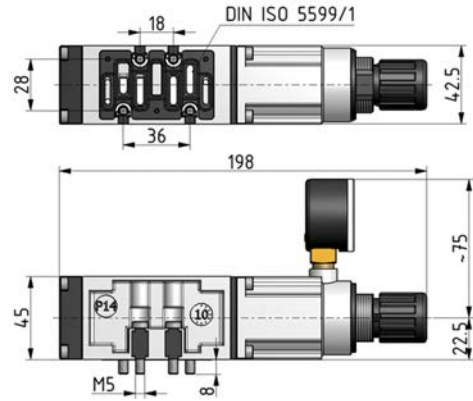
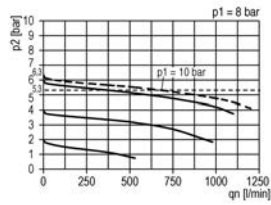


Image shows:
9.1811.00.000

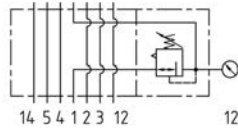
Filterregler

Filter

flow characteristic



symbol



Filter regulator

Lubricator

technical data

- **description:** air line regulator with diaphragm and relieving feature
- **supply pressure P1 max.:** 16 bar
- **temperature range:** 0 - 50°C
- **fixing:** about connection plate
- **series:** ISO 1
- **regulation:** P 12
- **port size:** regulation on 12 according to VDMA 24563

accessories

- gauge on the back



- gauge vertical: [G 40.10/16 S](#)

- adapter for gauge with rear connection: ISO.1-12

System extensions

Accessories

Special products

type	part-number	description
ISO.1 P12	9.1811.00.000	Regulator plate ISO.1 (regulating at 1) 0,5-12
ISO.1 P12 G	9.1811.00.001	Regulator plate ISO.1 (regulating at 1) 0,5-12 with gauge G 40.10/16 S
ISO.1 P14	9.1811.00.200	Regulator plate ISO.1 (regulating at 1) 0,5-12

Volumetric flow meter | BG2



Image shows:
94062.0080

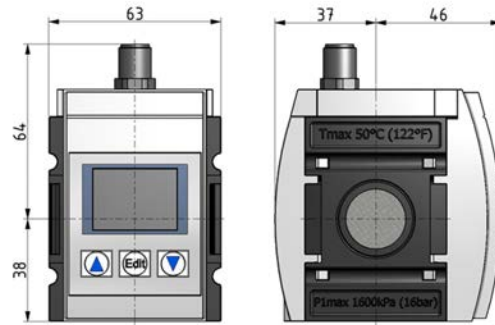
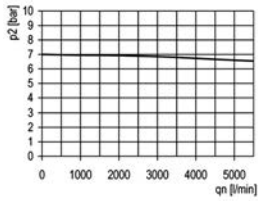
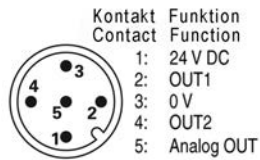


Image shows:
94062.0080

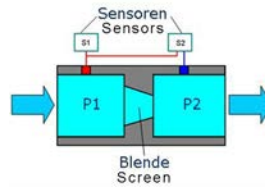
flow characteristic



plug assignment



symbol



technical data

- **description:** flow sensor
- **medium:** compressed air, neutral gases
- **supply pressure P1 max.:** 16 bar
- **temperature range:** 0 - 50°C
- **voltage:** 24 V =
- **el. power (d.c. voltage):** 1 - 2,5 W
- **el. power (a.c. voltage):** 3 VA
- **protection class:** IP 65 according to DIN 40050
- **electrical connection:** M12x1 5-pins
- **2 switching outputs:** PNP / NPN
- **air quality class:** 5:4:3 according to ISO 8573-1 : 2010

accessories

- **coupling kit wall mounting:** G 3/8 (KOP-238K); G 1/2 (KOP-212K); G 3/4 (KOP-234K)



- **mounting bracket:** [KBW.2-1225](#)

- **angled line socket:** M12x1 5-pins with injection moulded cable 5 m ZG.0-251

- **analysis package DDM-2**

type	part-number	description
KDDM-2	94062.0080	Volumetric flow meter Q: 200-5000 l/min, 0-10 V
KDDM-2	94062.0081	Volumetric flow meter Q: 150-2000 l/min, 0-10 V
KDDM-2	94062.0082	Volumetric flow meter Q: 200-5000 l/min, 4-20 mA
KDDM-2	94062.0083	Volumetric flow meter Q: 150-2000 l/min, 4-20 mA

Service 3 unit

Service 2 unit

Filterregler

Filter

Filter regulator

Lubricator

System extensions

Accessories

Special products

KNOCKS

Manufacturer competence
for filter, lubricator and
regulator technology in
compressed-air conditioning.

www.knocks.de

Our two further product series for even more solutions to problems.

MULTI-FIX FIT FOR MAXIMUM PERFORMANCE

Peak performance and up-to-date handling advantages are incisive characteristics of the Multi-Fix series.

- High temperature stability
- Patented modular system
- Material: die-cast zinc

STANDARD FOR THE TOUGHEST REQUIREMENTS

Robust, solid and extremely tough, the Standard series has proven itself in tough everyday practice.

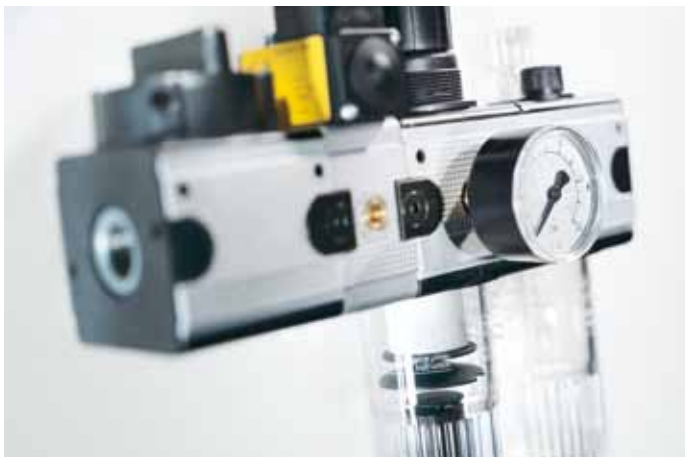
- Ideal for high pressure ranges
- Ideal for large dimensions (up to 3 inches) and higher flow rate volumes
- High shock resistance
- Material: die-cast zinc, die-cast aluminium

Multi-Fix series

Weight = medium
Modularity = high
Temperature stability = -25 °C (optionally possible: -40 °C) +60 °C
Pressure monitoring = possible
Micro-filter monitoring = partially possible

Standard series

Weight = high
Modularity = not available
Temperature stability = -25 °C +60 °C
Pressure monitoring = possible
Feinstfilterüberwachung = not possible



More in the Internet at: www.knocks.de



More in the Internet at: www.knocks.de

Meets the highest requirements. Guaranteed.

QUALITY THAT LIVES UP TO WHAT WE PROMISE.

In the face of increasing globalisation, quality and quality assurance have taken on a new significance. And at KNOCKS, you can count on the following:

- Receiving inspections with computer-assisted optical measurement and error analysis
- Fully automatic functional and leakage testing with statistic evaluation of the test data
- The company is certified according to DIN ISO 9001:2000

We test the quality of our products using a stringent system which allows us to guarantee the continuous quality of our products to our customers. Always proper, always honest – and always official.

And everything is made in Germany! This allows us to maintain full control over all development and manufacturing steps in accordance with German and European standards. This has been our quality promise for 40 years!

In the modern high-rack warehouse system, everything is oriented on the reliable processing of your orders. Some 3,100 pallet spaces and 7,000 storage spaces for smaller parts ensure fast and continual availability. Whatever you need – we always have it ready for delivery!



Reg.-Nr.:
062319 QM



Quality management: with fingertip instincts.



Our warehouse: designed for the quickest delivery.

Special developments, custom-made in Germany.

YOUR REQUIREMENTS ARE OUR STANDARD.

Do you have a problem that requires a special solution? Simply delegate this task to our developers! Our high-performance engineering team can design innovative technologies for you which are guaranteed to be 100% compatible with your requirements.

We build on comprehensive expertise in developing forward-looking series and patented technologies.



- Well-founded expertise in the 3-D area
- State-of-the-art CAD systems

This allows your requirements to quickly take shape.



Our engineering department: always state-of-the-art.

Your desired KNOCKS product? The Finder in the Internet knows all of them.

BETTER A QUICK FIND THAN A LENGTHY SEARCH.

In just a few clicks you, you can find the devices you need for compressed-air conditioning in the Internet. At our address www.knocks.de you can activate our new selection tool in the main navigation bar under the point "Productfinder".

By answering the list of questions in a targeted manner, the hit list can be refined. The corresponding data sheet can be generated from this hit list (taking the gross price into account). A contact form for special solutions rounds off our complete solution for all possible customer requests.



Naturally, you can also find all Futura products online.

DIPRAX
PROYECTOS Y
AUTOMATISMOS
GENERALES



+34 943 377 740



info@diprax.es



www.diprax.es

Polígono Industrial Belartza, Gurutzegi Kalea, 17 Pab. D4 y D5, 20018 San Sebastián-Donostia