



# BOMBAS HIDRÁULICAS DE BATERÍA INALÁMBRICA

Series  
**FPT BATT**



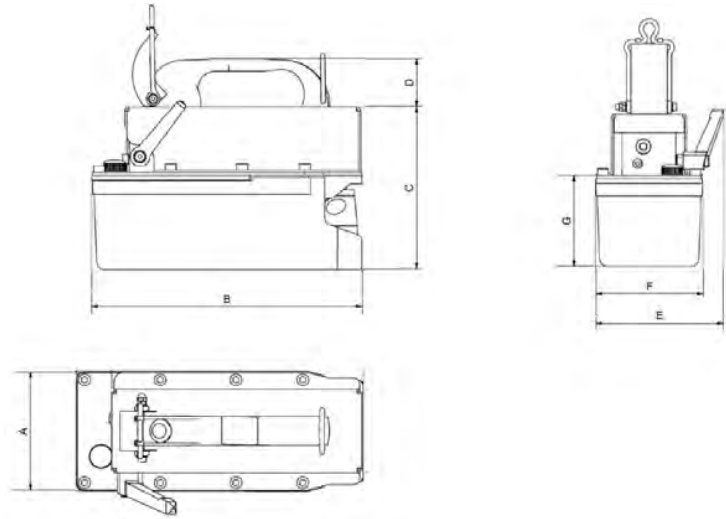
Super light and portable  
**CUSTOM HYDRAULIC PUMPS ON REQUEST**



- Battery powered pump for operating single acting cylinders and tools.
- Cordless Battery Hydraulic Pumps with double stage configuration to maximize efficiency during operations.
- Battery powered: light, portable and equipped with shoulder strap for maximum Handling.
- Start button is located on the handle for easy use.
- The battery is lithium ion. Battery and battery charger are accessories that can be ordered separately.
- The optimal temperature range is 15 ° C ÷ 40 ° C. The oil to be used is ISO VG-10 mineral hydraulic.

## FPT BATT

700 bar  
Double stage Battery  
powered  
0,6 and 1 l • oiltank



## FPT BATT

### CORDLESS BATTERY HYDRAULIC PUMPS SERIES FPT-BATT

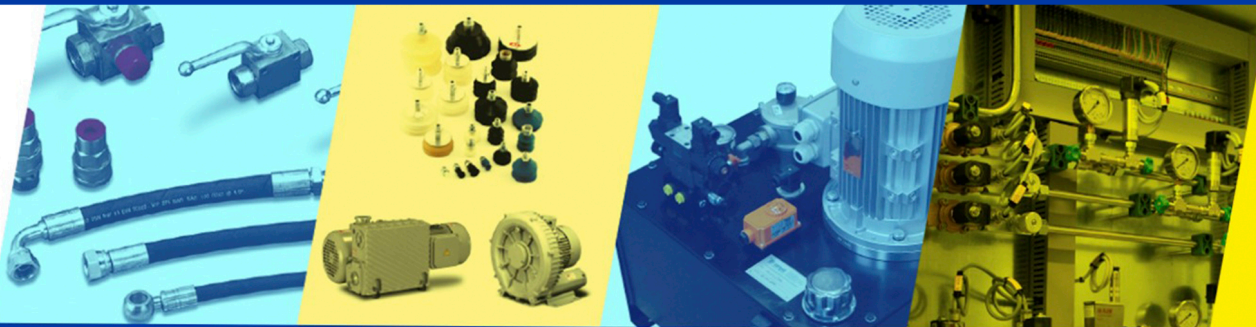
MODEL	DESCRIPTION	PRESSURE 1°- 2° STAGE	FLOW 1°- 2° STAGE	MOTOR	BATTERY	TANK CAPACITY	DIMENSION (mm)							OIL OUTLET	WEIGHT
		bar	l/min				liters	A	B	C	D	E	F		
31FPT-BATT0,6SE	Cordless Battery pump including battery and battery charger	20 / 700	0,7 / 0,06	14,4 V - 199 W	14,4 V - 4 Ah	0,6	102	242	148	43	122	102	88	3/8" NPT	4,5
31FPT-BATT1,0SE		20 / 700	0,7 / 0,06			1									292

### PRODUCTS

MODEL	DESCRIPTION	TANK CAPACITY
		liters
31FPT-BATT0,6SE	Cordless Battery pump including battery and battery charger	0,6
31FPT-BATT1,0SE		1
31FPTBATT0,6SEN	Cordless Battery pump without battery and battery charger	0,6
31FPTBATT1,0SEN		1
31CARICBATT14V	Battery charger for 14,4 V lithium battery	/
31BATT14,4-4,0	14,4 V – 4,0 Ah lithium battery	/



**DIPRAX**  
PROYECTOS Y  
AUTOMATISMOS  
GENERALES



+34 943 377 740



info@diprax.es



www.diprax.es

Polígono Industrial Belartza, Gurutzegi Kalea, 17 Pab. D4 y D5, 20018 San Sebastián-Donostia